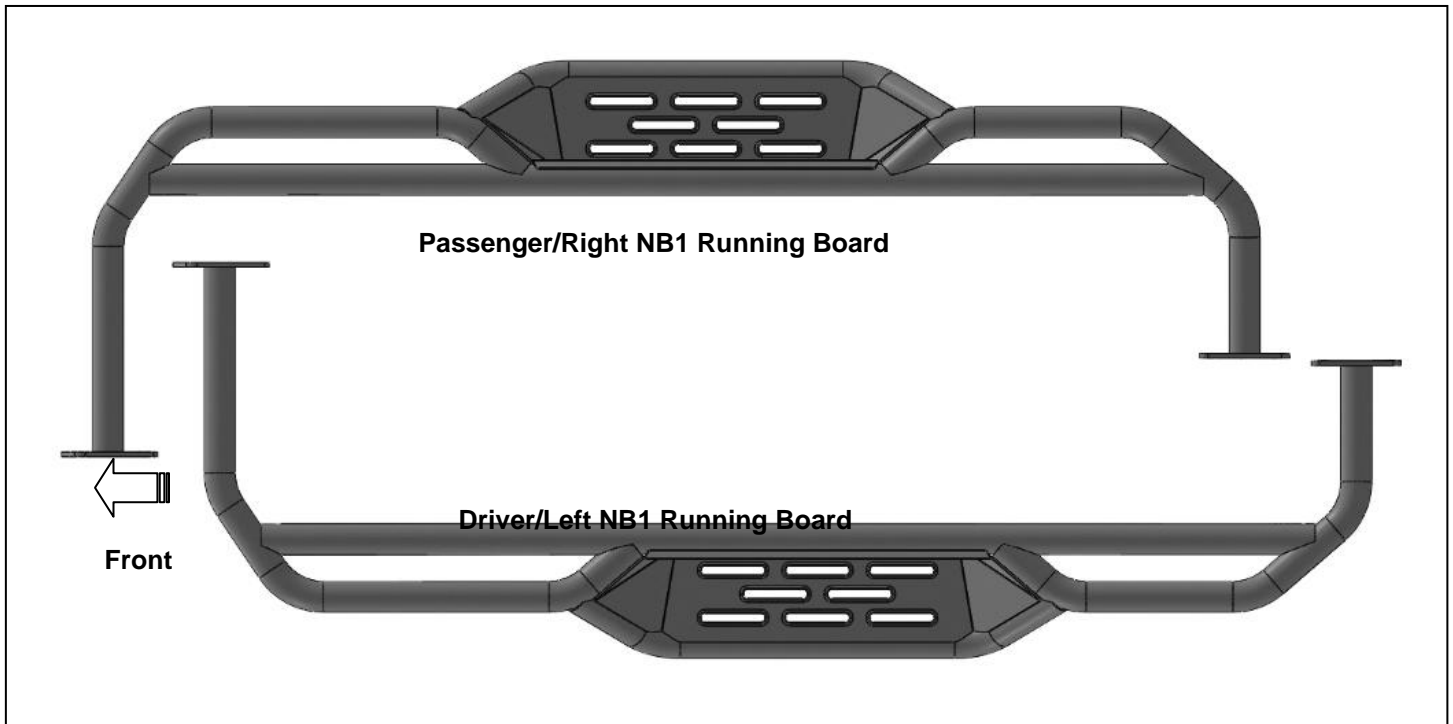


PARTS LIST:

1	Driver/Left NB1 Running Board
1	Passenger/Right NB1 Running Board
16	3/8" x 1" Self Tapping Flange Bolts



PROCEDURE:

- 1. REMOVE CONTENTS FROM BOX. VERIFY ALL PARTS ARE PRESENT. READ INSTRUCTIONS CAREFULLY. FACTORY INSTALLED OR AFTERMARKET SIDE PRODUCTS MUST BE REMOVED. ASSISTANCE IS HIGHLY RECOMMENDED. DRILLING IS REQUIRED.**
2. Start on the Driver/Left side of the vehicle. Select the Driver/Left NB1 Running Board.
3. With assistance, hold the Running Board up in position against the side of the frame, **(Figure 1)**. Locate the flat areas of the frame in front of the front body mount and behind the rear body mount. Make sure that the Running Board is level to the vehicle, not the ground, and that there is at least a 1/2" gap between the front and rear of the Running Board and the bottom of the body. **NOTE:** Use stands, blocks or jacks to help hold the Running Board level against the side of the frame and body.
4. Mark the front and rear hole locations onto the side of the frame, **(Figures 1 & 2)**. **IMPORTANT:** Check the frame for any obstructions before drilling through outside of frame. Do not drill too close to the top or bottom edge of the frame.
5. Use a center punch to mark the center of the (8) hole locations. Start with a drill bit a few sizes smaller and gradually work up to the final size of **5/16"**.
6. Attach the mounting plates on the Running Board to the drilled holes with (8) 3/8" Self Tapping Hex Bolts. Do not tighten hardware.
7. Level and adjust the Running Board and tighten all hardware.
8. Repeat **Steps 2—7** to attach the Passenger/Right NB1 Running Board.
9. Do periodic inspections to the installation to make sure that all hardware is secure and tight.

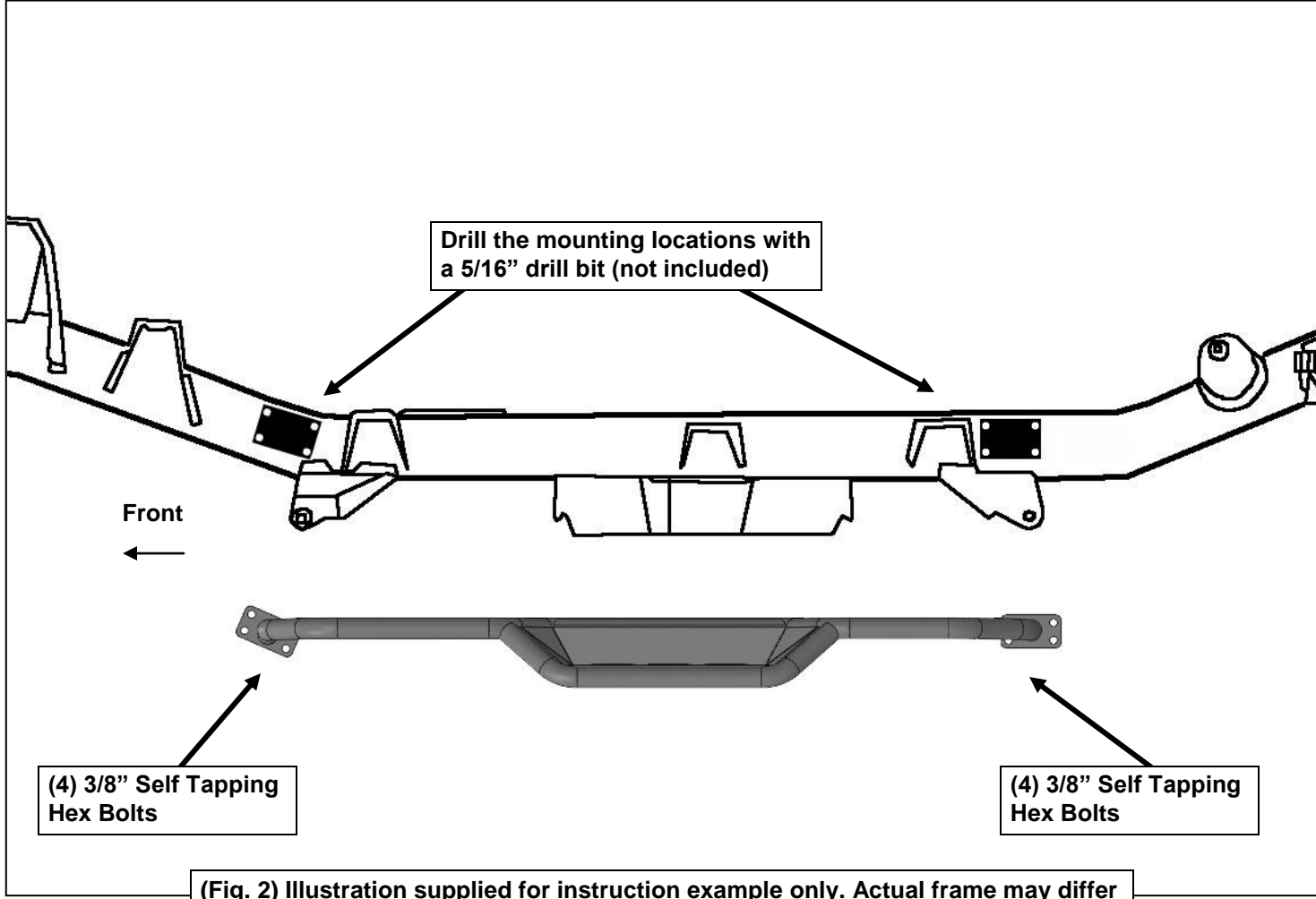
To protect your investment, Do not use any type of polish or wax that may contain abrasives that could damage the finish. Mild soap may be used to clean the Running Boards.

Driver/Left Side Installation Pictured



Hold the Running Board up to the side of the frame and level to the body. Mark the mounting holes onto the side of the frame

Fig. 1



(Fig. 2) Illustration supplied for instruction example only. Actual frame may differ