

# INSTALL INSTRUCTIONS FOR 75-5129

**PART#: 75-5129 / 75-5129D**



PRINT

## Vehicle Application

YEAR: 2018-2021

MAKE: Jeep

MODEL: Wrangler

ENGINE: 2.0L Turbo

## Tools Required

8mm Socket/Ratchet

10mm Socket/Ratchet

10mm Wrench

Panel Popper

Adjustable Crescent Wrench

Phillips Screwdriver

Scissors

Heavy Duty Wire Cutters

Approximate Install Time: 1 Hr 00 Mins

## S&B Filter Maintenance

KF-1057 ([https://www.sbfilters.com/replacement-filters/filters-sb-intakes/kf-1057?variant\\_id=223](https://www.sbfilters.com/replacement-filters/filters-sb-intakes/kf-1057?variant_id=223)) Cotton Cleanable : If the enclosed filter is RED, it came pre-oiled from the factory.

KF-1057D ([https://www.sbfilters.com/replacement-filters/filters-sb-intakes/kf-1057?variant\\_id=224](https://www.sbfilters.com/replacement-filters/filters-sb-intakes/kf-1057?variant_id=224)) Dry Extendable : If the enclosed filters is WHITE, it is a disposable filter and should be discarded once it reaches capacity. This filter does not require oil.

## **CARB Status - Pending**

CARB EO # Pending

\*Not Legal for use in CA and other states adopting CA emissions Standards.

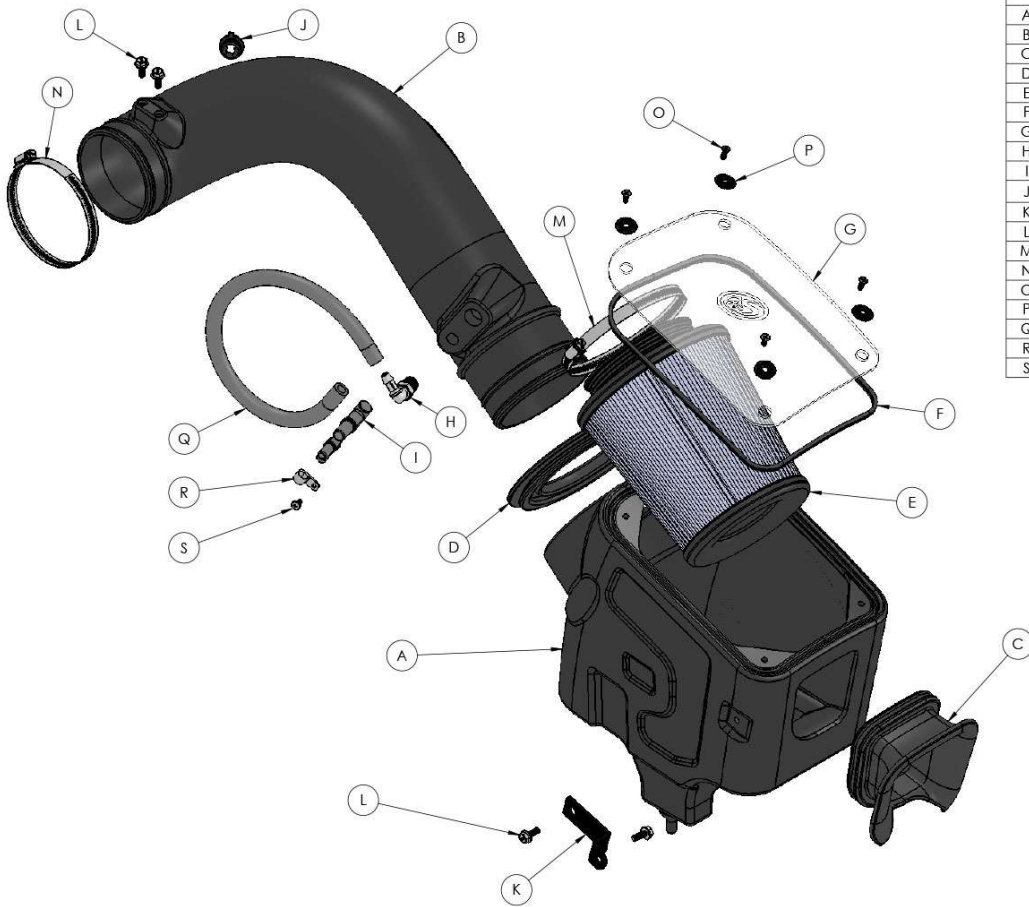
## **Before You Start**

- Please read the entire product guide before proceeding.
- Ensure all parts are present.
- If you are missing any of the components, call our customer support at (909) 947-0015.
- Do not work on your vehicle while the engine is hot.
- Make sure the engine is turned off and the vehicle is in Park or the Parking Brake is set.

## **Related Products**

- Cotton Cleanable Filter  
(KF-1057 ([https://www.sbfilters.com/replacement-filters/filters-sb-intakes/kf-1057?variant\\_id=223](https://www.sbfilters.com/replacement-filters/filters-sb-intakes/kf-1057?variant_id=223)))
- Dry Extendable Filter (  
KF-1057D ([https://www.sbfilters.com/replacement-filters/filters-sb-intakes/kf-1057?variant\\_id=224](https://www.sbfilters.com/replacement-filters/filters-sb-intakes/kf-1057?variant_id=224)))
- Filter Wrap for KF-1057 (WF-1057 (<https://www.sbfilters.com/filter-wraps/wf-1057>))
- Cleaning & Oiling Kit (88-0008 (<https://www.sbfilters.com/cleaning-kits/precision-ii-cleaning-oil-kit>))

# **PARTS LIST**



ITEM	PART NUMBER	DESCRIPTION	QTY
A	AL339B-00	INTAKE BOX	1
B	AL1343-00	INTAKE TUBE	1
C	AI2108C-00	FENDER SEAL	1
D	AI1650C-00	TUBE SEAL	1
E	KF-1057	AIR FILTER	1
F	AI1766-07	LID SEAL, 31"	1
G	AI2120-00	CLEAR LID	1
H	AI2382-00	90° FITTING, 3/8" HOSE TO 3/8" NPT	1
I	AI2378-00	EVAP FITTING	1
J	AI1948C-00	IAT SENSOR GROMMET	1
K	AI2113-CT	INTAKE BOX SUPPORT BRACKET	1
L	AI2014-00	BOLTS, FLANGE, M6 X 16 mm	4
M	AG1010-00	HOSE CLAMP #80	1
N	AG1018-01	HOSE CLAMP #64	1
O	AI2005-00	LID SCREW, #10-24	4
P	AI2006-00	LID WASHER, #10	4
Q	AI1037-07	HOSE, 3/8" ID X 19" LG	1
R	AI2380-00	CABLE CLAMP, 3/8"	1
S	AI1044-00	#10-24 X 3/8" SCREW	1

## INSTALLATION STEPS



## STEP 1

With the ignition switched off and the parking brake set. Disconnect the negative battery cable on the passenger side.

**IMPORTANT: Failure to disconnect the battery for a minimum of 2 hours may cause the Check Engine Light to illuminate upon completion of the installation or subsequent operation. DO NOT SKIP THIS STEP!**

Warning!: The Jeep JL's have a smaller secondary battery underneath the main battery and fuse box. This battery will remain connected during the install so keep in mind that the wires are still live when working on your vehicle.

**Tools Required:** Ratchet, 10mm Socket/Wrench



## **STEP 2**

Remove the two EVAP tubes from the stock airbox by pressing down on the grey plastic retainer clips and pulling the tube fittings away from the stock airbox.





### **STEP 3**

Disconnect the IAT electrical harness from the IAT sensor by pressing down on the locking tab and pulling off the IAT sensor connector.



## STEP 4

Disconnect the IAT harness clip from the stock intake tube.

Tools Required: Panel Popper



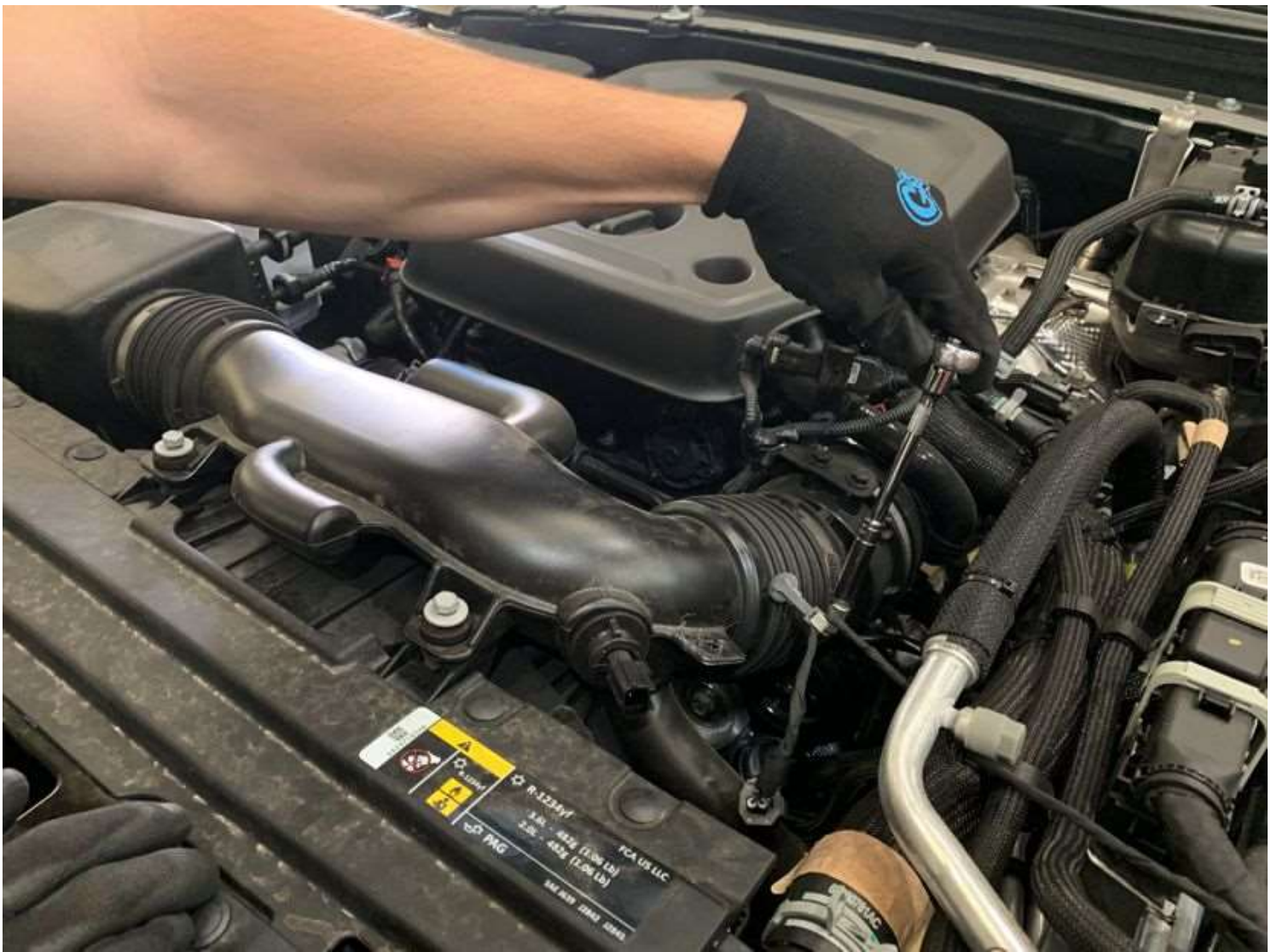


## **STEP 5**

Remove the two bolts securing the stock intake tube to the fan shroud.

**Tools Required:** Ratchet, 10mm Socket/Wrench





## STEP 6A

Loosen the hose clamp securing the stock intake tube to the turbo resonator.

Tools Required: Ratchet, 8mm Socket/Wrench



## **STEP 6B**

Loosen the hose clamp securing the stock intake tube to the intake air box, then remove the stock intake tube from the vehicle.

**Tools Required:** Ratchet, 8mm Socket/Wrench





## **STEP 7**

Remove the bolt securing the stock intake box to the fender.

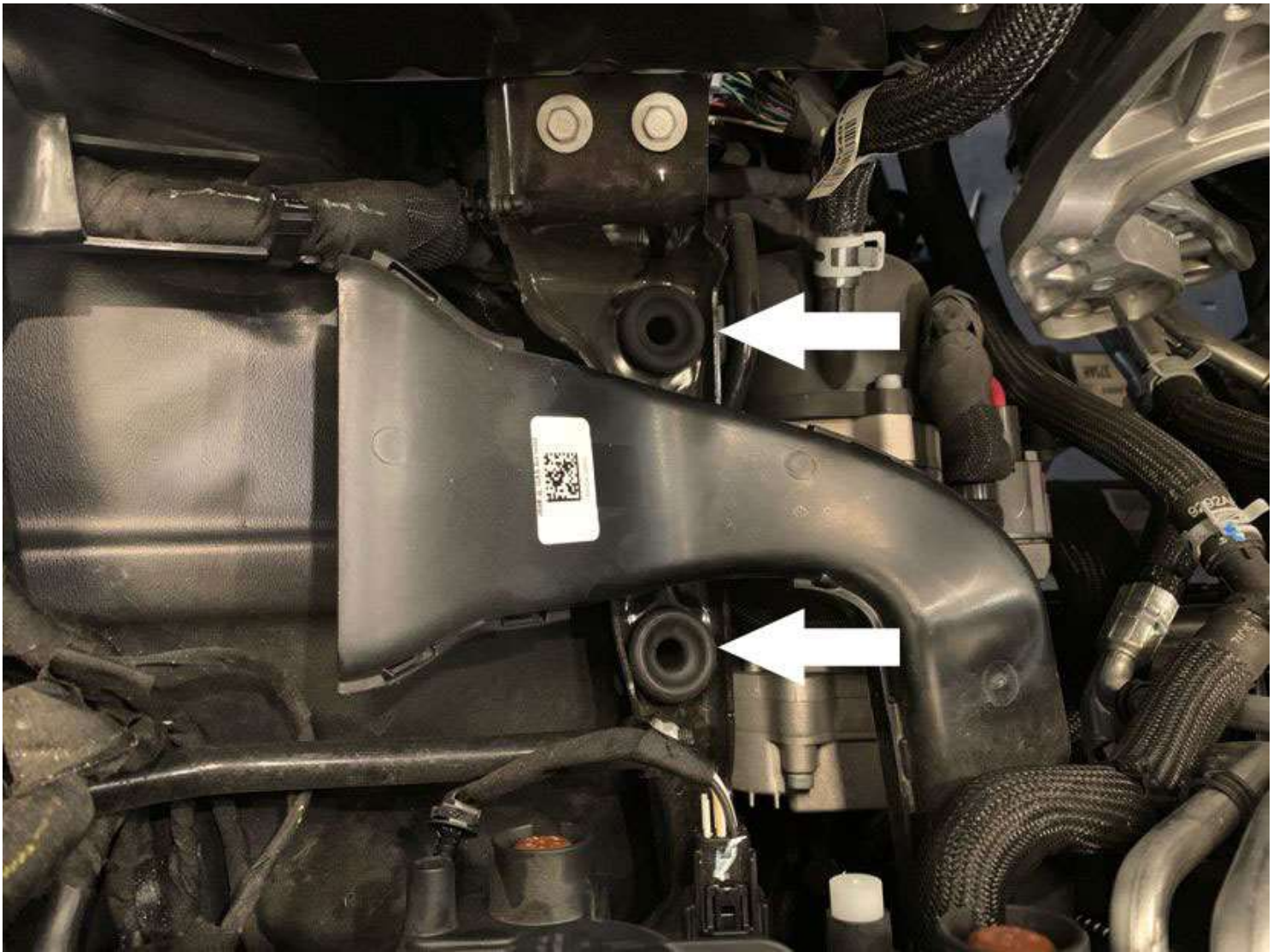
**Tools Required:** Ratchet, 10mm Socket/Wrench





## STEP 8

Lift the stock intake box to unseat the prongs from the grommets then remove the stock intake box from the vehicle.



## STEP 9

Check to make sure the two grommets are still in place in the vehicle. If they are missing, they were probably removed with the stock intake box. If the grommets came out of the vehicle with the stock intake box, remove the grommets from the stock intake box and reinstall into the vehicle.





## **STEP 10**

Remove the bolt, closest to the fender, from the battery tray bracket.

**Tools Required:** Ratchet, 10mm Socket/Wrench





## STEP 11

Remove the two bolts securing the wire harness bracket to the turbo resonator chamber.

**Tools Required:** Ratchet, 10mm Socket/Wrench



## **STEP 12**

Disconnect the clip securing the wire harness to the turbo resonator.

Tools Required: Panel Popper





## **STEP 13A**

Remove the crimp/ear hose clamp, securing the turbo resonator chamber to the turbo coupler, by cutting through the “ear” of the hose clamp.

**Tools Required:** Heavy Duty Wire Cutters





## **STEP 13B**

Remove the turbo resonator from the vehicle.



## **STEP 14**

Install the IAT Sensor Grommet (J) into the Intake Tube (B).





## STEP 15A

Notice the position of the IAT sensor on the stock intake tube. Turn the sensor counterclockwise to unlock, then pull out.





## **STEP 15B**

Install the IAT sensor into the Intake Tube (B). Make sure the sensor is installed in the same position as the stock intake tube.



## **STEP 16A**

Install the 90° Fitting, 3/8" Hose to 3/8" NPT (Item H) into the tube finger tight. Then using a wrench, turn it at least one full rotation, then turn it to so that it is pointing in the direction shown.



## **STEP 16B**

Install the plastic Cable Clamp, 3/8" (Item R) on to the EVAP Fitting (Item I) as shown. Be sure to install it in the correct orientation.





## STEP 16C

Insert the #10-24 X 3/8" Screw (Item S) through the Cable Clamp, 3/8" (Item R), and into the tube. Position the EVAP Fitting (Item I) as shown and tighten the screw. Install the Hose 3/8" ID X 19" LG (Item Q) on to the 90° Fitting and EVAP Fitting as shown.



## STEP 17

Install the Tube Seal (D) onto the Intake Box (A).



## STEP 18

Install the Fender Seal (C) onto the Intake Box (A).





## STEP 19

Install the Lid Seal (F) into the groove on top of the Intake Box (A). Cut away any excess lid seal.

Tools Required: Scissors



## STEP 20

Install and tighten the Bracket (K) with the M6 Bolt (L) and M6 Washer (Q) onto the Intake Box (A). Do not overtighten.

**Tools Required:** Ratchet, 10mm Socket/Wrench





## STEP 21

Install the Intake Box (A) into the vehicle, making sure the prongs align with the two grommets, then push down on the intake box to fully seat the prongs.





## **STEP 22**

Position the Fender Seal (C) up against the fender then secure the Bracket (K) to the battery tray bracket with a supplied M6 Bolt (L). Do not overtighten.

**Tools Required:** Ratchet, 10mm Socket/Wrench



## **STEP 23**

Place the supplied #64 Hose Clamp (N) onto the turbo coupler, do not tighten.





## **STEP 24A**

Install the Intake Tube (B) into the Intake Box (A) at an upward angle.





## **STEP 24B**

Rotate the Intake Tube (B) downward and install into the turbo coupler.



## STEP 24C

Once the Intake Tube is installed into the turbo coupler, tighten the #64 Hose Clamp (N). Do not overtighten.

**Tools Required:** Ratchet, 8mm Socket/Wrench





## **STEP 25**

Install the wire harness bracket onto the Intake Tube (B) with the M6 Bolts (L).

**Tools Required:** Ratchet, 10mm Socket/Wrench





## STEP 26

Connect the IAT electrical harness into the IAT sensor.



## **STEP 27**

Reconnect the two EVAP tubes to the EVAP Fitting (Item I). There should be an audible click when the tubes are fully inserted.





## STEP 28

Install the Air Filter (E) and #80 Hose Clamp (M) onto the Intake Tube (B) then tighten the hose clamp. Do not overtighten.

**Tools Required:** Ratchet, 8mm Socket/Wrench





## STEP 29

Remove the protective covering from the Clear Lid (G).



## STEP 30

Place the Clear Lid (G) onto the Intake Box (A) then secure using the provided Lid Screws and Washer (O & P). Do not overtighten.

**Tools Required:** Screwdriver



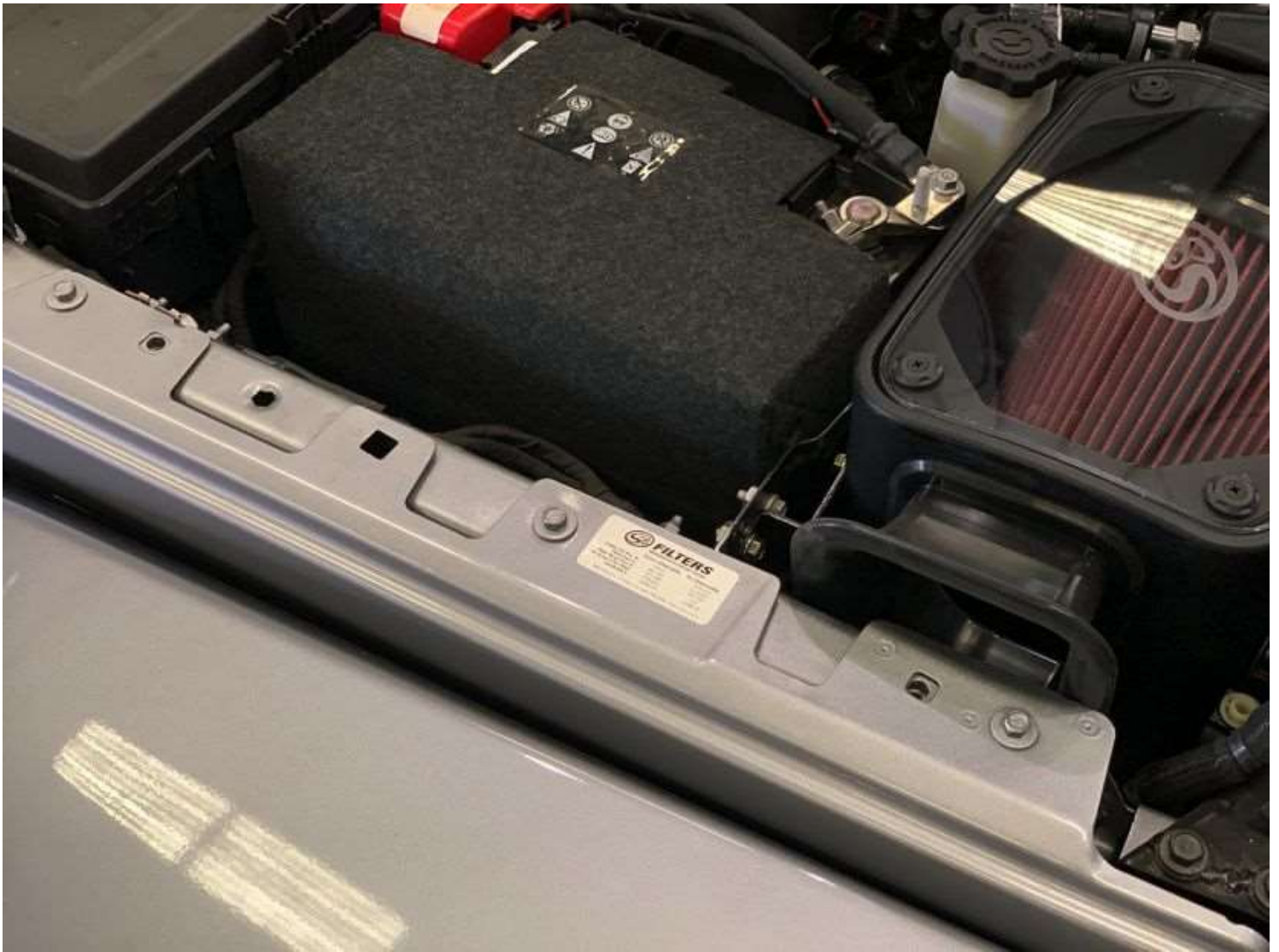


## STEP 31

Reconnect the negative terminal on battery. Inspect your installation, make sure the kit is properly positioned and all fasteners are secured. S&B Filters recommends keeping all stock parts in case you would ever need to reinstall the stock intake.

**Tools Required:** Ratchet, 10mm Socket/Wrench





## STEP 32

Affix the ID label near the intake kit.



## STEP 33

The installation is now complete.

### Performance Testing

- Engage parking brake and start your engine. Listen for abnormal noises. If an air leak is detected, re-inspect hoses and connections as they may need to be repositioned and tightened.
- S&B FILTERS recommends that you keep your OE intake system in the event it is required in the future.
- In order to maintain your warranty, all connections and components must be checked periodically for alignment and for proper tension on all connections. Failure to do so may void your warranty.

- Use only S&B FILTERS cleaning and oil products to service your filter. Using any other brand oil and or cleaners on your S&B air filter may void your warranty.

## **Warning!**

If your vehicle has a Vehicle Emission Control Information decal affixed to the factory airbox, a new replacement label must be obtained and installed in a readily visible position in the engine compartment in order to remain CARB compliant. Failure to do so will prevent the vehicle from passing a smog check. Replacement labels can be ordered from your local dealership.

Regulations state that the VECI label shall not be affixed to any equipment which is easily detached from the vehicle. Label placement, under the hood on a painted surface is recommended.



