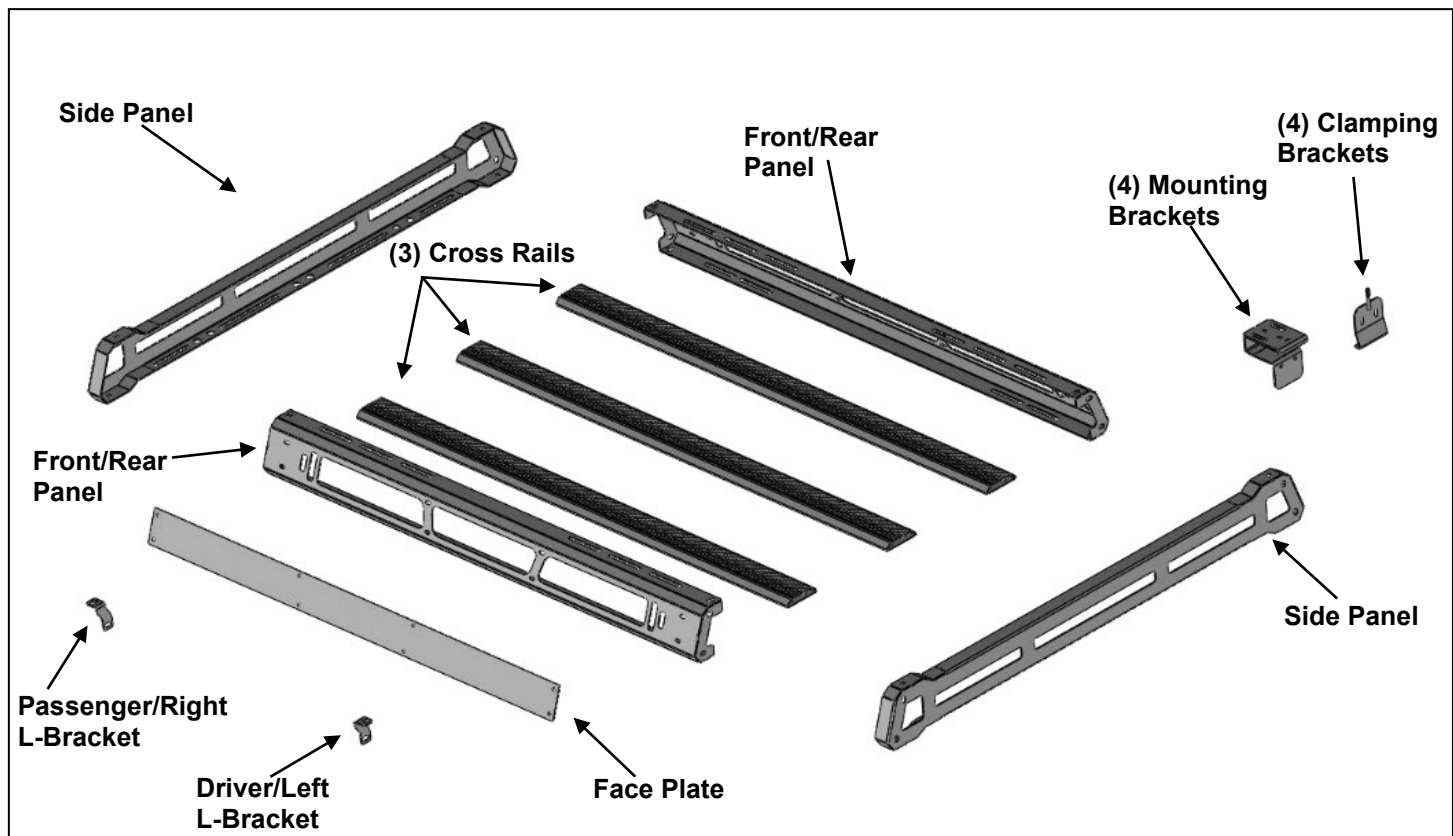


STEEL ROOF BASKET
2018-20 JEEP WRANGLER JL/ 2020 GLADIATOR 4 DOOR WITH HARD TOP

PARTS LIST:

2	Front/Rear Panels	30	8-1.25mm x 25mm Combo Button Head Bolts
2	Side Panels	2	8-1.25mm x 16mm Button Head Bolts
1	Face Plate	68	8mm x 24mm OD x 2mm Flat Washers
3	Cross Rails	2	8mm x 16mm OD x 1.5mm Flat Washers
1	Driver/Left L-Bracket	30	8mm Lock Washers
1	Passenger/Right L-Bracket	16	8mm Hex Nuts
4	Mounting Brackets	14	8mm Nylon Lock Nuts
4	Clamping Brackets	8	6-1.0mm x 20mm Combo Hutton Head Bolts
4	89mm x 35mm x 5mm Foam Strips (Mounting Brackets)	8	6mm x 18mm OD x 1.6mm Flat Washers
4	89mm x 35mm x 3mm Foam Strips (Clamping Brackets)	8	6mm Hex Nuts
8	8-1.25mm x 25mm Hex Bolts	2	5mm Hex Wrench
8	8-1.25mm x 25mm Combo Hex Bolts	1	4mm Hex Wrench

CAUTION: Recommended load rate is 150 lbs. for Basket only, too much weight will greatly reduce the stability of the vehicle and increase the vehicle's tendency to overturn or damage roof. The manufacturer makes no representation or warranty as to the amount of weight that the vehicle can safely carry. For guidance, we recommend that you consult the vehicle manufacturer. Secure all payloads properly for safe transportation.



PROCEDURE: REMOVE CONTENTS FROM BOX. VERIFY ALL PARTS ARE PRESENT. READ INSTRUCTIONS CAREFULLY BEFORE STARTING INSTALLATION. ASSISTANCE RECOMMENDED.

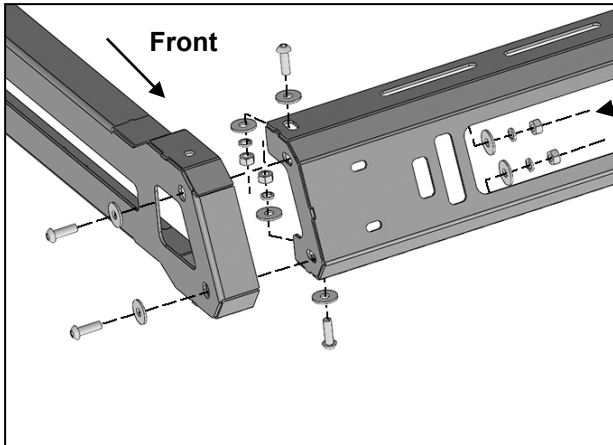
1. Place (1) Side Panel and (1) Front/Rear Panel on a stable, clean flat surface. Insert the end of the Front/Rear Panel into the end of the Side Panel. Attach the Side Panel to the Front/Rear Panel using (4) 8mm x 25mm Button Head Bolts, (8) 8mm x 24mm Flat Washers, (4) 8mm Lock Washers and (4) 8mm Hex Nuts, **(Figure 1)**. Do not tighten hardware at this time.

2018-20 JEEP WRANGLER JL/ 2020 GLADIATOR 4 DOOR WITH HARD TOP

2. Move to the other end of the Front/Rear Panel. Select the remaining Side Panel and repeat **Step 1** to attach the Panels, **(Figure 1)**.
3. Next, select the remaining Front/Rear Panel. Repeat **Step 1** to attach the Panel to each Side Panel, **(Figure 1)**.
4. Select (1) Cross Rail. Locate the (3) mounts on each Side Panel. Attach the Cross Rail to the mounts using (4) 8mm x 25mm Button Head Bolts, (4) 8mm Lock Washers and (4) 8mm x 24mm Flat washers, **(Figure 2)**. Leave hardware loose.
5. Repeat **Step 4** to attach the remaining (2) Cross Rails to the mounts on the Side Panels.
6. After assembling the Roof Basket, level and fully tighten the Side Panels to the Front/Rear Panel hardware only at this time. Make sure the Roof Basket is squared before tightening.
7. **Determine if Face Plate or Light Bar will be attached at this time, (Light not included)**
For Face Plate attachment:
 - a. Select the Face Plate.
 - b. Attach the Face Plate to the Front Panel using (8) 6mm Button Head Combo Bolts, (8) 6mm Flat Washers and (8) 6mm Hex Nuts, **(Figure 3)**. Fully tighten hardware.**Light Bar attachment, (Light not included):**
 - a. Select the Passenger/Right L-Bracket.
 - b. Attach the Bracket to the Front Panel with (1) 8mm x 25mm Button Head Bolt, (2) 8mm x 24mm Flat Washers and (1) 8mm Nylon Lock Nut, **(Figure 4)**.
 - c. Repeat **Step 9a** to attach the Driver/Left L-Bracket.
 - d. Attach the Light Bar to the Brackets using (2) 8mm x 16mm Button Head Bolts, (2) 8mm Lock Washers and (2) 8mm x 16mm Flat Washers, **(Figure 4)**.
 - e. Follow the light manufacturer's instructions to properly attach and wire the Light Bar.
 - f. Level and adjust the Light Bar to the Brackets and fully tighten hardware.
8. Open the Passenger/Right front door. Locate the rain gutter along the top of the door. Apply (1) **5mm thick** Foam Strip to the bottom of (1) Mounting Bracket to protect the roof from damage, **(Figure 6)**.
9. Next, select (1) Clamping Bracket. Apply (1) **3mm thick** Foam Strip to the **inside** of the Clamping Bracket to protect the rain gutter from damage. Slide the Mounting Bracket over the welded bolt on the Clamping Bracket. Attach the Clamping Bracket to the Mounting Bracket with (1) 8mm x 24mm Flat Washer and (1) 8mm Nylon Lock Nut, **(Figure 6)**. Do not tighten hardware at this time.
10. Wrap the Bracket assembly around the rain gutter. Make sure the Mounting Bracket fits snug inside the rain gutter. **IMPORTANT:** Position the Bracket approx. 17 ½ inches from the front edge of the front roof panel. Use (2) 8mm x 25mm Combo Bolts to secure the Clamping Bracket to the Mounting Bracket, **(Figures 5—7)**. Do not tighten hardware at this time.
11. Repeat **Steps 8—10** to attach the remaining (3) Mounting Brackets and Clamping Brackets. **Note:** Place the rear Mounting Brackets approx. 31 inches from the front Mounting Brackets, **(Figures 8 & 9)**. Do not fully tighten hardware at this time.
12. With assistance, place the assembled Roof Basket on top of the Mounting Brackets. Attach the Mounting Brackets to the bottom of the Side Panel with (8) 8mm x 25mm Hex Bolts, (16) 8mm x 24mm Flat Washers and (8) 8mm Nylon Lock Nuts, **(Figures 10—12)**.
13. Level and center the Roof Basket to the vehicle and tighten all hardware at this time.
14. Do periodic inspections to the installation to make sure that all hardware is secure and tight.

To protect your investment, Do not use any type of polish or wax that may contain abrasives that could damage the finish. Mild soap may be used to clean the Roof Basket.

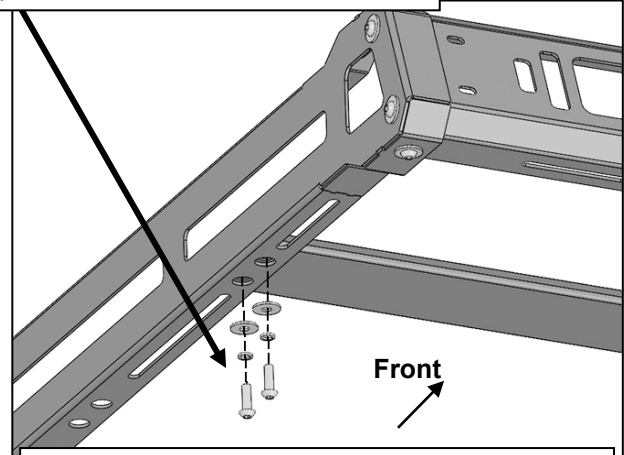
**STEEL ROOF BASKET
2018-20 JEEP WRANGLER JL/ 2020 GLADIATOR 4 DOOR WITH HARD TOP**



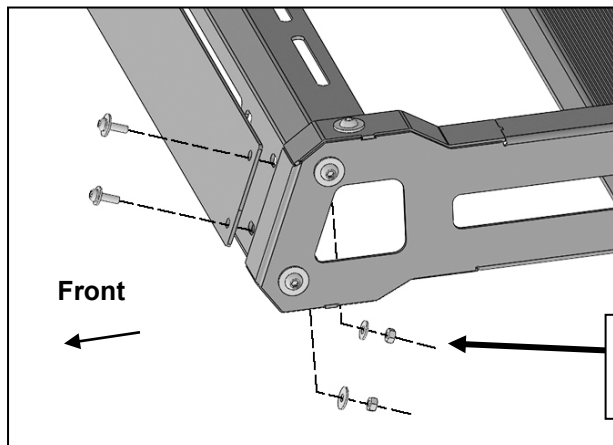
(Fig 1) Slide Front/Rear Panel into Side Panel

- (4) 8mm x 25mm Button Head Bolts
- (8) 8mm x 24mm Flat Washers
- (4) 8mm Lock Washers
- (4) 8mm Hex Nuts

- (2) 8mm x 25mm Button Head Bolts
- (2) 8mm Lock Washers
- (2) 8mm x 24mm Flat Washers



(Fig 2) Attach (1) Cross Rail to the Side Panel

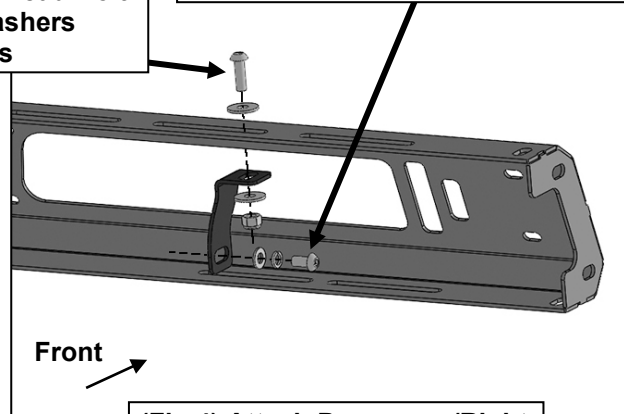


(Fig 3) Attach the Face Plate to the Front Panel

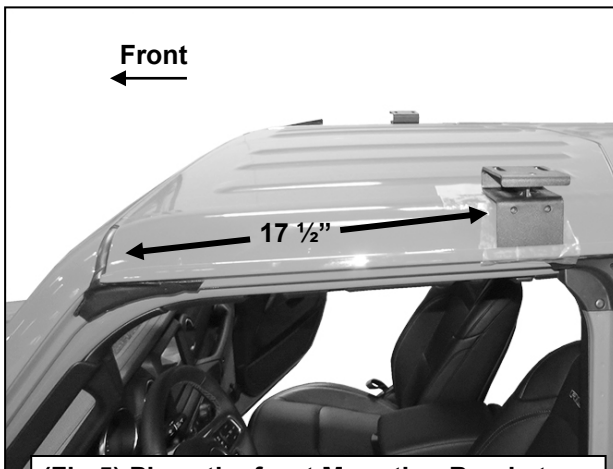
- (2) 6mm Button Head Combo Bolts
- (2) 6mm Flat Washers
- (2) 6mm Hex Nuts

- (1) 8mm x 25mm Button Head Bolt
- (2) 8mm x 24mm Flat Washers
- (1) 8mm Nylon Lock Nuts

- (1) 8mm x 16mm Button Head Bolt
- (1) 8mm Lock Washer
- (1) 8mm x 16mm Flat Washer



(Fig 4) Attach Passenger/Right L-Bracket to the front panel



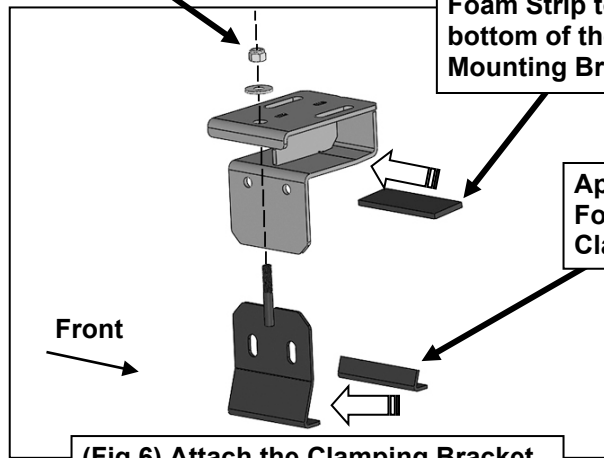
(Fig 5) Place the front Mounting Bracket approx. 17 1/2 inches from the front edge of the forward roof panel (Driver/Left shown)

STEEL ROOF BASKET
2018-20 JEEP WRANGLER JL/ 2020 GLADIATOR 4 DOOR WITH HARD TOP

Attach Clamping Bracket to Mounting Bracket:
(1) 8mm x 24mm Flat Washer
(1) 8mm Nylon Lock Nut
(1) Clamping Bracket

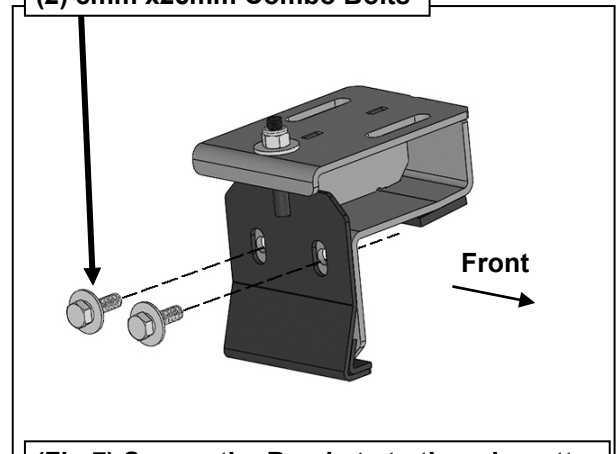
Apply 5mm thick Foam Strip to the bottom of the Mounting Bracket

Apply 3mm thick Foam Strip inside Clamping Bracket

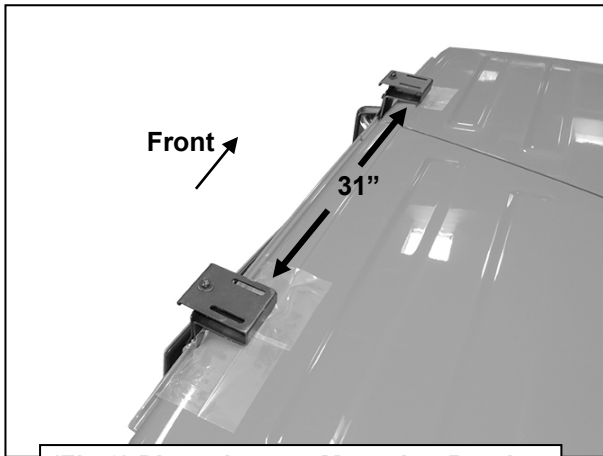


(Fig 6) Attach the Clamping Bracket to the Mounting Bracket and the rain gutter on the side of the vehicle

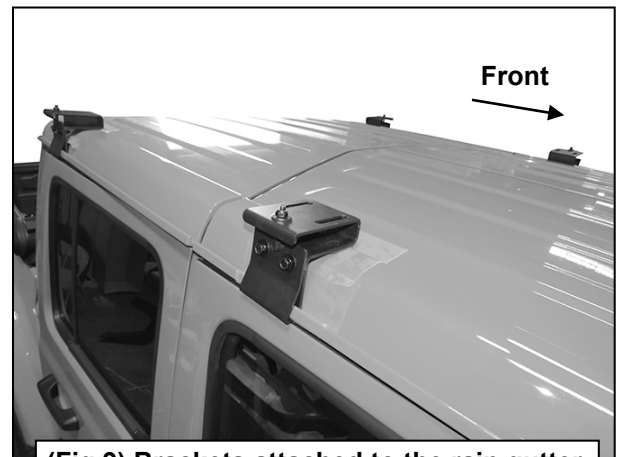
(2) 8mm x25mm Combo Bolts



(Fig 7) Secure the Brackets to the rain gutter

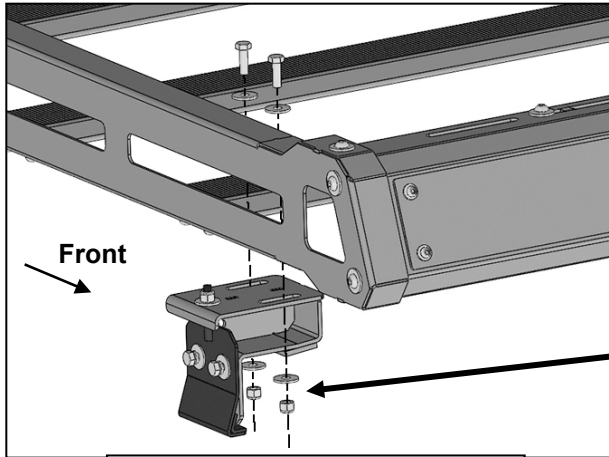


(Fig 8) Place the rear Mounting Bracket approx. 31 inches from the front Mounting Bracket (Driver/Left shown)



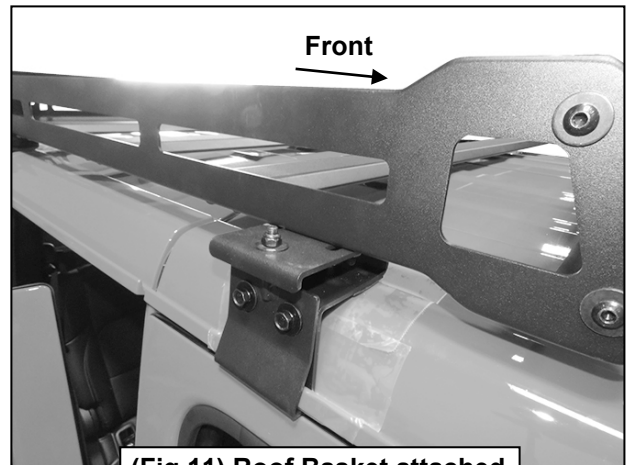
(Fig 9) Brackets attached to the rain gutter

**STEEL ROOF BASKET
2018-20 JEEP WRANGLER JL/ 2020 GLADIATOR 4 DOOR WITH HARD TOP**

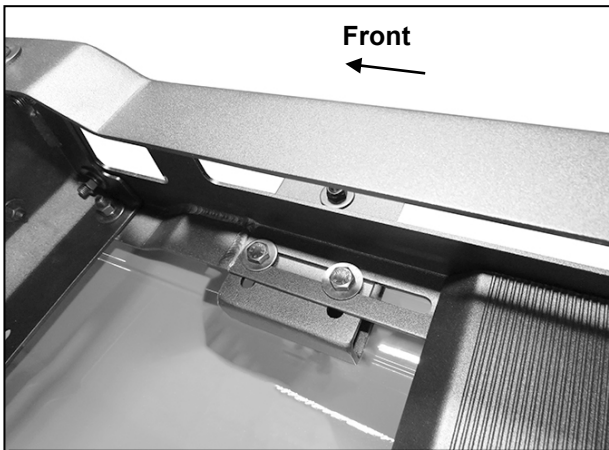


- (2) 8mm x 25mm Hex Bolts
- (4) 8mm x 24mm Flat Washers
- (2) 8mm Nylon Lock Nuts

(Fig 10) Attach the Roof Basket to the Mounting Bracket



(Fig 11) Roof Basket attached to the Mounting Bracket



(Fig 12) Roof Basket attached to the Mounting Bracket (Pictured above Passenger/Right Front)