

Tubular Rock Sliders (4-Door) Installation Instructions

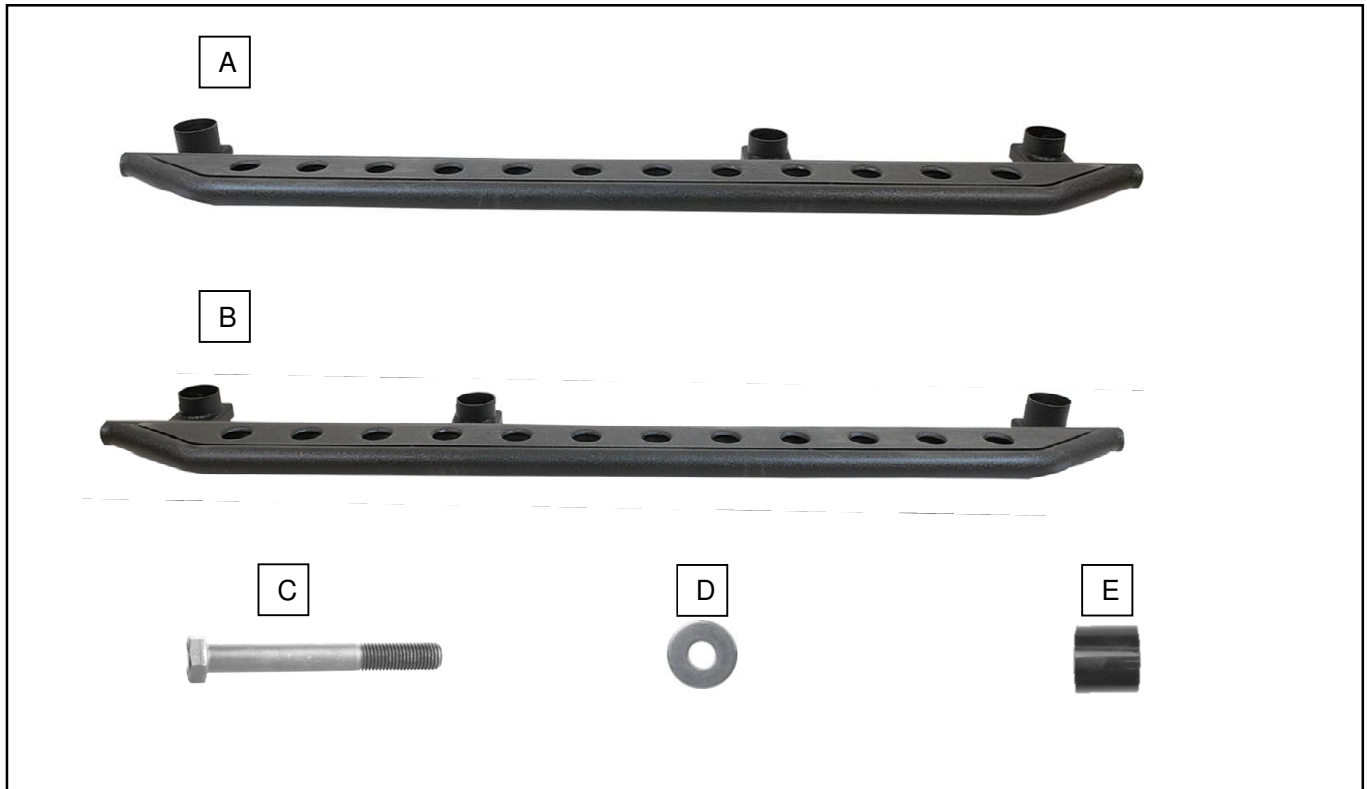
FITS Jeep Wrangler
JL Unlimited 4 door
2018-2019
J130921

Key To Components

- A. 1 ea. Rock slider driver side
- B. 1 ea. Rock slider passenger side
- C. 2 ea. M12x1.75x130mm hex head bolt
- D. 2 ea. M12 flat washer
- E. 2 ea. Spacer

Tools Required

- 18mm Socket
- 10mm socket
- Ratchet



Please take a few minutes to read and thoroughly familiarize yourself with the installation procedures outlined in this manual. Following the steps as outlined will save you time and help reduce mistakes. Once the instructions are reviewed, if you feel that you are not capable of safely installing the parts seek the help of a qualified installation expert to help you complete the job. The manufacture is in no way responsible for any personal injury or vehicle damage that may occur during the installation.

NOTES ON INSTALLATION

Do NOT over-tighten screw.

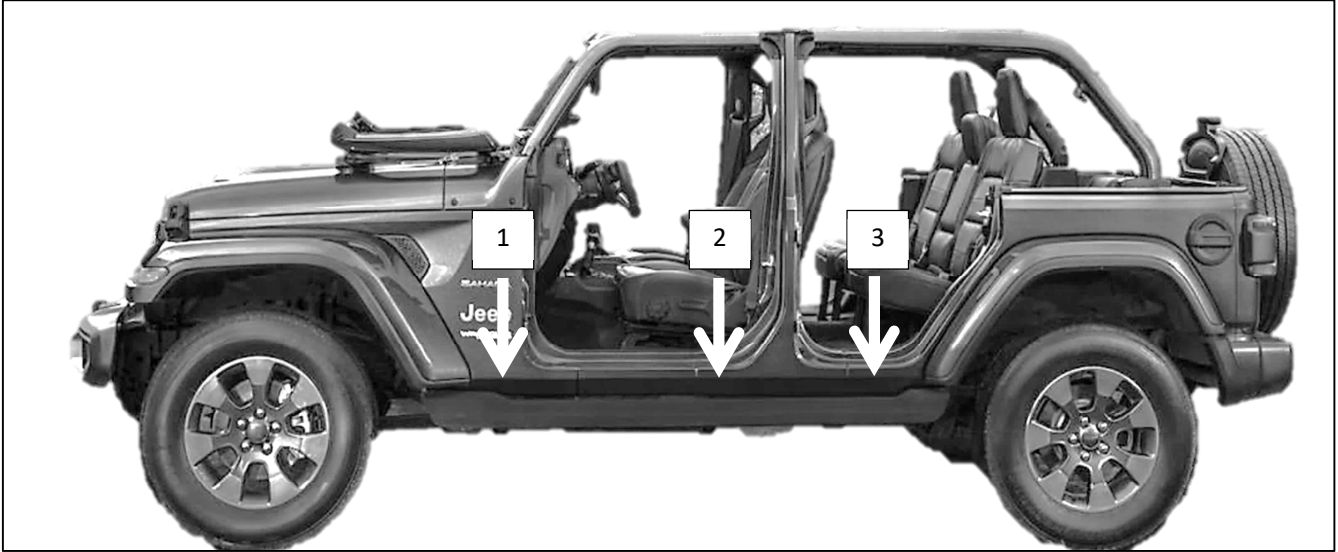
If the instructions call for you to save and re-install parts set them aside in a protected area so as not to damage them.

Note: Armor rocker guard will be packaged separately. They will have a sticker on the packaging indicating which side they correspond to (L or R).

California Proposition 65 Warning!

This product may contain one or more chemical known to the State of California to cause cancer and birth defects or other reproductive harm. For more information go to www.P65Warnings.ca.gov.

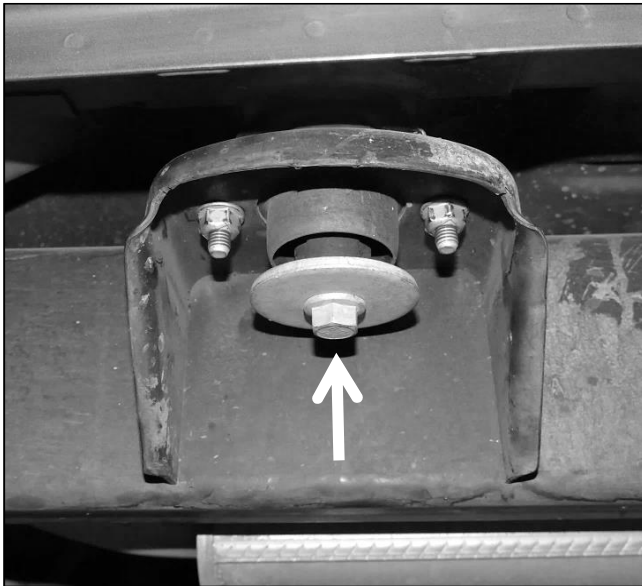
REMOVING FACTORY RUNNING BOARDS



Step 1.

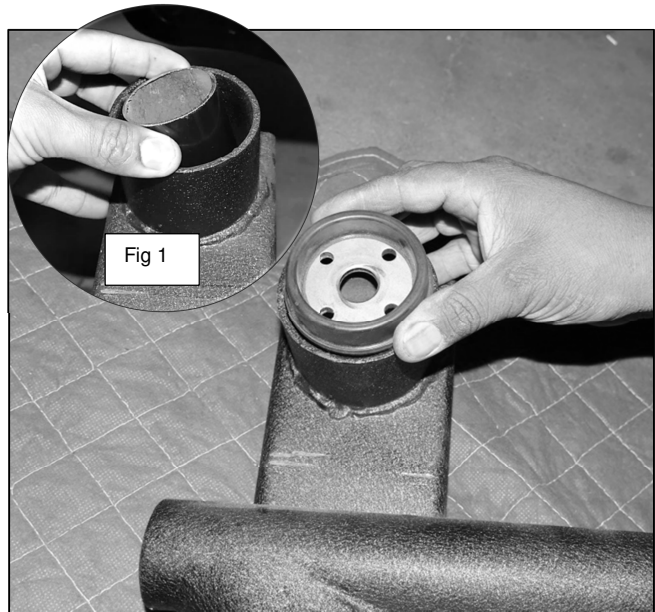
If your vehicle comes equipped with factory running boards crawl under the Jeep, unbolt and remove factory running board. Set factory running board and factory hardware aside in a protected area. Repeat step for the other side.

INSTALLING ROCK SLIDER



Step 1.

Working towards the front of the vehicle, using a 18mm socket locate and remove the factory bolt. Set hardware aside for later use. Repeat step for remaining bolts.



Step 2.

Working towards the front mounting point (1) (use step 1 as a reference) of the supplied rocker slider (A). Place supplied spacer (E) into the front mounting cup fig 1. Reinstall previously removed factory washer as shown.

INSTALLING ROCK SLIDER continued



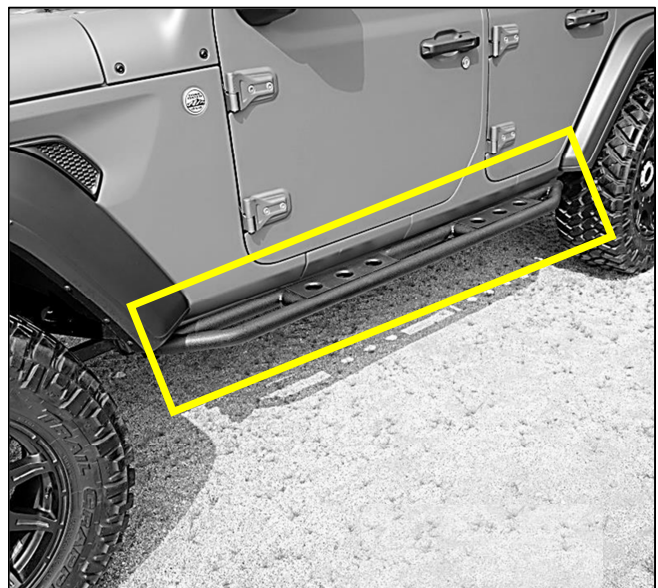
Step 3.
With help from an assistant place supplied rock slider (A) onto vehicle. Line up the holes in rock slider with the vehicle hole. Push rock slider into position.



Step 4.
Working towards the front of the vehicle. While holding the rock slider in place install supplied M12x1.75x130mm hex head bolt with supplied M12 flat washer (D) through the rock slider hole and onto the vehicle. Finger tighten only.



Step 5.
Working towards the rear of the vehicle. Reinstall the previously removed factory bolts. Finger tighten only. Repeat step for remaining factory bolt. Tighten down all hardware using a 18m socket.



This completes the installation.