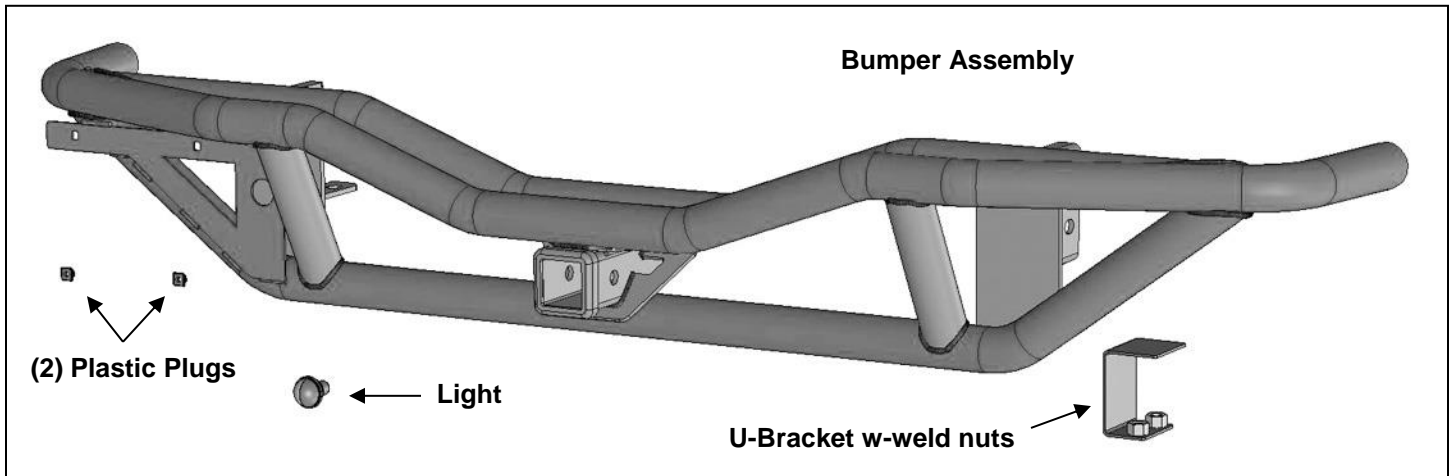


# **REDROCK** 4X4

**INSTALLATION INSTRUCTIONS**  
**ROCK CRAWLER REAR BUMPER**  
**2018 JEEP WRANGLER JL**

## PARTS LIST:

1	Rock Crawler Tube Rear Bumper	2	14-1.50mm x 55mm Fine Thread Hex Bolts
1	License Plate Light	2	14mm x 28mm x 2.5mm Flat Washers
2	Plastic Plugs for license plate	2	14mm Lock Washers
1	U-Bracket w-(2) 14mm welded hex nuts		



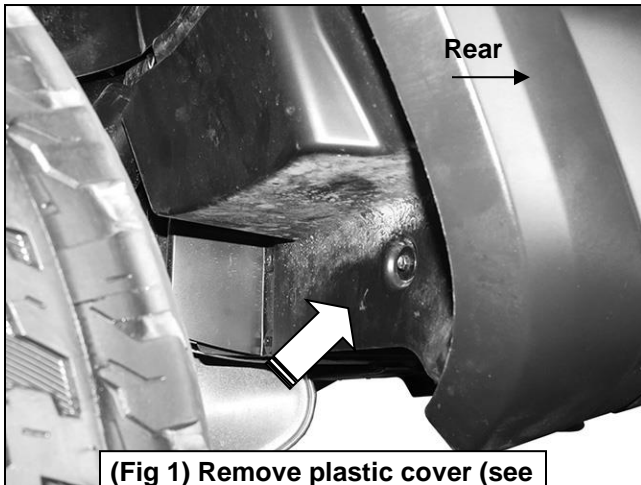
## PROCEDURE:

- 1. REMOVE CONTENTS FROM BOX. VERIFY ALL PARTS ARE PRESENT. READ INSTRUCTIONS CAREFULLY BEFORE STARTING INSTALLATION. WARNING: ALLOW TIME FOR THE MUFFLER TO COMPLETELY COOL BEFORE REMOVING REAR BUMPER. INSTALLATION IS NOT COMPATIBLE WITH MODELS EQUIPPED WITH BUMPER MOUNTED SENSORS. SENSORS MUST BE UNPLUGGED, AND SYSTEM TURNED OFF AT DASH.**
- Start installation from under the driver/left side of the rear bumper. Remove the plastic cover from the back of the rear wheel opening, **(Figure 1)**. Locate and remove the (2) hex bolts attaching the outer bracket running from the side of the frame to the outer end of the bumper, **(Figure 2)**. Repeat this Step on the passenger/right side of the vehicle.
- Unplug the wiring harness leading to the rear bumper. Remove the (2) hex bolts attaching the bottom of the bumper to the rear crossmember if equipped, **(Figure 3)**.
- With assistance, remove the (4) hex nuts attaching the bumper to the inner bumper brackets, **(Figure 4)**. Slide bumper off of the inner and outer bumper brackets.
- Remove the driver/left outer bumper bracket attached to the side of the frame, **(Figure 4)**. Next, remove the tow hook from the side of the frame and remove the inner bumper bracket, **(Figure 5)**. **NOTE:** Tow hook cannot be reinstalled. Repeat this Step to remove the Passenger/right side bumper brackets.
- Next, select the U-Bracket, **(Figure 7)**. Insert the Bracket into the passenger/right frame end, **(Figure 6)**. Line up the welded nuts with the factory holes in the bottom of the frame. Skip this Step if the frame is equipped with tow hook and welded nuts, (see driver/left frame end for example).
- Carefully unwrap the Bumper. With assistance, position the Bumper up to the outside of the frame. Reuse the factory bumper bracket bolts to attach the Bumper to the outside and bottom of the frame, **(Figure 7)**. **NOTE:** On the bottom of the passenger/right side of the frame, use the factory hex bolts if equipped or the included (2) 14-1.50mm x 55mm Fine Thread Hex Bolts, (2) 14mm Lock Washers and (2) 14mm Flat Washers to attach the Bumper to the bottom of the frame and U-Bracket if required, **(Figures 7—9)**.

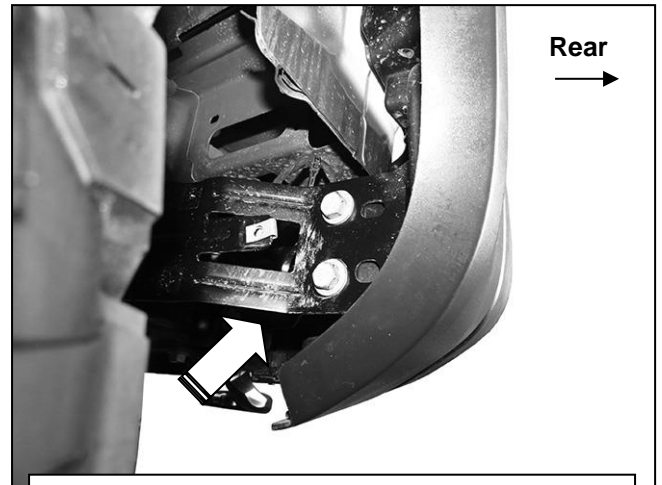
8. Level and adjust the Rear Bumper and tighten all hardware at this time. **NOTE:** Tighten hardware on bottom of frame first then tighten hardware on the side of the brackets.
9. Insert the included License Plate Light into the hole in the license plate bracket, **(Figure 10)**. Remove factory wiring harness from original bumper. Attach License Plate Light wiring to the factory wiring harness to the license plate light. Insert (2) Plastic Plugs into holes in license plate bracket.
10. Do periodic inspections to the installation to make sure that all hardware is secure and tight.

**To protect your investment,** wax this product after installing. Regular waxing is recommended to add a protective layer over the finish. Do not use any type of polish or wax that may contain abrasives that could damage the finish. Mild soap may be used to clean Bumper.

### Driver/left Side Installation Pictured



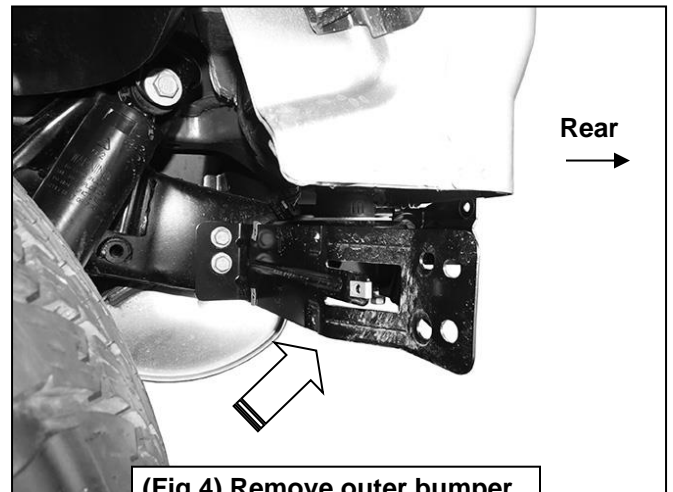
**(Fig 1) Remove plastic cover (see arrow-driver/left side pictured)**



**(Fig 2) Remove (2) outer bumper bracket bolts**

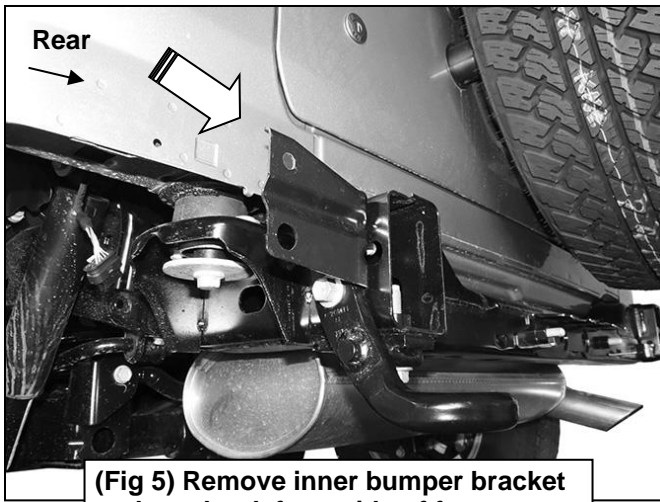


**(Fig 3) Remove (2) hex bolts (if equipped) attaching bottom of bumper to cross member**

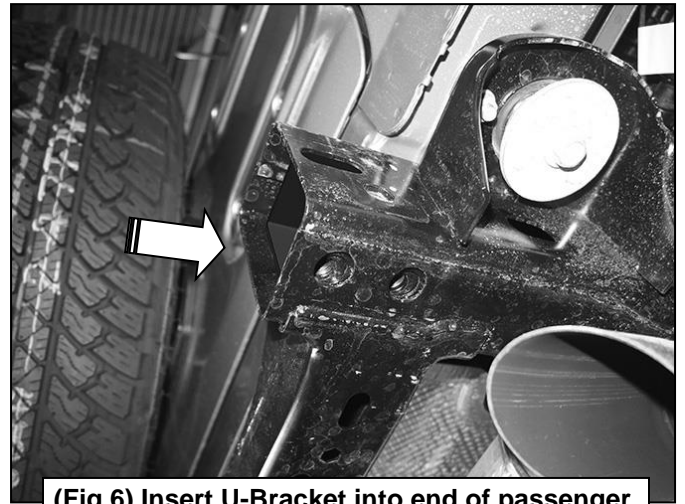


**(Fig 4) Remove outer bumper bracket from side of frame**

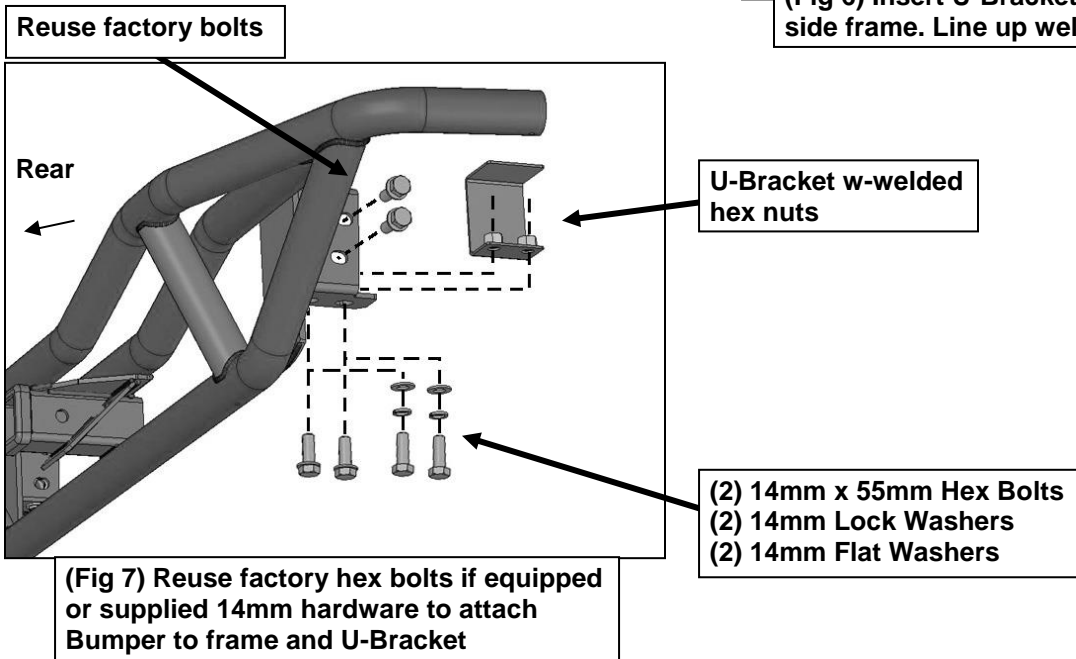
## Driver Side Installation Pictured



(Fig 5) Remove inner bumper bracket and tow hook from side of frame

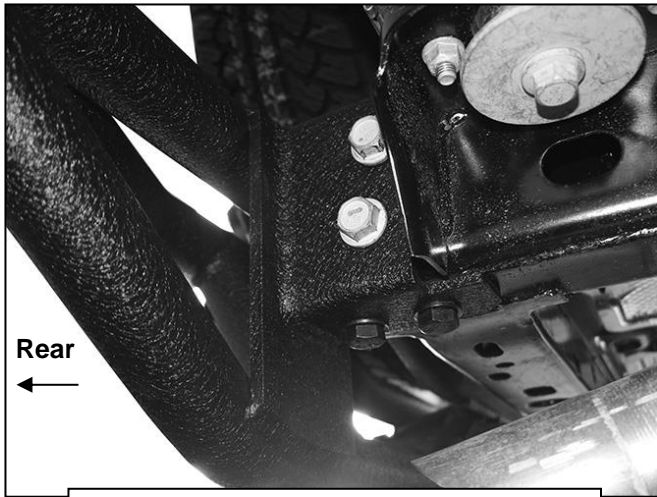


(Fig 6) Insert U-Bracket into end of passenger side frame. Line up weld nuts with holes



(Fig 7) Reuse factory hex bolts if equipped or supplied 14mm hardware to attach Bumper to frame and U-Bracket

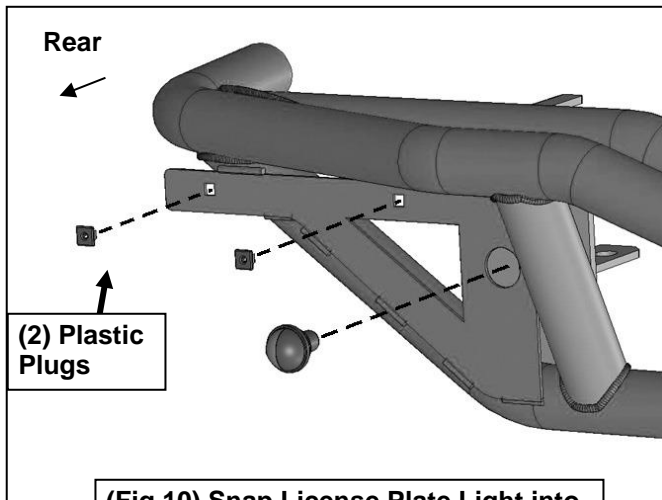
## Driver Side Installation Pictured



(Fig 8) Reuse factory hex bolts to attach Bumper to frame (passenger/right side)



(Fig 9) Reuse factory hex bolts to attach Bumper to frame (driver/left side)



(Fig 10) Snap License Plate Light into license plate bracket on Bumper.



Complete Installation