



Header Safari Bikini Installation Instructions

Part Number: 52544

For: Jeep® Wrangler Unlimited 2004- 2006
with or without Door Surround



DO NOT INSTALL THIS PRODUCT ON ANY VEHICLE OTHER THAN THOSE LISTED ABOVE.
This product is only designed for the vehicles listed above. Failure to install this product on the proper vehicle could cause injury to the vehicle occupants and damage to the product.

Important Note: This product must be used with a TJ Header Windshield Channel, Number **51238-01**



WARNING

This product is designed to enhance the appearance of the vehicle. Do not rely in any way on the components of this product to contain occupants or cargo within the vehicle, or to protect against injury or death in the event of an accident. Never operate vehicle in excess of manufacturer's specifications.

WEAR SEAT BELTS AT ALL TIMES

Read and follow, precisely, all installation instructions provided when installing this product. Failure to do so could place occupants or cargo of the vehicle in a potentially dangerous situation. After installing or reinstalling, check to make sure it has been properly installed.

Installation Tips

Before you begin installing this product, read all instructions thoroughly. Below are a few tips to make this installation easier. After completing the installation, keep these instructions for further reference.

For a smooth fit:

For ease in installation, the Safari Bikini should be installed at temperatures above 72°F. Below this temperature, the fabric may contract an inch or more, making it difficult to fit to the vehicle.

It is normal for the fabric to contract and wrinkle when stored in the shipping carton. Within a few days after the installation, the fabric will relax and the wrinkles will disappear.

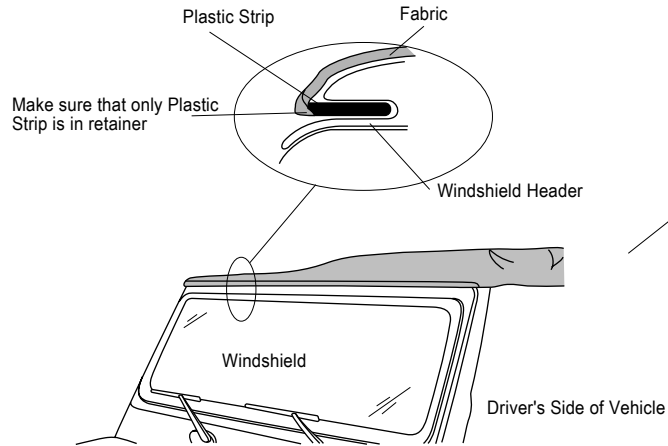
Safari Bikini

Parts List

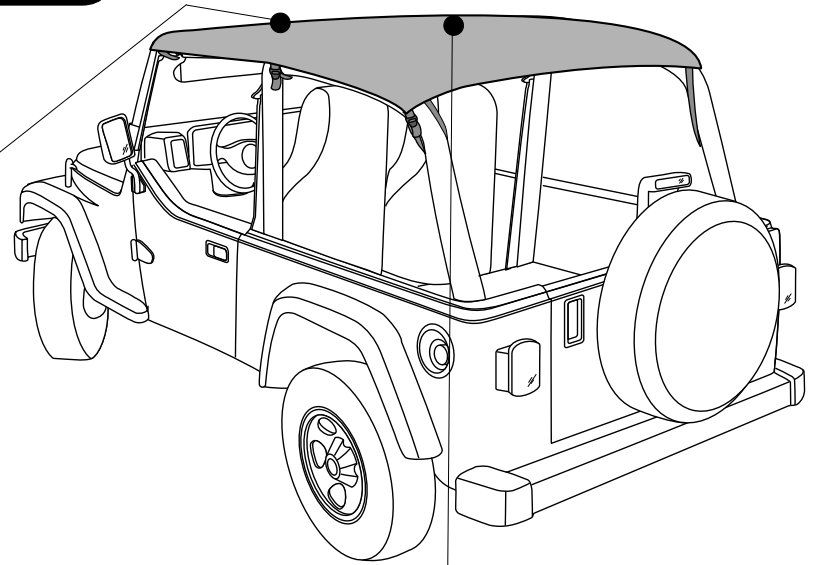
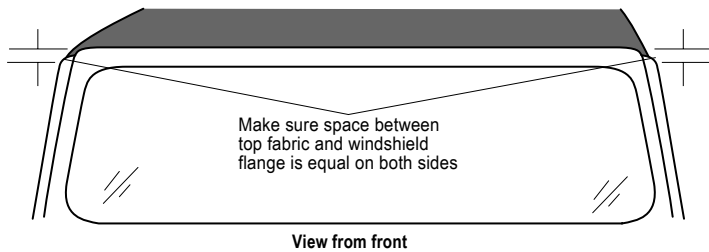
Qty - 1

Step One

Orient the Safari Bikini with the plastic ridge to the front and the straps toward the back. Drape the fabric over the sport bar and insert the plastic strip sewn along the front of the top into the windshield header. Do not catch the fabric in the retainer. Center the front of the deck on the vehicle so that it is an equal distance from the top of the windshield flange on both sides.



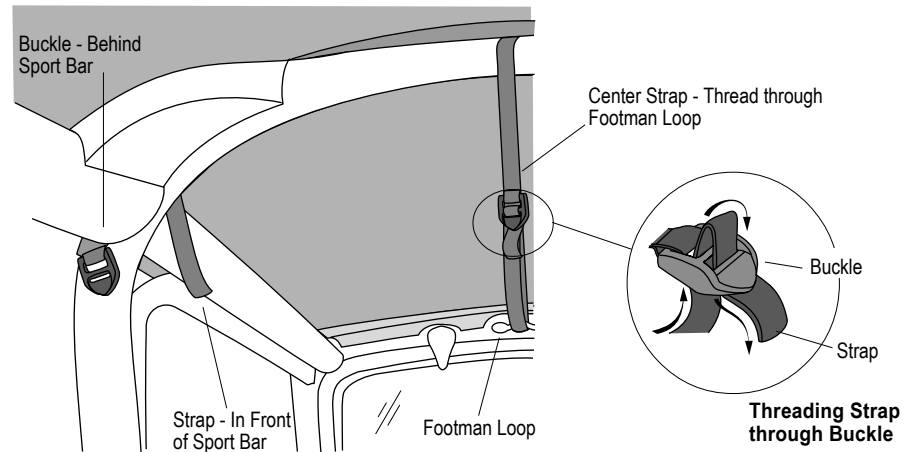
Note: For best possible installation, check to make sure that the soft top is perfectly centered on the vehicle.



Step Two

FASTEN CENTER STRAP

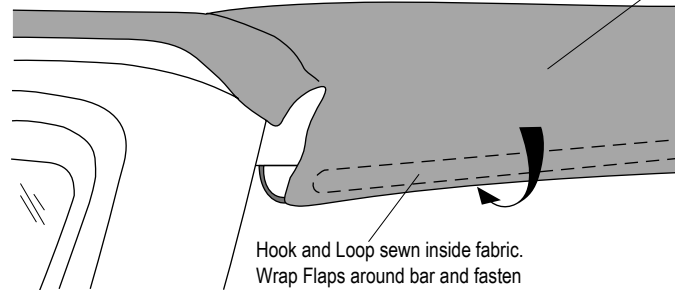
Wrap the long center strap at the rear of the Bikini around the sport bar, pull it forward into the vehicle to the windshield. Thread the strap through the footman loop on the windshield frame. Then pull the end of the strap back and thread it through the buckle. Tighten it securely.



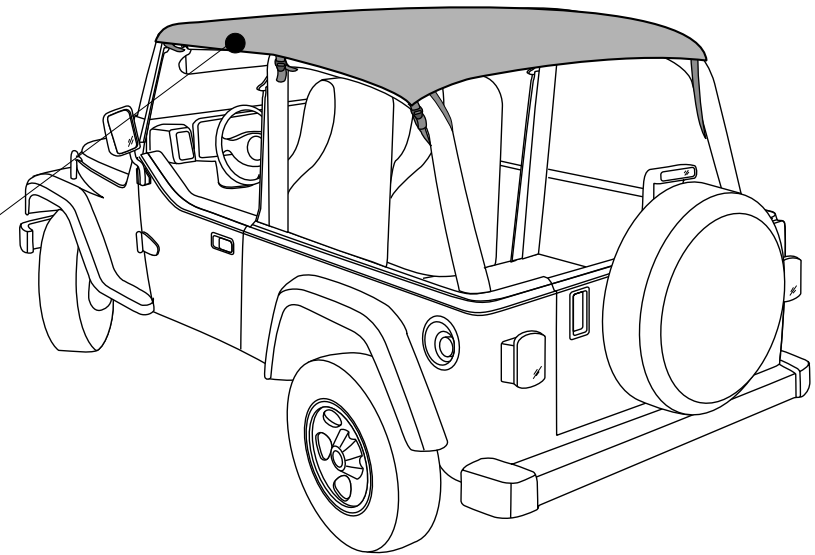
Step Three - without Door Surrounds

Locate the hook and loop strips sewn to the front corners of the Safari Bikini. Fasten the strips to each other and tuck them up above the horizontal sport bar, out of the way.

Locate the flap sewn inside the Bikini above the door opening. Wrap the inside and outside flaps around the horizontal sport bar and fasten the Hook and Loop Strips to each other.



Hook and Loop sewn inside fabric.
Wrap Flaps around bar and fasten
Hook and Loop to each other.



Step Three - with Door Surrounds

Locate the hook and loop strips sewn to the front corners of the Safari Bikini. Tuck the hook strip between the horizontal sport bar and the Door Side Rail.

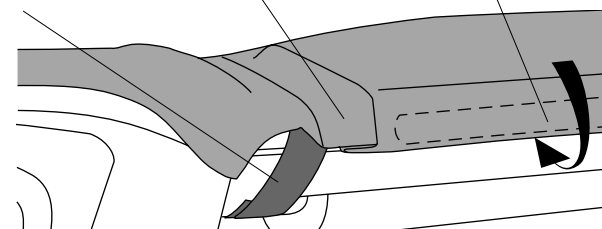
Locate the plastic strip sewn along the edge of the outer flap, above the door opening. Slip the plastic strip into the channel on the Door Side Rail.

Fold the fabric insert from front to back, so that it lays flat on top of the horizontal sport bar and wrap the outer loop strip around the Door Surround and fasten it to the hook strip tucked inside of the rail to hold the fabric in place.

Locate Hook Strip between
Sport Bar and Door Side Rail
and fasten to Loop

Fold Fabric from front
to back to Lay Flat

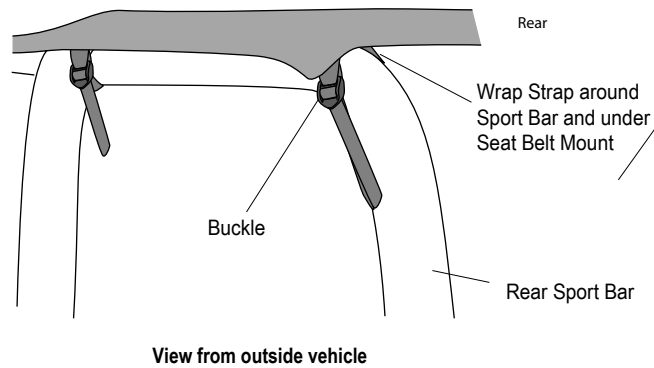
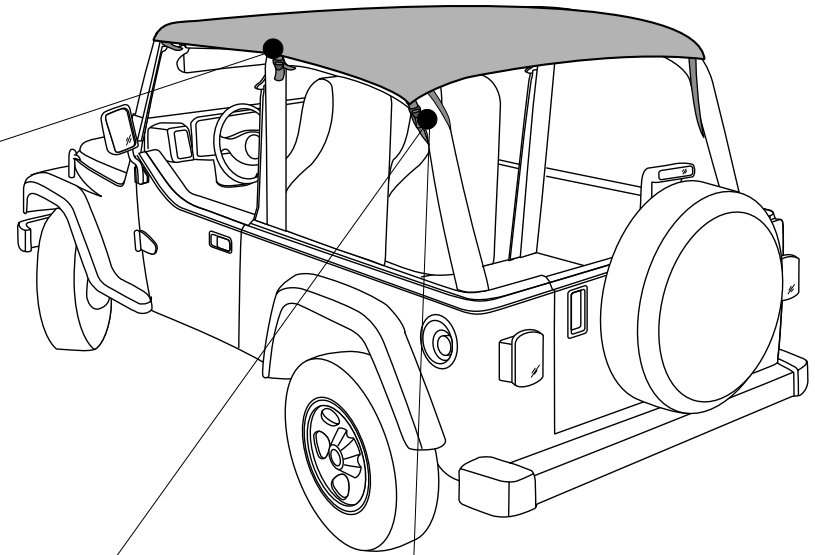
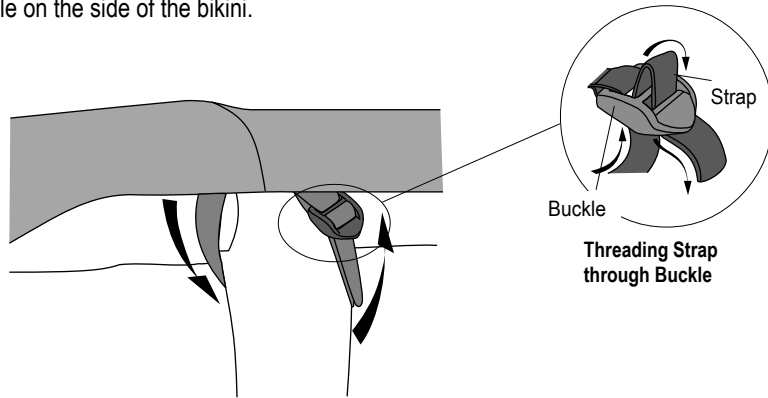
Plastic Strips sewn inside fabric.
Roll into channel in Door Side Rail.



Note: When removing the Safari Bikini, it will be easiest to remove the plastic strips by starting at the front of the plastic and pulling down and out.

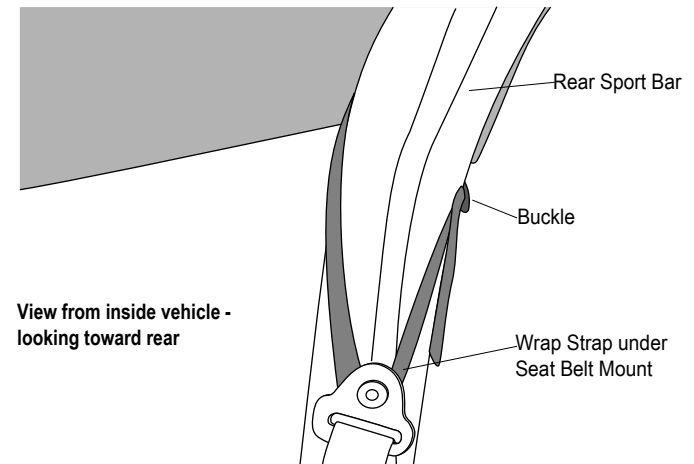
Step Four

Wrap the strap sewn to the side of the Safari Bikini around the sport bar and thread it through the buckle on the side of the bikini.



Step Five

Locate the Buckles and straps sewn to the rear corners of the Safari Bikini. Wrap the straps over the outside of the sport bars and under the seat belt mounts. This will tighten the rear edge of the Bikini. Thread the end of each strap through its buckle and tighten.



Care and Maintenance of your Bestop Top

Your Top is made of the finest materials available. To keep it looking new and for the maximum possible wear, it will need periodic cleaning and maintenance.

Washing: The fabric should be washed often using soap, warm water and a soft bristle brush. Rinse with clear water to remove all traces of soap.

Water: Seeping through at the seams may be stopped by applying 3-M Scotchgard® on the inside of the seams. Rips in the fabric may be repaired with Bondex® iron on patches. Iron the patches to the Inside of the top, carefully following the Bondex® instructions.

LIMITED WARRANTY

We warrant our product to be free from defects in material and workmanship, for terms specified below, provided there has been normal use and proper maintenance. This warranty applies to the original purchaser only. All remedies under this warranty are limited to the repair or replacement of any item or items found by the factory to be defective within the time period specified.

If you have a warranty claim, first you must call our factory at the number below for instructions. You must retain proof of purchase and submit a copy with any items returned for warranty work. Upon completion of warranty work, if any, we will return the repaired or replaced item or items to you freight prepaid. Damage to our products caused by accidents, fire, vandalism, negligence, misinstallation, misuse, Acts of God, or by defective parts not manufactured by us, is not covered under this warranty.

THE WARRANTY TIME PERIOD IS AS FOLLOWS: ALL "SOFT GOODS" MANUFACTURED BY OUR COMPANY: ONE YEAR FROM DATE OF PURCHASE.

ANY IMPLIED WARRANTIES OF MERCHANTABILITY AND/OR FITNESS FOR A PARTICULAR PURPOSE CREATED HEREBY ARE LIMITED IN DURATION TO THE SAME DURATION AND SCOPE AS THE EXPRESS WRITTEN WARRANTY. OUR COMPANY SHALL NOT BE LIABLE FOR ANY INCIDENTAL OR CONSEQUENTIAL DAMAGE.

Some states do not allow limitations on how long an implied warranty lasts, or the exclusion or limitation of incidental or consequential damages, so the above limitations or exclusions may not apply to you.

This warranty gives you specific legal rights, and you may also have other rights which vary from state to state.

For further information, please contact:

Bestop Inc.
Customer Service
(800) 845-3567
(303) 465-1755

