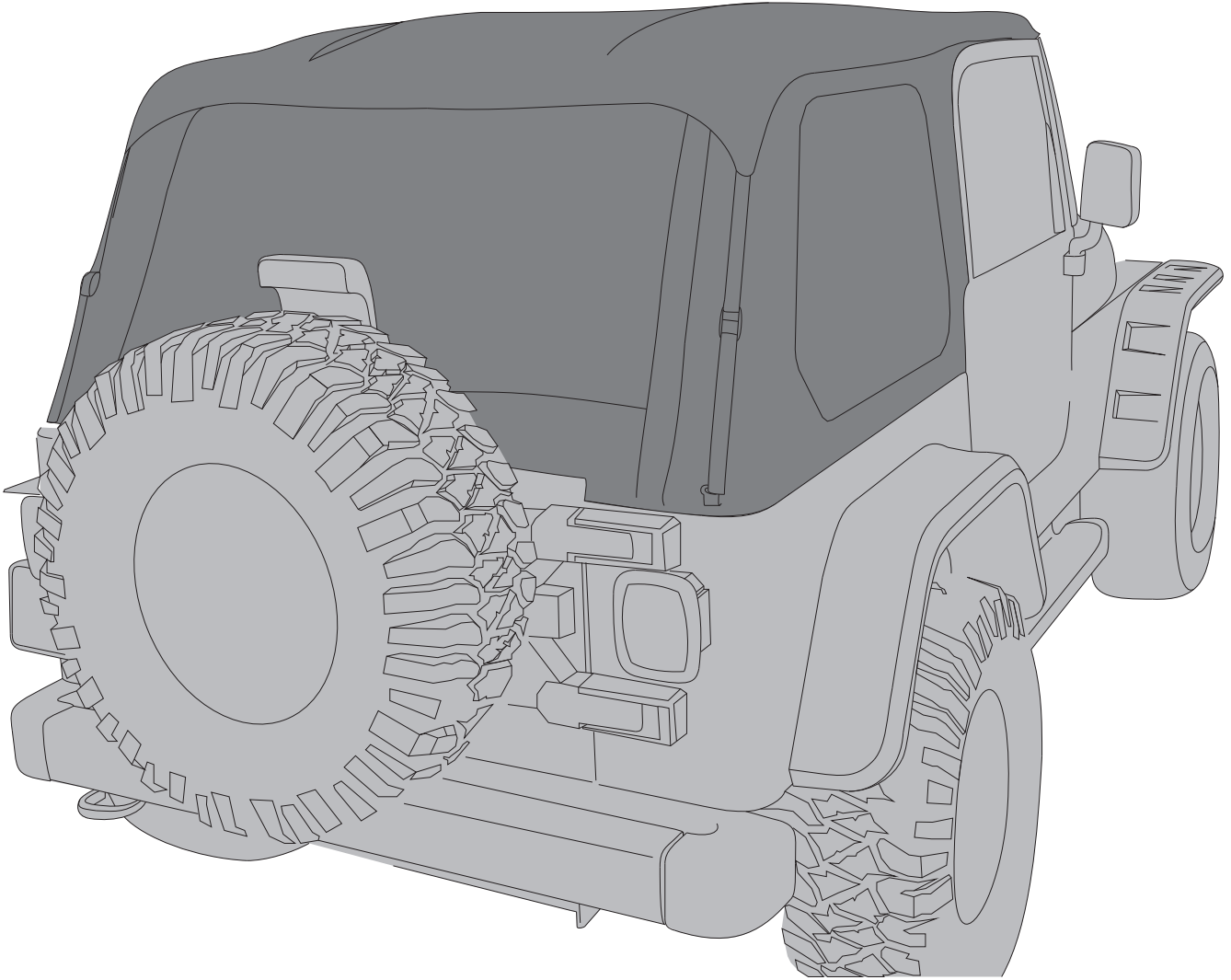


## TJ/LJ Bowless Top



### Components

- |                  |     |
|------------------|-----|
| 1. Soft Top      | (1) |
| 2. Foam Supports | (2) |
| 3. Whisper Bars  | (2) |

#### Extra Parts Needed:

Rugged Ridge Windshield Channel (13308.04)  
Tailgate Bar (if no OE Tailgate Bar)

**NOTICE** Installation of the top in warm weather is optimal for ease of installation. Ideal installation temperature should not be less than 70F (21C). Initial installation is the most difficult as fabric has not been stretched. Top will loosen slightly with use and warm temperature. Allow about at least an hour for initial installation.

## TJ/LJ Bowless Top

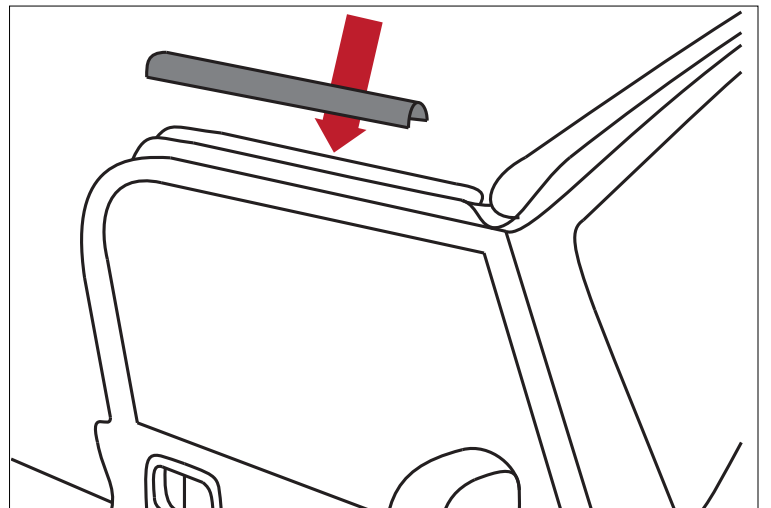
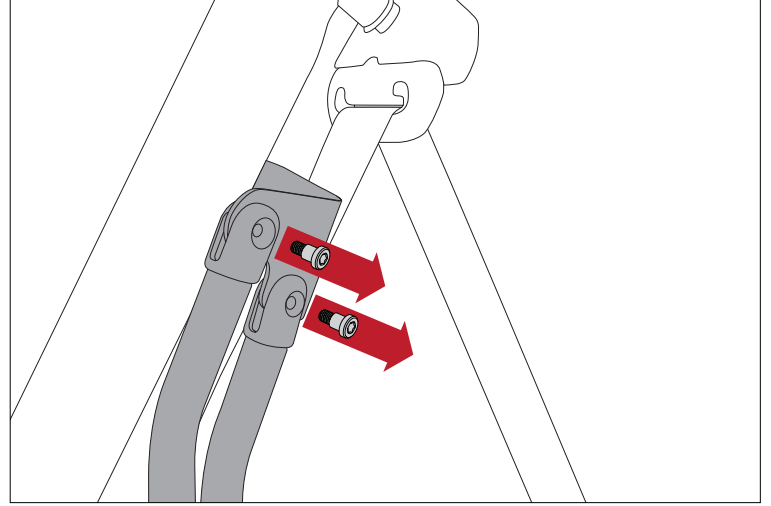
1. Remove existing soft or hard top. For OEM soft tops: remove header bar, tube frame hardware from roll bar, and rear window/tailgate bar and set aside for new top. Keep rear bar mounting hardware in place on body as rear bar will be reused. Keep door surrounds in place as they are reused.

2. Install Windshield Channel per installation instructions.

3. Inspect clearance between top of windshield frame and door surround, making sure factory foam seal is in place. Door surrounds are properly placed and tightened per Jeep owners' manual. Inspect and ensure rear Tailgate Bar and Clips are securely mounted and in good working condition.

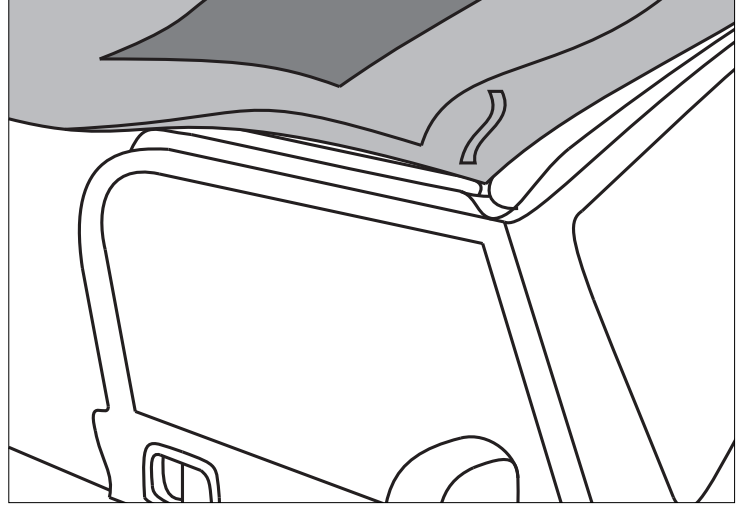
**NOTICE** Replacement Tailgate Bar can be purchased if Jeep does not have factory bar and clips.

4. Insert Foam Supports into top portion of Door Surround recess by folding foam lengthwise into inverted U shape. Place foam securely into recess so the foam is round at top to support soft top.

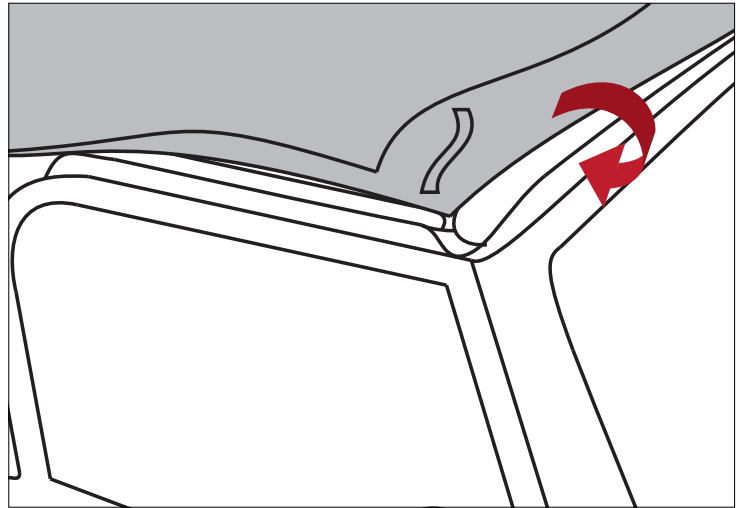


## TJ/LJ Bowless Top

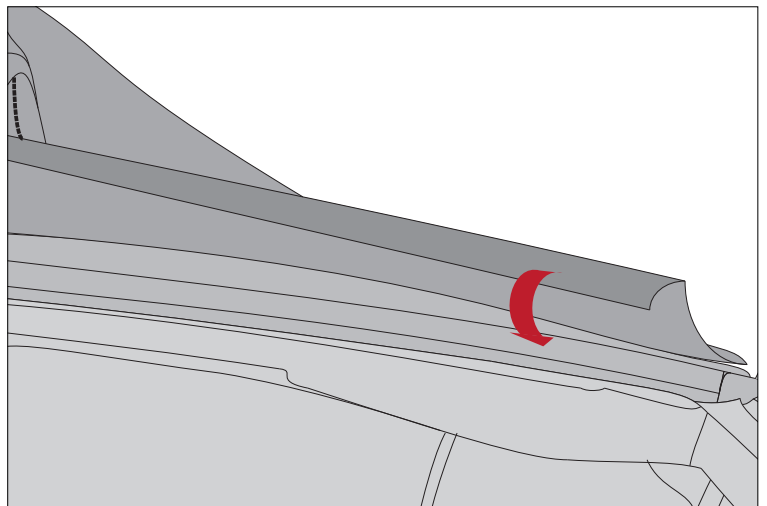
5. Unfold Soft Top and set windows aside, taking care not to scratch windows. Place top on center of roll bar and unfold. Spread top out, taking care that metal flat hooks at end of rear adjustment strap do not damage paint, glass, or cause injury.



6. Insert front plastic into groove of Windshield Channel. Ends will match nearly to each end of Windshield Channel. From front of vehicle, ensure that top is even from side to side. Check door surround sides and push top toward rear to ensure fabric is seated tightly around front corners.



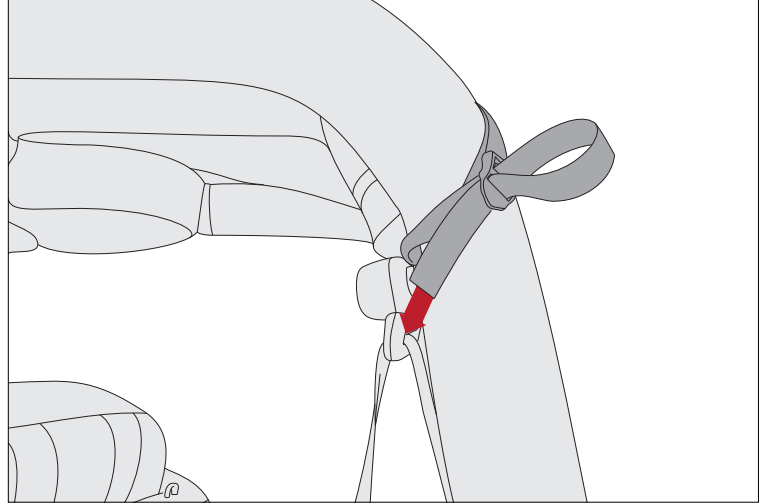
7. Insert plastic into top of door surround channels above either door opening. This will center top at front. Check that front plastic is near front of windshield channel.



## TJ/LJ Bowless Top

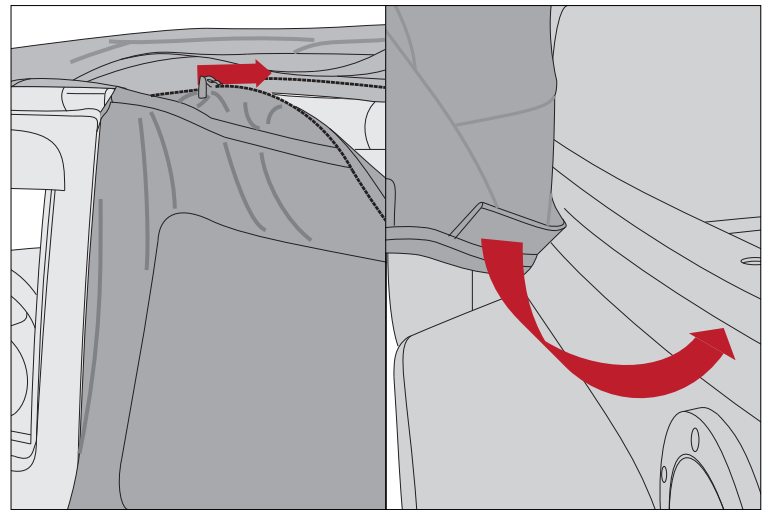
8. Locate ceiling adjustment straps at rear corners on ceiling panel. Gently pull strap over rollbar and around seatbelt stud and back up to strap adjustment buckle. Tighten snugly and repeat other side. Check top for evenness from side to side.

**NOTICE** If there is no rear seat belt assembly installed in vehicle, use included bolts and spacers to allow installation of straps.

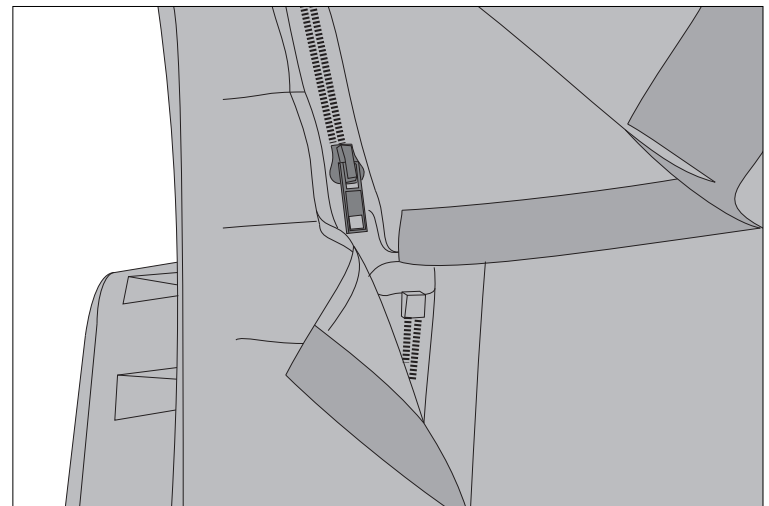


9. Install side windows by mating zippers. Loosely attach rear window to three straps on top rear. Mate rear window zippers to top on both sides and zip down about 6".

10. Continue attaching Belt Rail plastic of side windows from front to back, starting on back top of door surrounds, Hook Belt Rail plastic to back section of door surround.

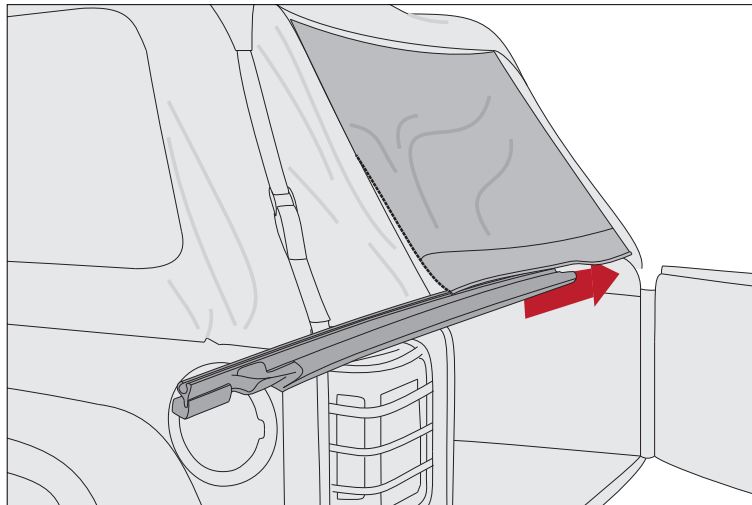


11. Before continuing, ensure rear door zippers have been started on both sides. Set Belt Rail plastic even with factory weather strip at body gutter directly behind door. Continue fastening plastic under Belt Rail lip of body until top is fully attached around back corners of body.



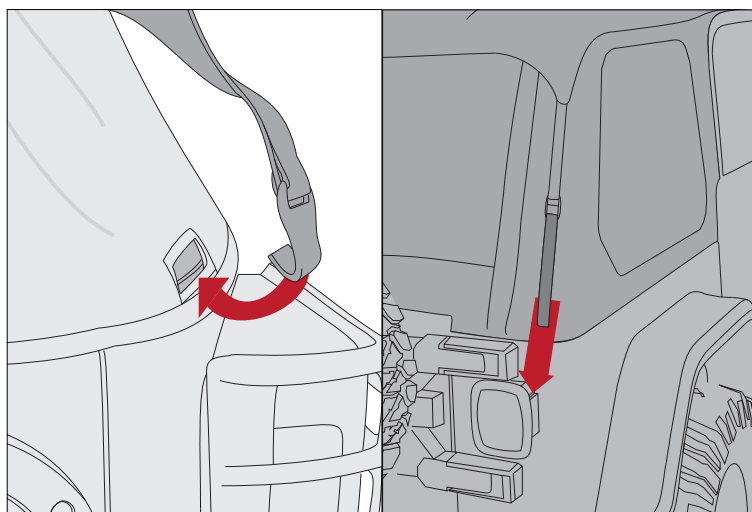
## TJ/LJ Bowless Top

12. Slide rear bar into tube plastic on bottom of rear window. Insert Tailgate Bar into side clips, check for evenness side to side. Rotate bar towards inside to lock in place. Zip rear window and pull Hook and Loop closed.



13. On top of rear part of roll bar, pull side to side adjustment straps snug, do not over tighten. Pull three rear window straps snug.

14. Pull roof top down. Handle metal hooks on end of straps with care to avoid damage or injury. Attach flat hooks under Belt Rail at reinforced patches on each side of tailgate; pull straps down snugly. While holding straps in line and secured to the hook and loop, close the cam buckle into the locked position.



15. Bows are easily installed and removed by pushing forward and into or back and out of pocket.

**NOTICE** Whisper bars are intended to help keep water from pooling on front section of top in heavy rains and reduce buffeting at speed. Without bows it is possible for water to pool in front section of top and cause issues with seams because of weight. Top will function normally without but is recommended they in heavy rains when parked.

