



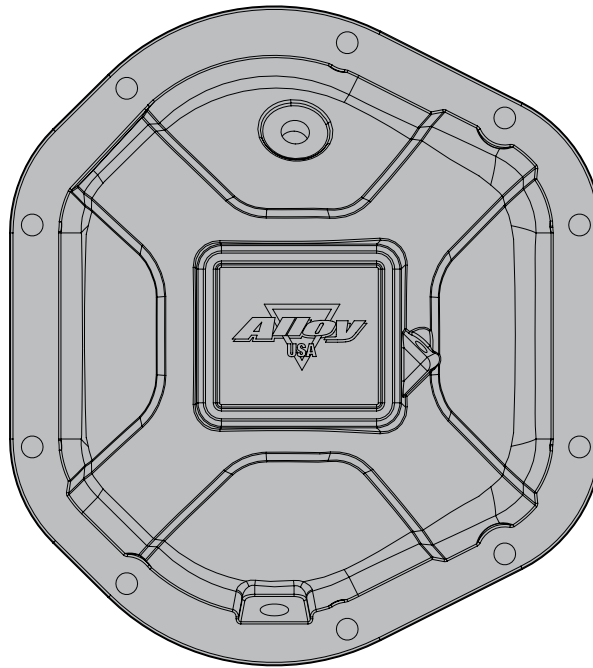
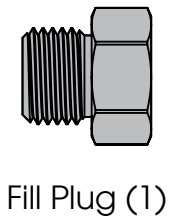
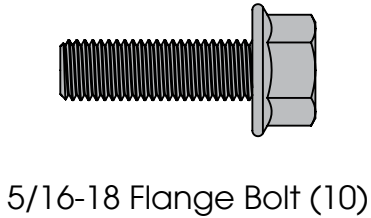
OMIX-ADA, Inc.

Part# 11210
11211
11212

460 HORIZON DR. SUITE 400 | SUWANEE, GA 30024 | PHONE: 770-614-6101 | FAX: 770-614-6069 | info@omix-ada.com

Alloy USA Aluminum Differential Covers

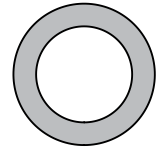
Components



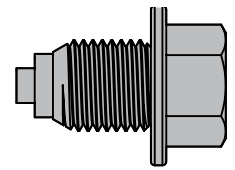
Differential Cover
(Dana44 Cover Shown)



1/4 Washer (1)



1/2 Washer (2)



Drain Plug (1)

NOTICE

• Deep scratches and marring of sealing surfaces can cause gasket failure during installation. Take care to protect these surfaces.

• Be sure to use RTV sealant recommended for use with oil.

• It is recommended to use soft-set anti-sieze compound on threads of Drain Plug, Fill Plug, and Dipstick Bolt.



OMIX-ADA® TECHNICAL SUPPORT

PHONE: M-F 8am - 5pm EST 1-800-449-6649 | EMAIL: techsupport@omix-ada.com

FOR WARRANTY INFORMATION VISIT: www.Omix-Ada.com

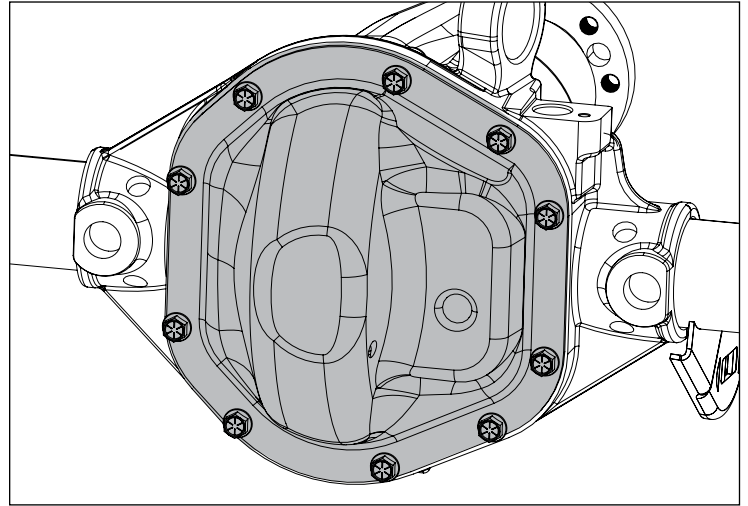


OMIX-ADA, Inc.

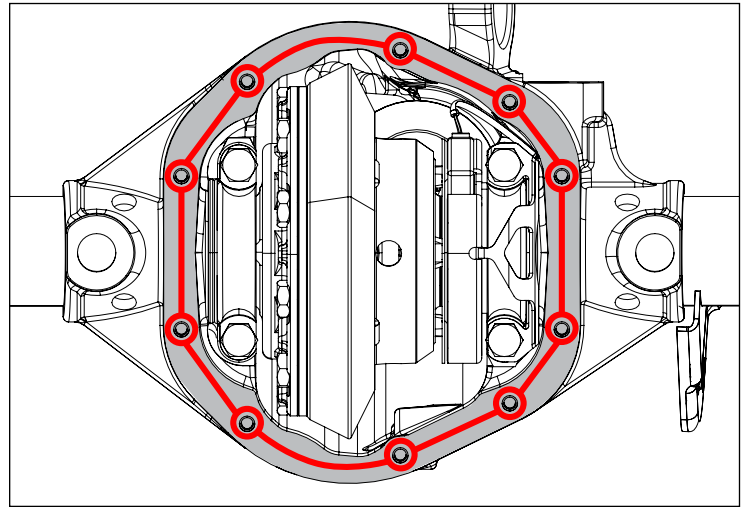
460 HORIZON DR. SUITE 400 | SUWANEE, GA 30024 | PHONE: 770-614-6101 | FAX: 770-614-6069 | info@omix-ada.com

Alloy USA Aluminum Differential Covers

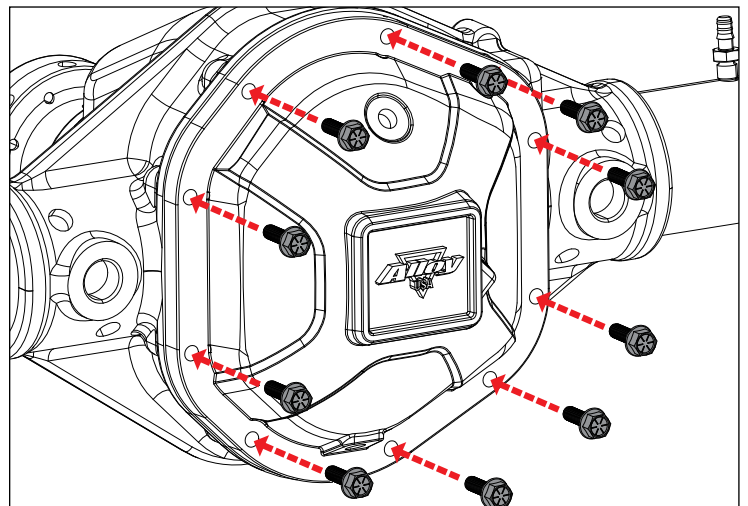
1. Drain oil if housing or current cover is equipped with a drain plug. Remove bolts from existing cover. Unattach cover from axle housing. Remove all gasket residue from axle housing sealing surface.



2. Apply RTV sealant to housing flange.



3. Install Aluminum Differential Cover using supplied 5/16" Flange Bolts. Torque bolts to 30 ft-lbs using a criss-cross pattern.



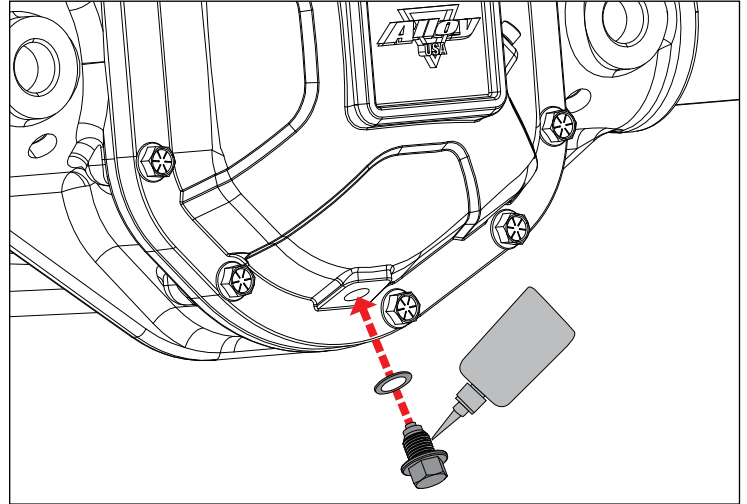


OMIX-ADA, Inc.

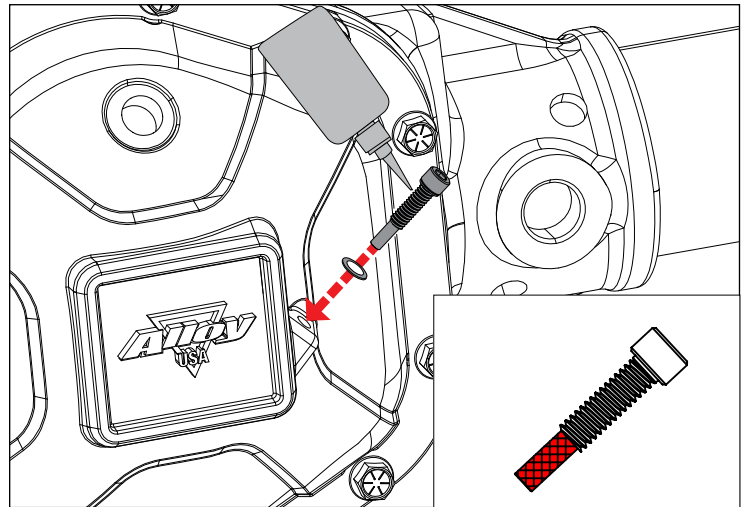
460 HORIZON DR. SUITE 400 | SUWANEE, GA 30024 | PHONE: 770-614-6101 | FAX: 770-614-6069 | info@omix-ada.com

Alloy USA Aluminum Differential Covers

4. Install Drain Plug and 1/2" Washer into bottom of Aluminum Differential Cover.



5. Install Dipstick Bolt and 1/4" Washer. Fill housing with gear oil. Periodically remove and check dipstick bolt for correct capacity. This will be indicated by oil on the Dipstick Bolt in the highlighted area. Do not fill past cross hatching marks. Ensure Dipstick Bolt is reinstalled after final check of full capacity.



6. Install Fill Plug and 1/2" Washer.

