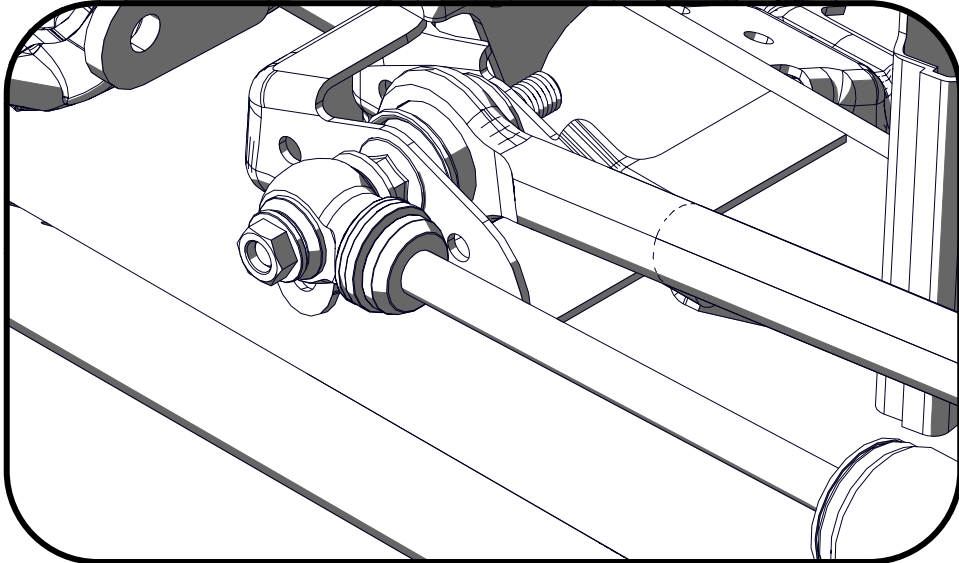
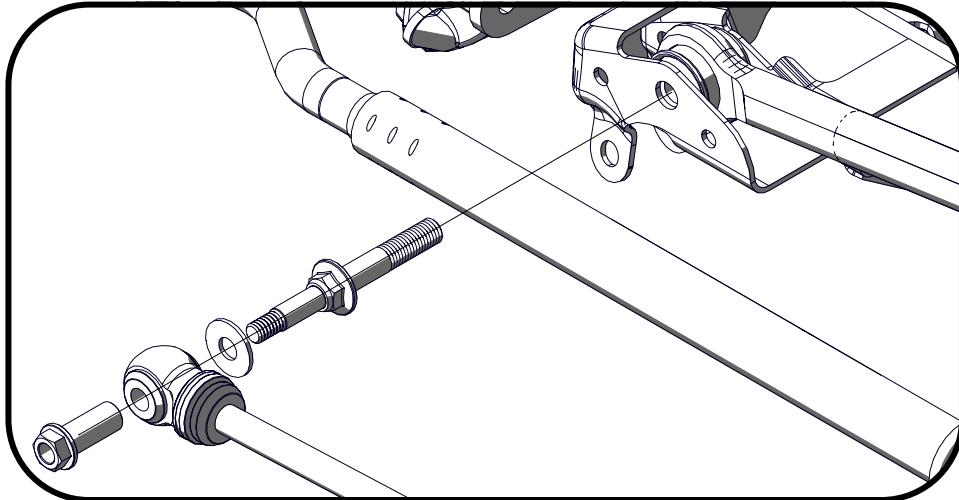


The large diameter body of the 2.0 Fox steering stabilizer will not clear the track bar bracket when mounted on a 2007-2009 JK Wrangler. Fox part #803-02-028 is an axle side track bar replacement bolt that has a built in stud to mount the steering stabilizer and raise it above the centerline of the axle tube. The factory mount on the tie rod does not provide proper bushing alignment on the steering stabilizer. Fox part #803-02-040 is a mounting clamp that will correct this alignment. TeraFlex part #1980880 provides both the stud and tie rod clamp in one kit. Either the Fox or TeraFlex kit is required when installing a 2.0 Fox steering stabilizer on a 2007-2009 JK Wrangler. It is not necessary to relocate the steering stabilizer on 2010 and newer JK Wranglers, though it may be desirable to move the steering stabilizer out of harms way. These kits are not included with the purchase of your Fox steering stabilizer and must be purchased separately.



The large diameter body of the 2.0 Fox steering stabilizer will not clear the track bar bracket when mounted on a 2007-2009 JK Wrangler. Fox part #803-02-028 is an axle side track bar replacement bolt that has a built in stud to mount the steering stabilizer and raise it above the centerline of the axle tube. The factory mount on the tie rod does not provide proper bushing alignment on the steering stabilizer. Fox part #803-02-040 is a mounting clamp that will correct this alignment. TeraFlex part #1980880 provides both the stud and tie rod clamp in one kit. Either the Fox or TeraFlex kit is required when installing a 2.0 Fox steering stabilizer on a 2007-2009 JK Wrangler. It is not necessary to relocate the steering stabilizer on 2010 and newer JK Wranglers, though it may be desirable to move the steering stabilizer out of harms way. These kits are not included with the purchase of your Fox steering stabilizer and must be purchased separately.

