

Installation Instructions

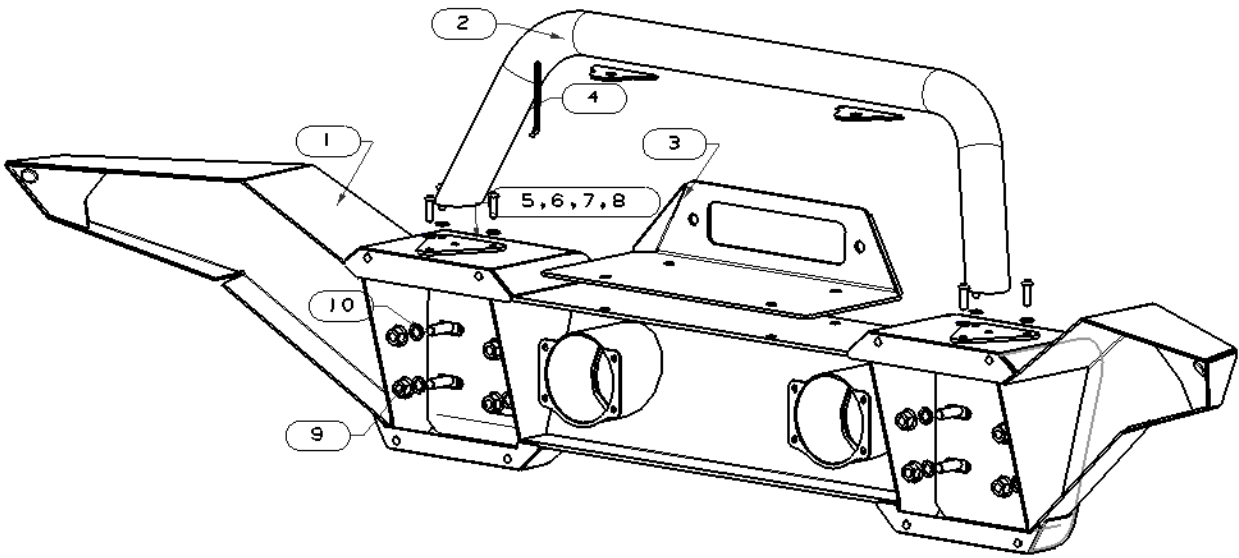
Description: BUMPER FOR JEEP WRANGLER JK, JL Gladiator JT

#	Description	Qty	Specificati on	#	Description	Qty	Specificatio n
1	bumper	1		6	Inner hexagon flat head screw	6	M8x25
2	The mounting bracket	1		7	Enlarged washer	6	D8
3	Lock guide	1		8	Flat washer	6	D8
4	Allen wrench	1	S=5	9	Hexagon flange nut	8	M12
5	Hexagonal nut	6	M8	11	Spring washer	8	D12

Installation Steps:

1. Remove the original pump first.
2. Check the pump to install the main body and installation parts.

The guide lock is mounted on the pump






SCAN TO SEE



INSTALL VIDEO