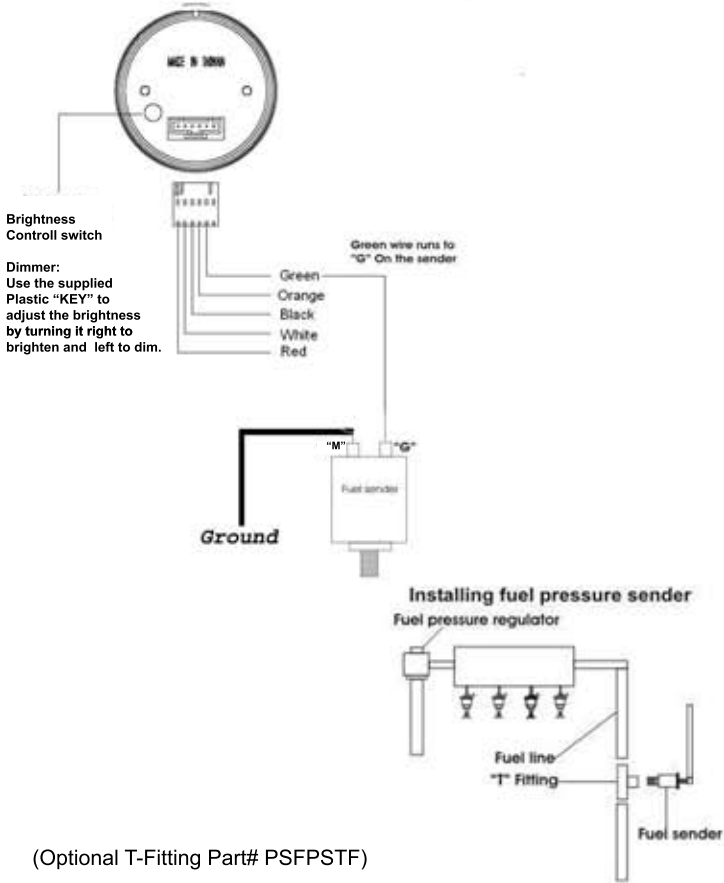


Prosport Inc.

EVO Series Fuel Pressure (EGT Below) Green/White Display

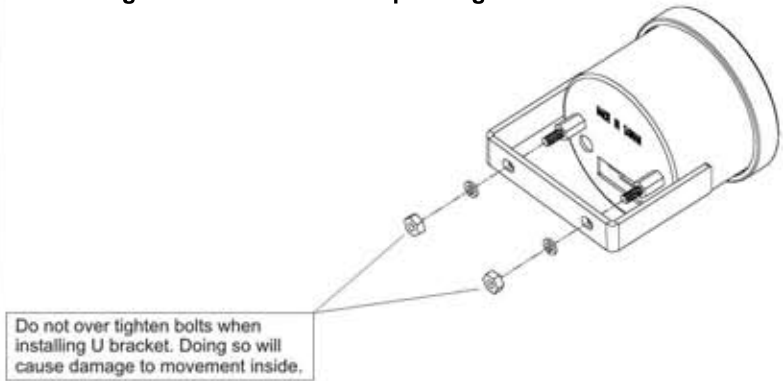


Wiring Instructions

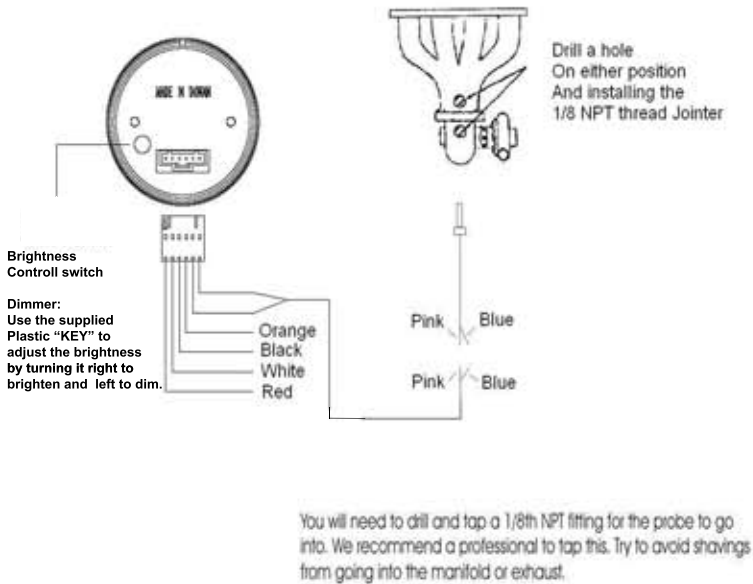
- Red Wire-** 12v Accessory Power
- White Wire-** 12v Accessory Power
- Black Wire-** Ground
- Orange Wire-** 12v Headlight Switched Power (This is a power source that only gets power when headlights are on)
- Green Wire-** Runs to the "G" Terminal on the pressure sensor

Installing the sensor:

You will notice there are two terminal posts on the pressure sensor. Fuel pressure sender thread pitch is 1/8th NPT. It is suppose to become tighter when installing, Please do not over tighten the sensor. "G" is the signal wire (connect Green wire to "G") "M" is a ground. Please run a separate ground to this terminal



EVO Series Exhaust Gas Temp. Gauge Green/White Display



You will need to drill and tap a 1/8th NPT fitting for the probe to go into. We recommend a professional to tap this. Try to avoid shavings from going into the manifold or exhaust.

Wiring Instructions

- Red Wire-** 12v Accessory Power
- White Wire-** 12v Accessory Power
- Black Wire-** Ground
- Orange Wire-** 12v Headlight Switched Power (This is a power source that only gets power when headlights are on)
- Pink Wire-** Connects to Pink wire on sensor
- Blue Wire-** Connects to Blue wire on sensor

Lighting Options

Day Time	Night Time	Installation
White	White	White-- Connect to acc. Power
		Orange-- Do not connect
Green	Green	White-- Do not connect
		Orange-- Connect to acc. Power
White	Green	White-- Connect to acc. Power
		Orange-- Connect to Headlight Switched Power White-- Connect to Headlight Switched Power
Green	White	Orange-- Connect to acc. Power