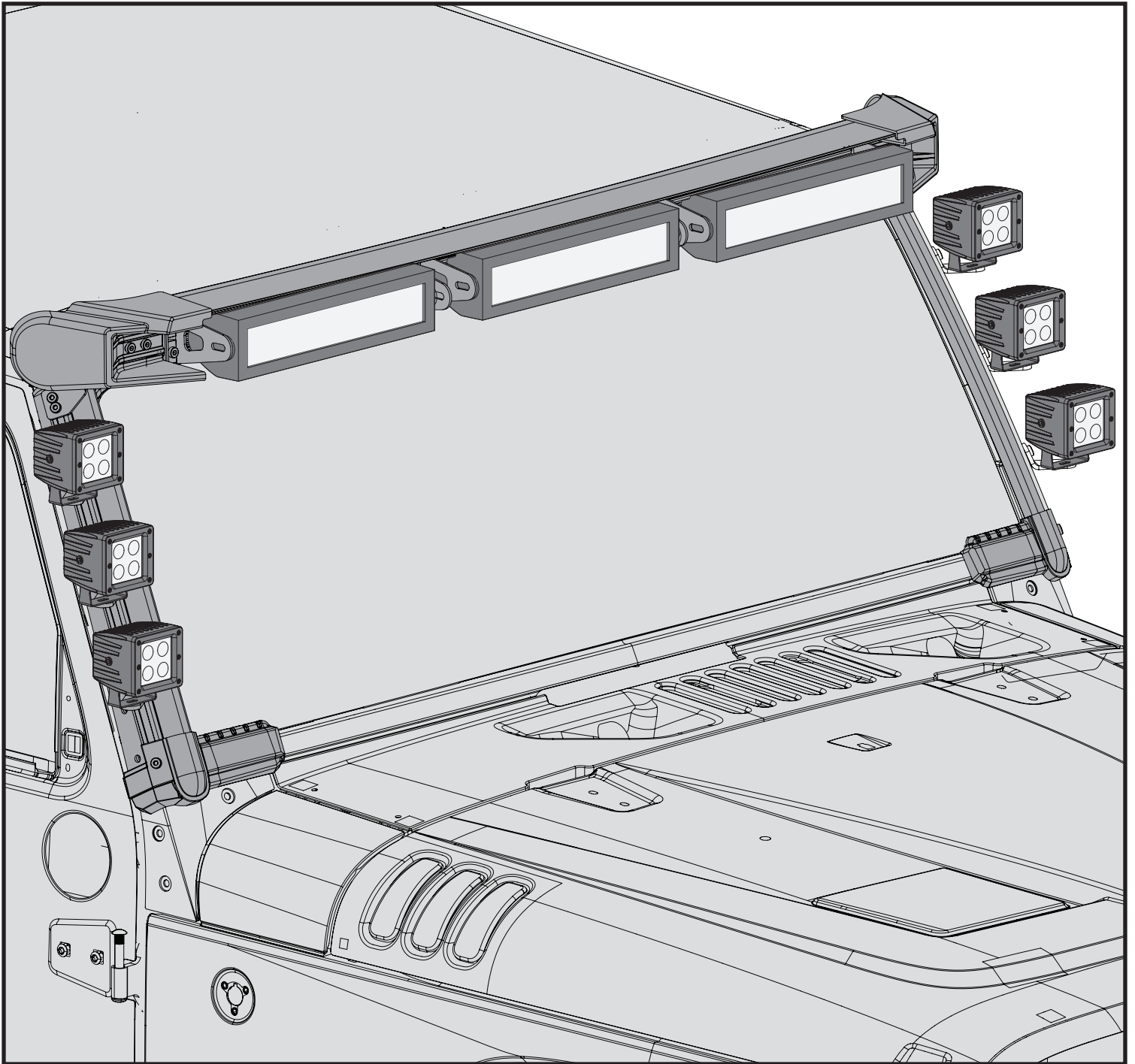
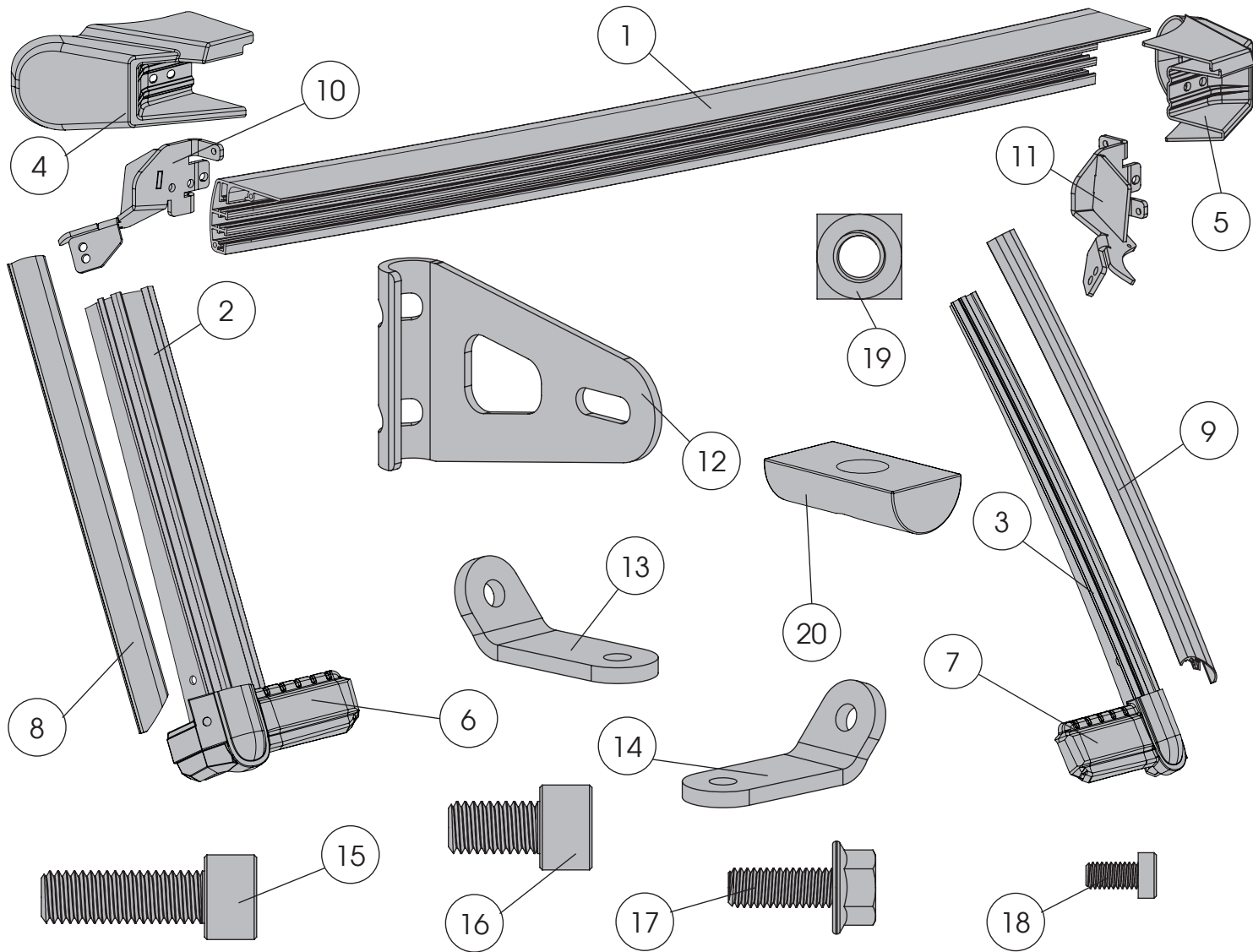


Fast Track Accessory Bar PATENT PENDING



Fast Track Accessory Bar PATENT PENDING



Components

- | | | | |
|---------------------------|-----|---------------------------|------|
| 1. Crossbar | (1) | 11. Connector Bracket, LH | (1) |
| 2. A-Pillar Cover, RH | (1) | 12. Crossbar Bracket | (6) |
| 3. A-Pillar Cover, LH | (1) | 13. A-Pillar Bracket, RH | (4) |
| 4. Upper Cap, RH | (1) | 14. A-Pillar Bracket, LH | (4) |
| 5. Upper Cap, LH | (1) | 15. Long M8 Bolt | (12) |
| 6. Lower Cap, RH | (1) | 16. Short M8 Bolt | (20) |
| 7. Lower Cap, LH | (1) | 17. M6 Flange Bolt | (4) |
| 8. Wire Cover, RH | (1) | 18. M4 Bolt | (2) |
| 9. Wire Cover, LH | (1) | 19. M8 Square Nuts | (32) |
| 10. Connector Bracket, RH | (1) | 20. M8 Half Round Washer | (12) |

OMIX-ADA® TECHNICAL SUPPORT

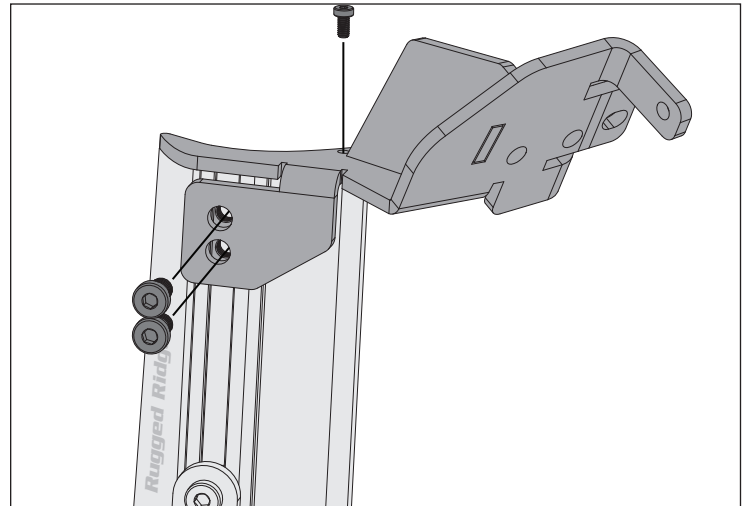
PHONE: M-F 8am - 5pm EST 1-800-449-6649 | EMAIL: techsupport@omix-ada.com

FOR WARRANTY INFORMATION VISIT: www.Omix-Ada.com

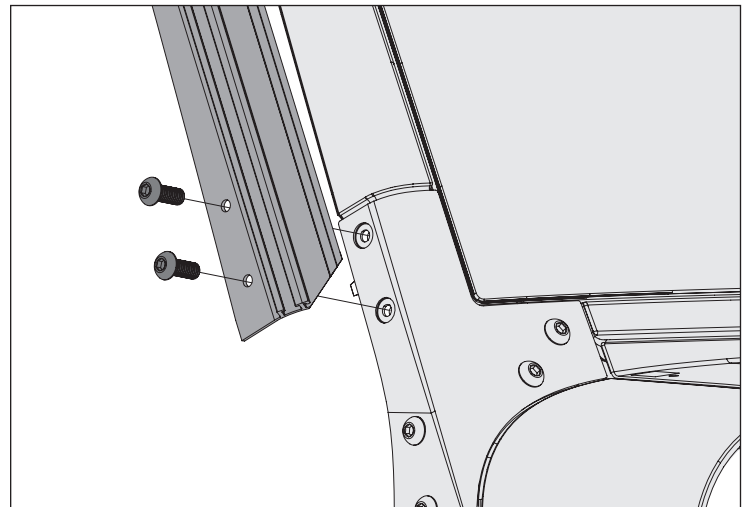
Fast Track Accessory Bar PATENT PENDING

1. Construct A-pillar Assembly by attaching Connector Brackets to the top of A-pillar Covers using Short M8 Bolt, M4 Bolt, and M8 Square Nut.

NOTICE If not attaching assesity to A-pillar Covers, skip to Step 5.

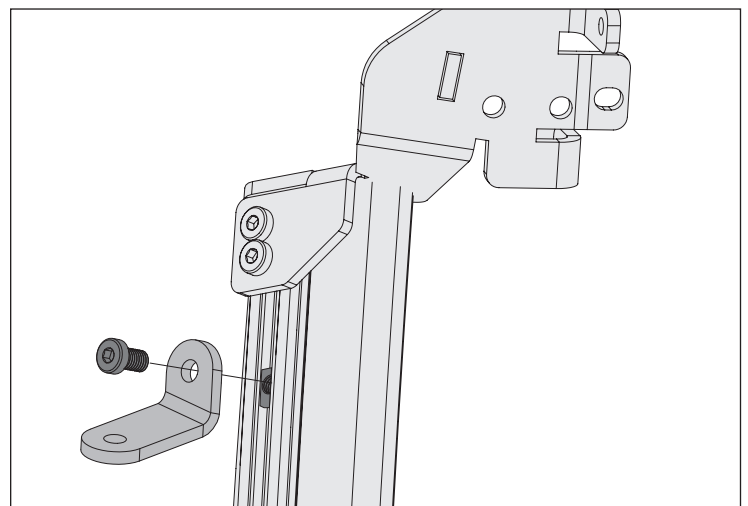


2. Using T40 Torx wrench, remove two upper OE bolts on windshield brackets. Loosely attach A-pillar Covers using previously removed OE bolts.



3. Attach A-Pillar Bracket using Short M8 Bolt and Square Nut in A-pillar Cover's channel. Attach accessory to A-Pillar Bracket. Align accessory per personal preference. To allow easier installation of Lower Caps, remove A-pillar Assembly from vehicle.

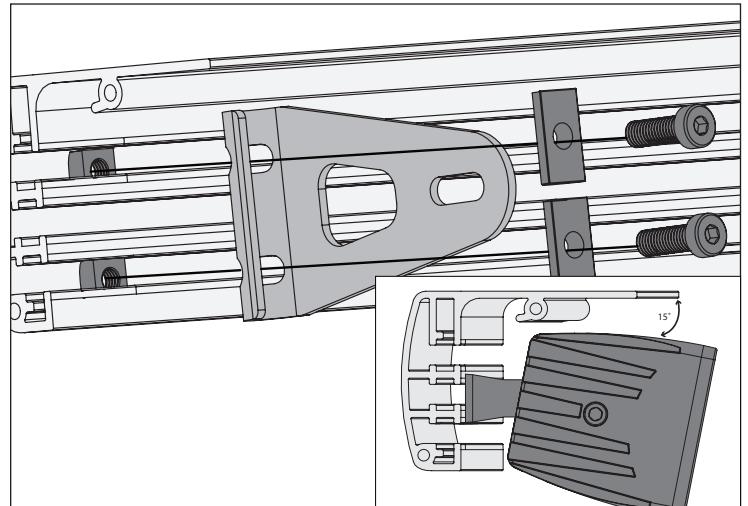
NOTICE If wiring lights, mark locations on wire cover for cutting holes.



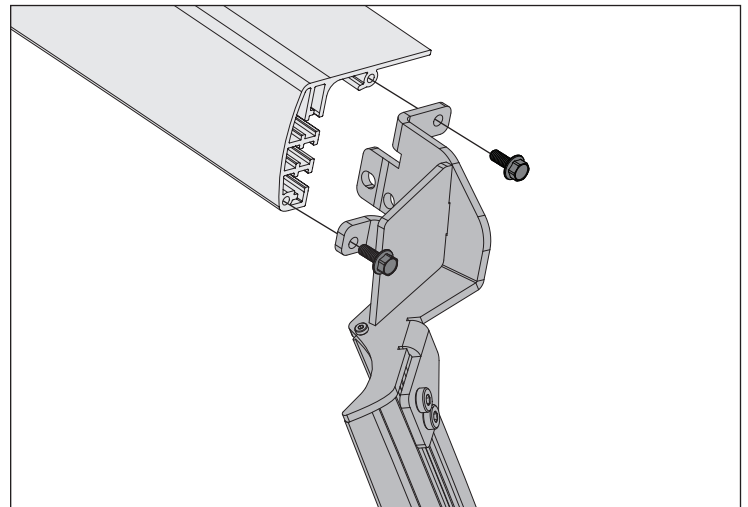
Fast Track Accessory Bar PATENT PENDING

4. Install lights to Crossbar, using either Crossbar Brackets or brackets included with light. Using supplied Long M8 Socket Cap Bolt, Half Round Washer, and M8 Square Nut attach Crossbar Bracket to Crossbar.

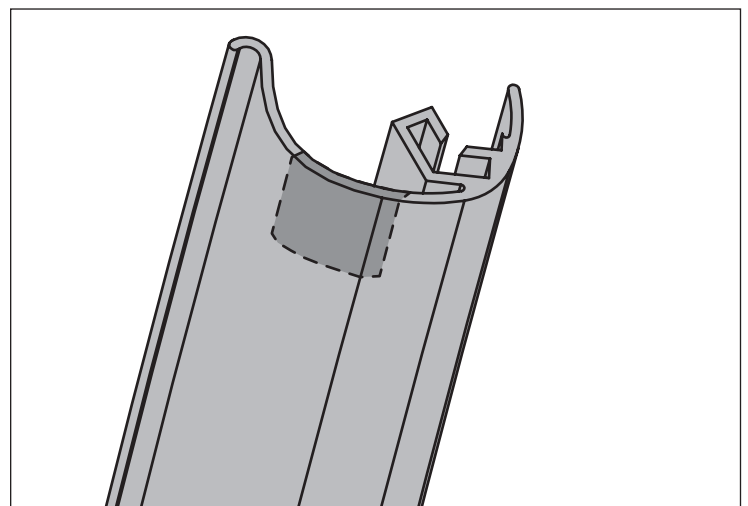
NOTICE Installing lights at a 15 degree angle from top of crossbar is recommended for lights to be parallel to ground.



5. Carefully attach both A-pillar Assemblies to Crossbar using M6 Bolts.

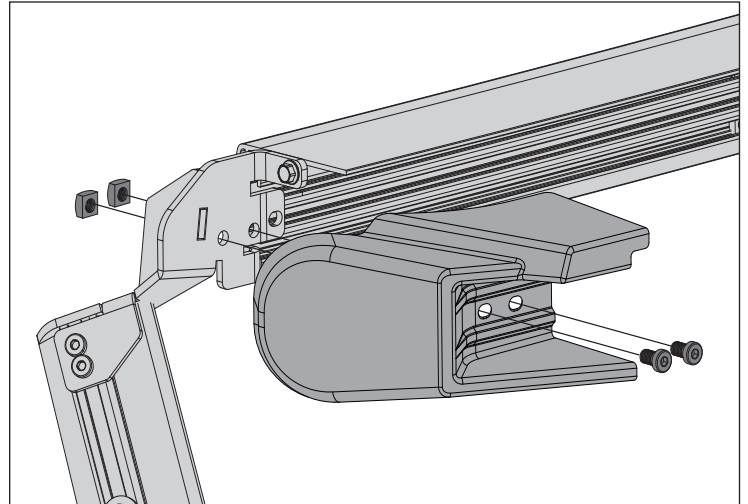


6. Create a small cut out in rubber extrusion near Connecting Bracket. Cut out holes marked in Step 3. Reattach rubber extrusion to A-pillar Bracket and feed wires through created hole(s).

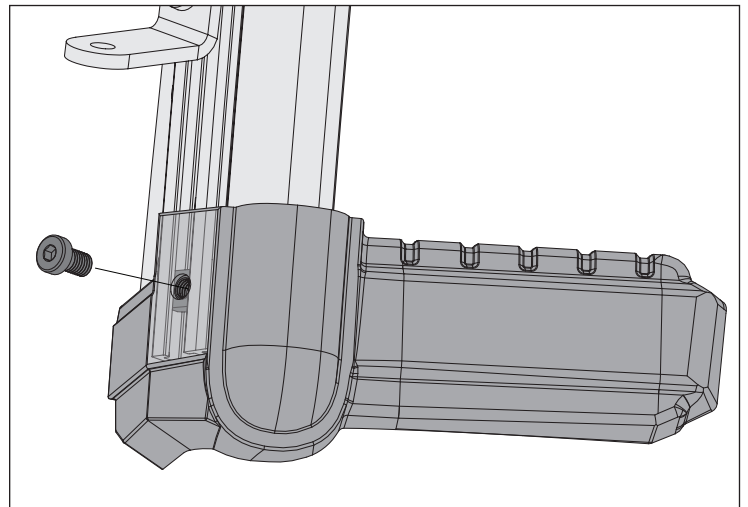


Fast Track Accessory Bar PATENT PENDING

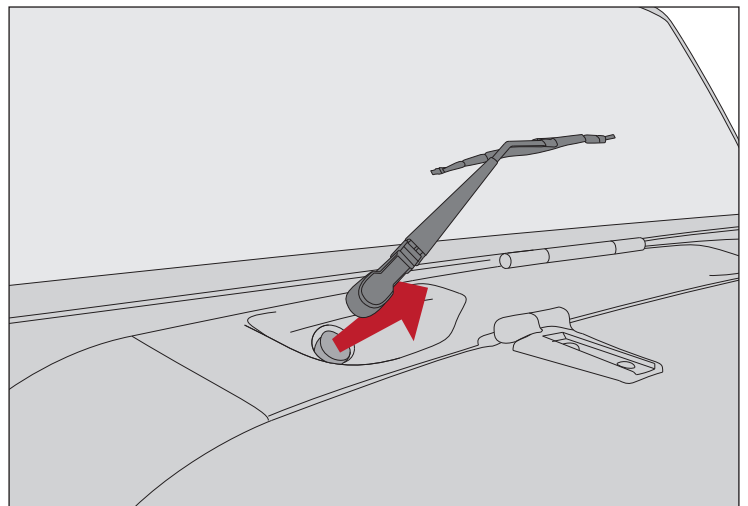
7. Attach Upper Caps to Connecting Brackets using supplied Short M8 Bolts and M8 Square Nuts.



8. Attach Lower Cap to A-Pillar Cover using Short M8 Bolt and M8 Square Nuts.

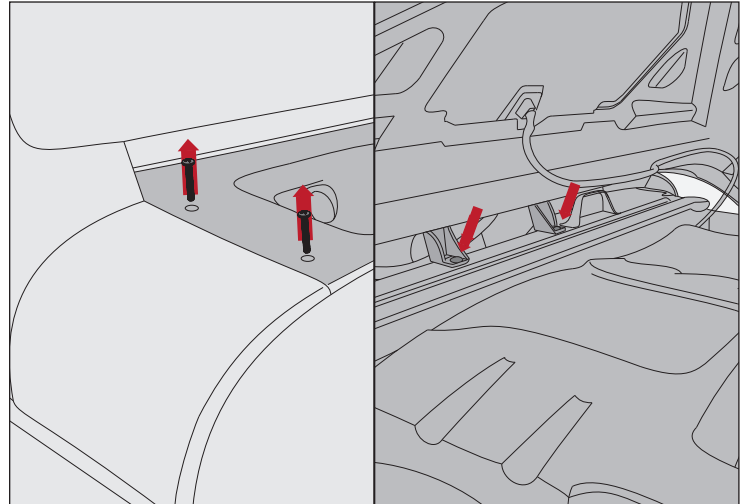


9. Remove Windshield wipers arms from vehicle.



Fast Track Accessory Bar PATENT PENDING

10. Remove cowl screws using T30 Screw driver or socket. Lift hood. Carefully remove cowl center plastic retainer clips using a flat head screw driver and carefully remove cowl cover from vehicle. Close hood.



11. Using T40 Screw driver or socket, remove two upper OE bolts from windshield brakets. Position Light Bar Assembly on factory windshield bracket and secure Light Bar Assembly using previously removed OE bolts.

CAUTION Use helper to mount Light Bar Assembly to vehicle.

12. Make any needed adjustments to lights and finish running wires. Reattached cowl cover and windshield wiper arms.

