

HEAVY DUTY BUMPER INSTALLATION FBM21JPN

2007-17 Jeep Wrangler JK (With Nose Guard)

LOOSE FIT ALL COMPONENTS.
DO NOT TIGHTEN UNTIL ALL
COMPONENTS ARE INSTALLED
AND ADJUSTED.

DISCLAIMER: USE ONLY COMPONENTS
AND HARDWARE SUPPLIED BY ICI.
NO SUBSTITUTIONS.

Hardware Kit Includes:

- (1) 8 – Hex head Nuts (3/8"-16) Grade 8
- (2) 8 – Lock washers (3/8")
- (3) 8 – Flat washers (3/8")

Components List:

- 1 – Heavy Duty Bumper
- 1 – Winch Mounting Plate (BP2195)

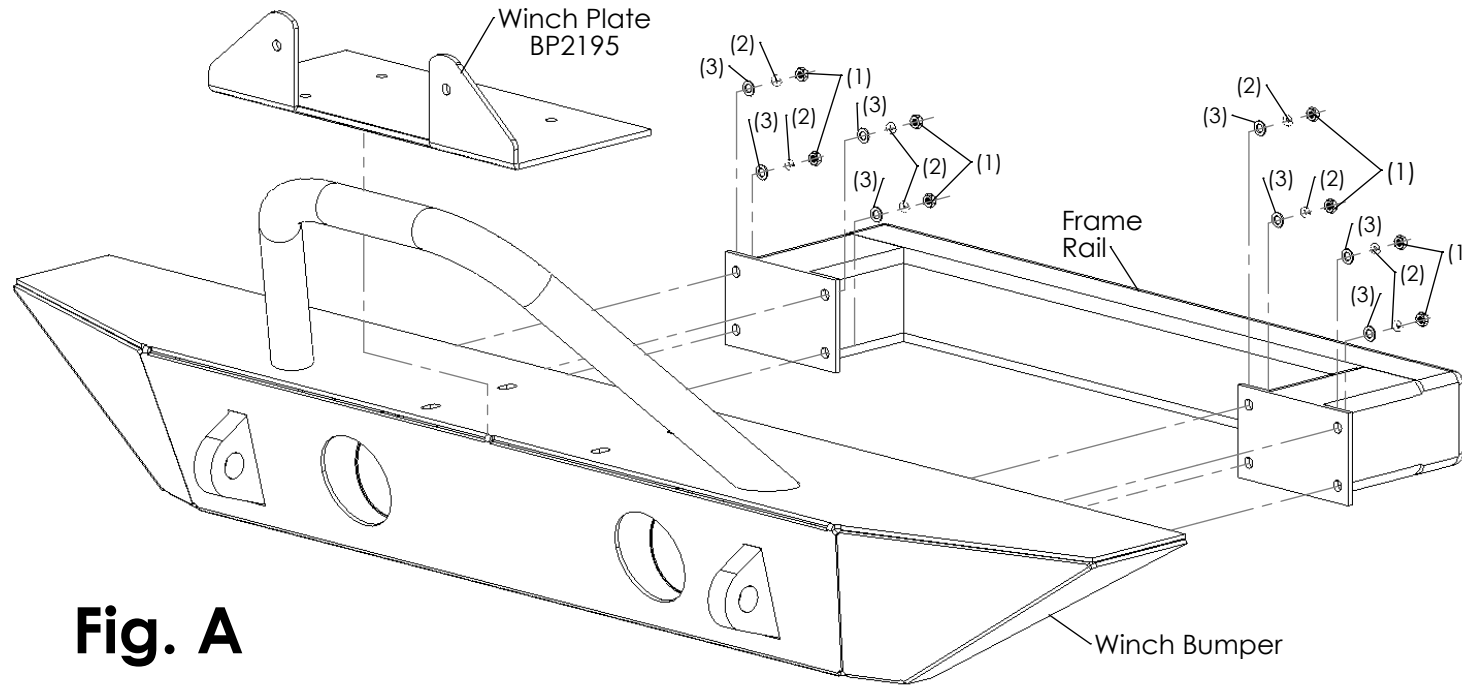


Fig. A

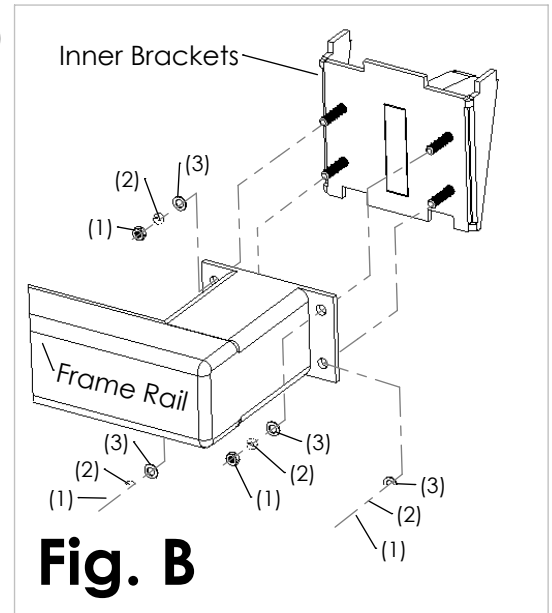


Fig. B

Step by Step Installation Instructions

STEP 1: Read and understand instructions completely before beginning installation.

VEHICLE PREPERATION

STEP 2: Loosen the factory bolts holding bumper to the frame (4 per side). *Note: Make sure to support bumper BEFORE removing factory nuts.* With the bumper supported remove the bolts holding the bumper to the frame.

STEP 3: Pull outward on bumper to access fog lamps. Disconnect the factory fog lamp connectors and proceed to remove bumper from the front of the truck. With the bumper removed from the truck, remove the top bumper plastic trim using Phillips screwdriver.

STEP 4: Remove fog lamp assembly from factory bumper and install into light pockets of new winch bumper using factory screws.

BUMPER INSTALLATION

STEP 5: Remove and layout all components from the box on a blanket (to prevent damage to the powder coating).

STEP 6: Line up bolts from inner mounting brackets in bumper, and holes in front frame rail mounting plates as shown (Fig. B).

STEP 7: Push bolts through holes and attach using hex head nuts (1), lock (2) and flat (3) washers as shown (Fig. A, and Fig. B).

STEP 8: If installing winch, do so now. Install winch plate #BP2195 and winch following instructions provided with the winch. Install fairlead onto front winch plate.

STEP 9: Check fit and alignment.

- Adjust the bumper and tighten all fasteners.