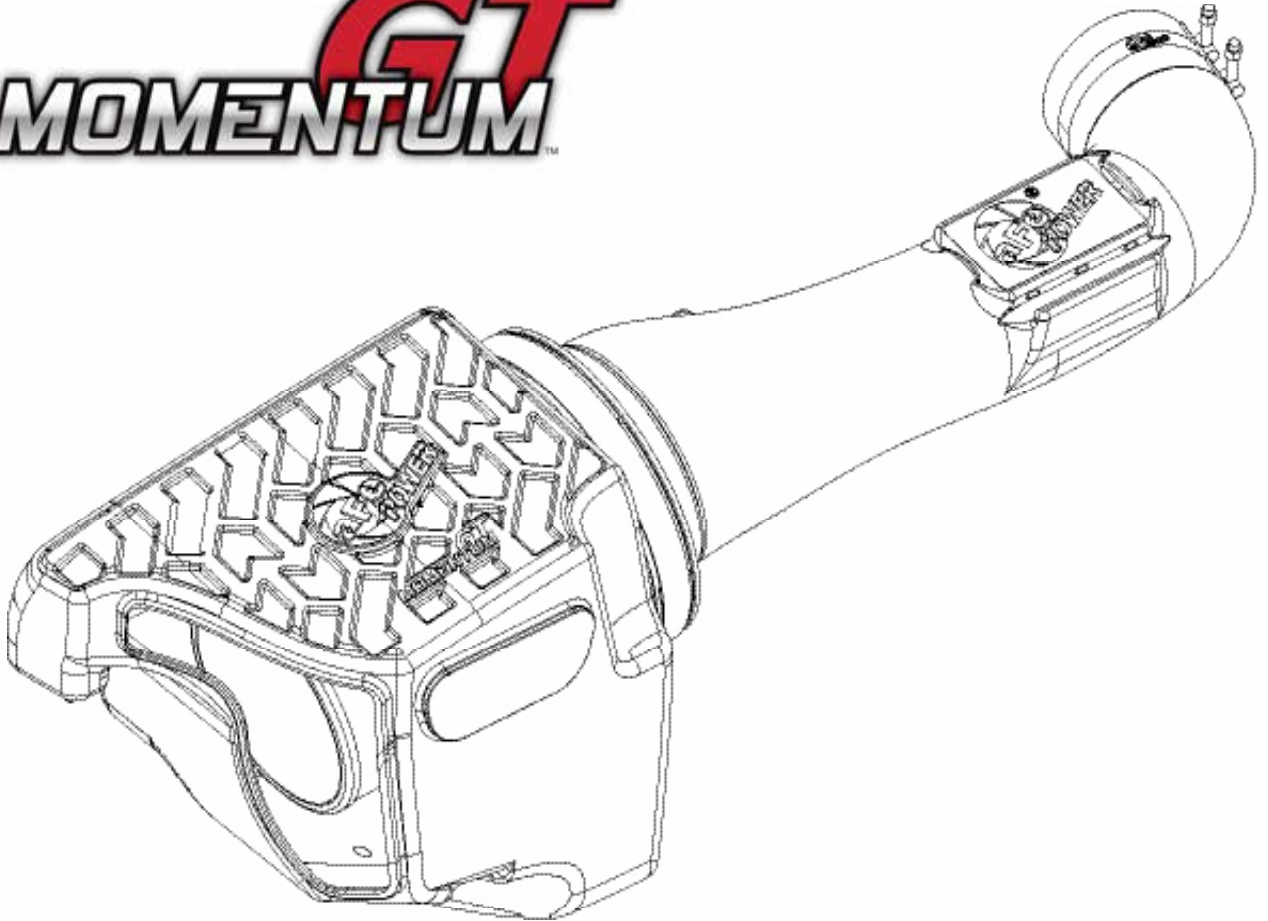


**GT**  
**MOMENTUM™**



**advanced FLOW engineering** Momentum Air Intake

**Instruction Manual** P/N: 51-76204 / 54-76204 / 75-76204

Make: **Jeep** Model: **Wrangler (JK)** Year: **2012-2018** Engine: **V6-3.6L**  
**CARB Exempt 2012-2016 under D-550-27**



- Please read the entire instruction manual before proceeding.
- Ensure all components listed are present.
- If you are missing any of the components, call customer support at 951-493-7100.
- Ensure you have all necessary tools before proceeding.
- Do not attempt to work on your vehicle when the engine is hot.
- Disconnect the negative battery terminal before proceeding.
- Retain factory parts for future use.

Label	Qty.	Description	Part Number
A1	1	Air Filter (Pro DRY S)	21-91062
A2	1	Air Filter (Pro 5R)	24-91062
A3	1	Air Filter (Pro GUARD 7)	72-91062
B	1	Tube	05-76204B1
C	1	Housing	05-76204B2
D	2	Clamp, T-bolt, (3-5/16-3-5/8)	03-50292
E	1	Clamp, T-bolt, (7-7.38)	03-50290
F	1	Coupler, Silicone Straight	05-01223
G	1	Hose, Fuel: 5/8" (9" inches)	05-00069
H	1	Plug, Airbox	05-00937
I	1	Fitting, Air Temp Sensor	05-01454
J	1	Grommet, Rubber	03-50167

Tools needed: 8mm nut driver, 10mm nut driver, 7/16" nut driver and 1/4" driver with 10mm deep socket.



B

C

A1

A2

A3

J

I

G

H

F

D

D

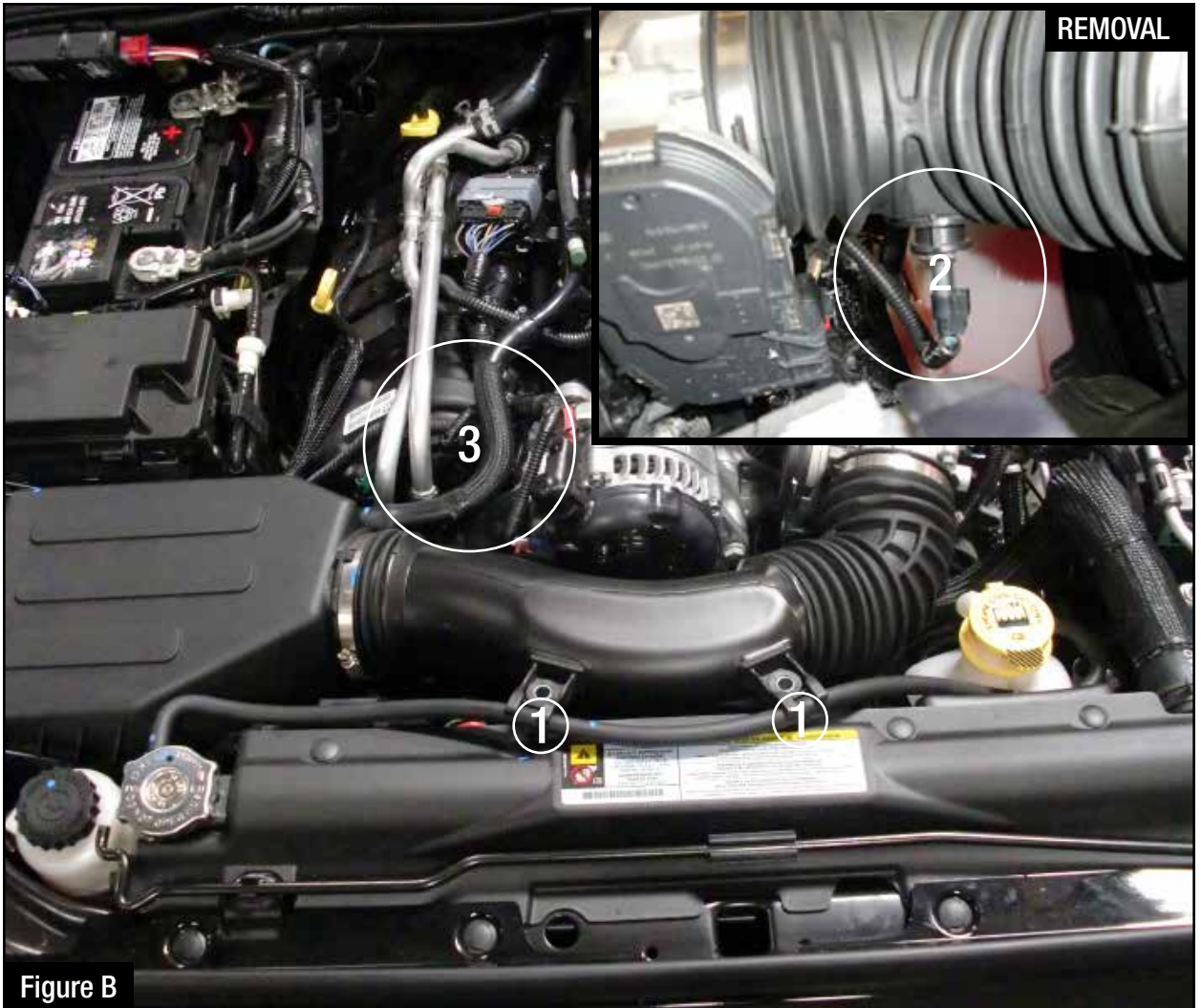
E



Figure A

**Refer to Figure A for Step 1**

Step 1: Remove the engine cover by lifting firmly out of the vehicle..



### **Refer to Figure B for Steps 2-6**

Step 2: Remove the two 10mm bolts from the intake tube. ①

Step 3: Disconnect the temp sensor wire harness. ②

Step 4: Loosen the hose clamp at the throttle body.

Step 5: Completely remove the small section of crankcase vent (CCV) hose. It should be pulled off of the air filter housing and the tube to the engine. ③

Step 6: Remove the stock intake tube, and air filter housing by pulling straight up and out of the vehicle.





Figure C

**Refer to Figure C for Step 7**

Step 7: Twist the temp sensor about 45 degrees counter-clockwise and pull it straight up to remove from stock tube.



Figure D

**Refer to Figure D for Step 8**

Step 8: Remove the 10mm bolt that secures the plastic tray onto the inner fender, but do not remove the plastic tray. ④



Figure E

**Refer to Figure E for Step 9**

Step 9: Install the housing into the vehicle as shown. Secure the housing using the provided M6 x 25mm screw and M6 flat washer. ⑤





Figure F

**Refer to Figure F for Steps 10-11**

Step 10: Slide 7.00" clamp over flange on housing. ⑥

Step 11: Install the air filter into the housing and slide clamp 5.50" over end of filter. ⑦



**Refer to Figure G for Steps 12-13**

Step 12: Insert the provided grommet into the new aFe intake tube.

Step 13: Insert the OE temp sensor into the grommet.

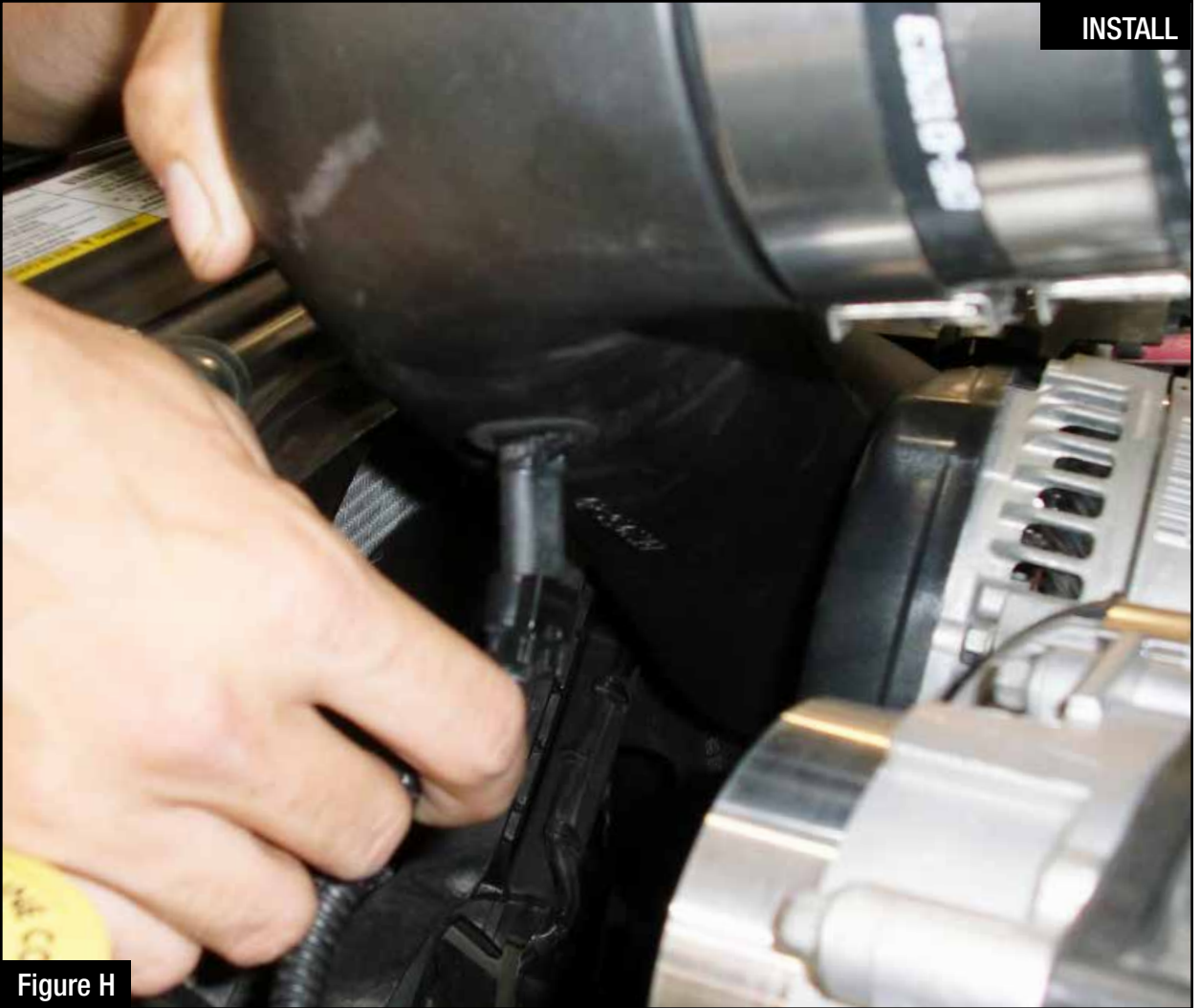


Figure H

**Refer to Figure H for Steps 14**

Step 14: Plug in the temp sensor harness.



**Figure I****Refer to Figure I for Steps 15-19**

- Step 15: Place the silicone coupler onto the small end of the intake tube. ⑧
- Step 16: Place the two 3.50" clamps over the coupler and then drop tube assembly into the filter. ⑨
- Step 17: Place the larger end of the intake tube into the filter first then slide onto throttle body. Make sure all of the t-bolt clamps are loose at this time in order to install the tube easily.
- Step 18: Snap the coolant line into the clip on the front of the aFe intake tube.
- Step 19: Install the new CCV hose (Note: use lubricant on the outside of the OE tube).





Figure J

**Refer to Figure J for Steps 20**

Step 20: Tighten all clamps and re-install engine cover. Your install is now complete.

**NOTE: Retighten all connections after approximately 100-200 miles.**

**Please enclosed CARB EO sticker on or near the device on a smooth, clean surface.**

**EO identification label is required to pass the smog inspection.**



Pro DRY S Air Filter



P/N: 21-91062

Pro 5R Air Filter



P/N: 24-91062

Pro GUARD 7 Air Filter



P/N: 72-91062

Blue Squeeze Restore Kit



P/N: 90-50501

Blue Aerosol Restore Kit



P/N: 90-50001

Gold Aerosol Restore Kit



P/N: 90-50000

Gold Squeeze Restore Kit



P/N: 90-50500

aFe Power Hat



P/N: 40-10083

Pro DRY S Restore Kit



P/N: 90-59999

To purchase any of the items above, view airflow charts, dyno graphs, photos, and video; please go to [aFepower.com](http://aFepower.com).

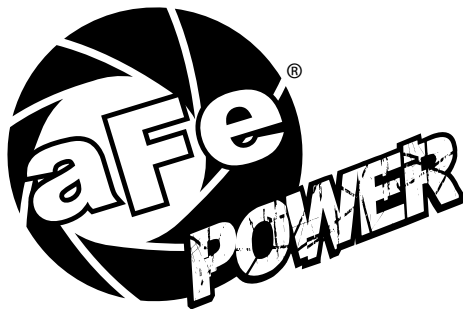
# Warranty

## General Terms:

- aFe warrants their products to be free from manufacturer's defects due to workmanship and material.
- This warranty applies only to the original purchaser of the product and is nontransferable.
- Proof of purchase of the aFe product is required for all warranty claims.
- Warranty is valid provided aFe instructions for installation and/or cleaning were properly followed.
- Proper maintenance with regular inspections of product is required to insure warranty coverage.
- Damage due to improper installation, abuse, unauthorized repair or alteration is not warranted.
- Incidental or consequential damages or cost, including installation and removal of part, incurred due to failure of aFe product is not covered under this warranty.
- All warranty is limited to the repair and/or replacement of the aFe part. To request Return Goods Authorization ("RGA"), email [RGA@afepower.com](mailto:RGA@afepower.com) or call (951)493-7100. Upon receipt of the RGA, you must return the product to the address provided in the RGA, freight prepaid and accompanied with a dated proof of purchase and the RGA. Upon receipt of the defective product and upon verification of proof of purchase, aFe will either repair or replace the defective product within a reasonable time, not to exceed thirty days.

Product Category	P/N Prefix	Warranty duration
Direct OE Replacement Filters	10, 11, 30, 31, 71, 73	Life of the vehicle
Racing Filters	18	1 year
Universal	21, 24, 72	2 years
Air Intake Systems	50, 51, 54, 55, 75	2 years
Exhaust Systems	49	2 years
Intercoolers & Intercooler Tubes	46-2	2 years
Intake Manifolds	46-1	2 years
Differential Cover	46-7	Life of the vehicle
Exhaust Manifolds	46	2 years
Throttle Body Spacers	46-3	2 years
Fluid Filters	44	90 days
Pre-Filters	28	2 years
Heavy Duty OE Replacement	70	2 years
PowerSports OE Replacement	81, 87	2 years
PowerSports Intake Systems	85	2 years

No other warranty expressed or implied applies nor is any person or advanced FLOW engineering authorized to assume any other warranty. Some States do not allow the exclusion or limitation of incidental or consequential damages or do not allow limitations on how long an implied warranty lasts, so the above limitations or exclusions may not apply to you. This warranty gives you specific legal rights, and you may also have other rights which vary from State to State.



**advanced FLOW engineering, inc.**  
252 Granite Street Corona, CA 92879  
TEL: 951.493.7100 • TECH: 951.493.7134  
E-Mail: [Tech@aFepower.com](mailto:Tech@aFepower.com)