

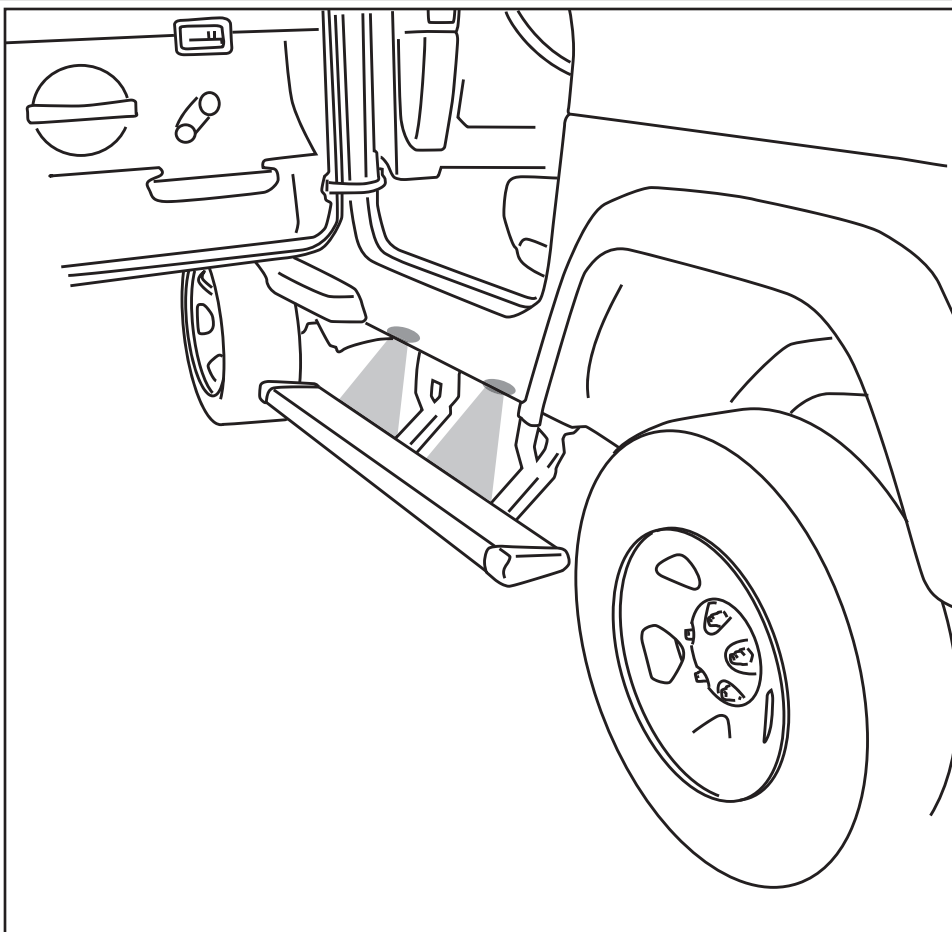
AMP
RESEARCH **Power Step**
MADE IN USA

APPLICATION

Jeep Wrangler Unlimited (JK) 2007–2015
2-Door

AMP Part #

75121-01A



INSTALLATION TIME

3-5 Hours

Professional installation recommended

SKILL LEVEL



4= Experienced

TOOLS REQUIRED

- 13 mm socket
- 13 mm end wrench
- Ratchet wrench and extension
- Wire crimpers
- Wire stripper/cutter
- 3/16" hex key wrench (allen wrench)
- 4 mm hex key wrench (allen wrench)
- 5 mm hex key wrench (allen wrench)

WARRANTY

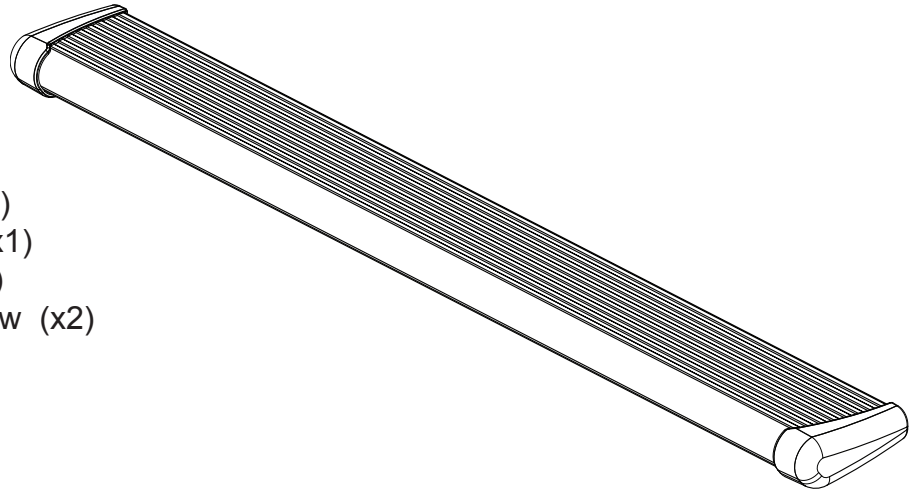
5-Year Limited Warranty

AMP RESEARCH TECH SUPPORT 1-888-983-2204 (Press 2) Monday - Friday, 6:00 AM - 5:00 PM PST

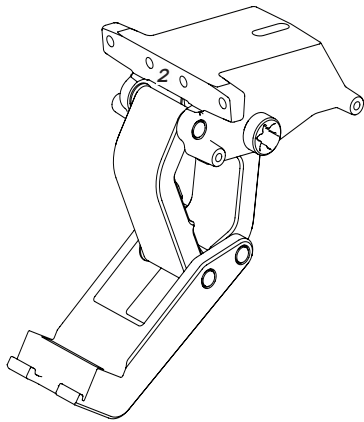
Invented, engineered and manufactured exclusively by AMP Research in the USA. May be covered by one of the following patents: 6,641,158; 6,830,257; 6,834,875; 6,938,909; 7,055,839; 7,380,807; 7,398,985; 7,584,975 ©2012 AMP Research. All rights reserved. Printed in USA.

PARTS LIST AND HARDWARE IDENTIFICATION

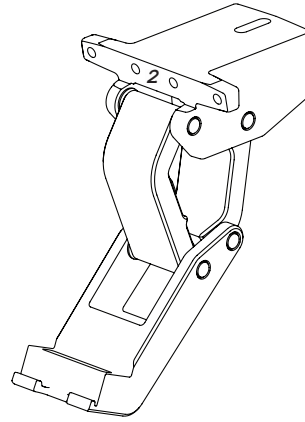
- 19-03199-11 End cap left (x1)
- 19-03199-12 End cap right (x1)
- 18-02663-90 T-nut insert (x2)
- 19-03236-90 Socket cap screw (x2)
- 19-03237-90 Nut plate (x2)



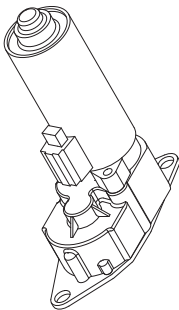
- 1** x2 20-03318-48
Step assembly



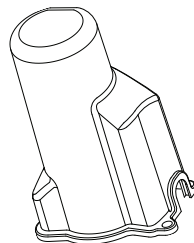
- 2** x2
10-03606-20 Driver (2 door)
10-03606-21 Passenger (2 door)
Motor Linkage



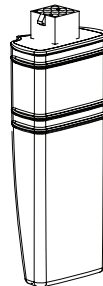
- 3** x2
10-03610-20 (2 door)
Idler Linkage



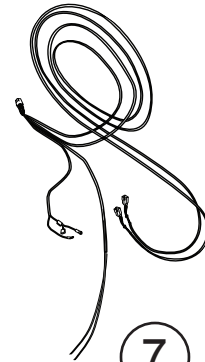
- 4** x2
20-03289-94
Motor



- 5** x2
19-03238-90
Motor Cover



- 6**
19-03297-A06
Controller



- 7**
19-03717-90L
Wire Harness

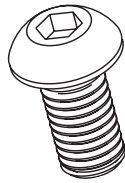
**PARTS LIST AND
HARDWARE
IDENTIFICATION**



8 x4
19-03467-90
U nut



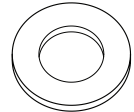
9 x8
19-02802-90
Socket Cap



10 x8
16-02634-90
Button Head Bolt



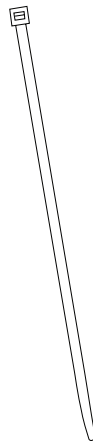
11 x4
19-02740-90
Hex Flange Bolt



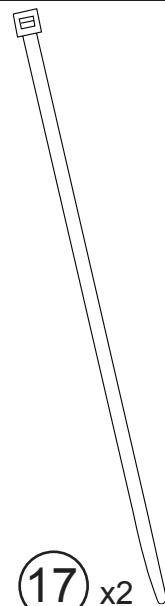
12 x8
16-03014-90
Washer Black



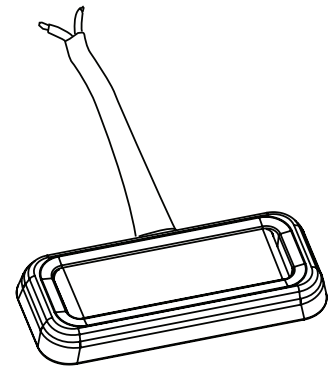
13 x4
19-03354-90
Posi-Taps™ (Red/Grey)



16 x20
19-02805-90
Cable Tie 6"



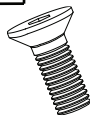
17 x2
19-03339-90
Cable Tie 11"



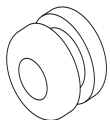
18 x4
19-03302-90
LED Lamp



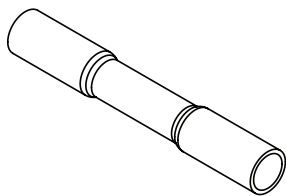
14 x6
19-02721-90
Cinch Fastener



15 x2
19-03352-90
Flat Head
Cap Screw



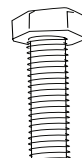
19 x4
19-02640-90
Grommet



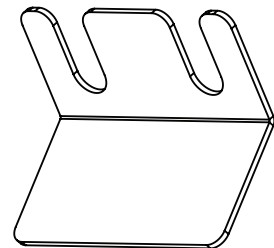
20 x8
19-03911-90
Butt Connector



21 x2
19-03897-90
Washer



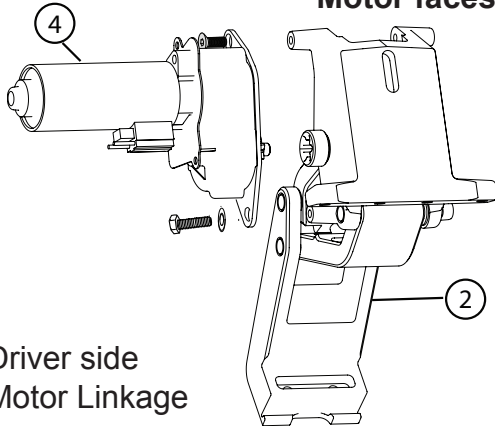
22 x2
19-03918-90
Hex Bolt



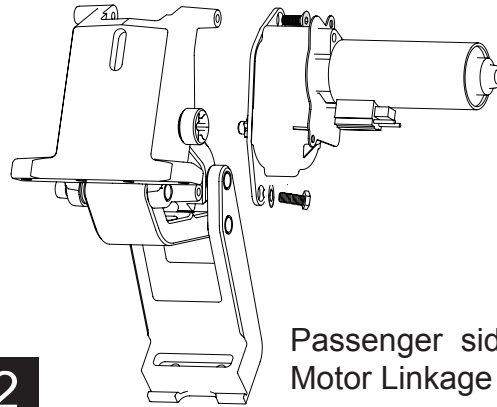
23 x4
15-03818-90
Light Bracket

Slide motor assembly onto drive shaft and mounting bosses of driving linkage assembly. Use flathead socket head cap screws (16) on the inner location. Next use hex bolt (23) and washer (22) on outer location and tighten to 8 ft-lbs / 11Nm.

Motor faces to front of vehicle

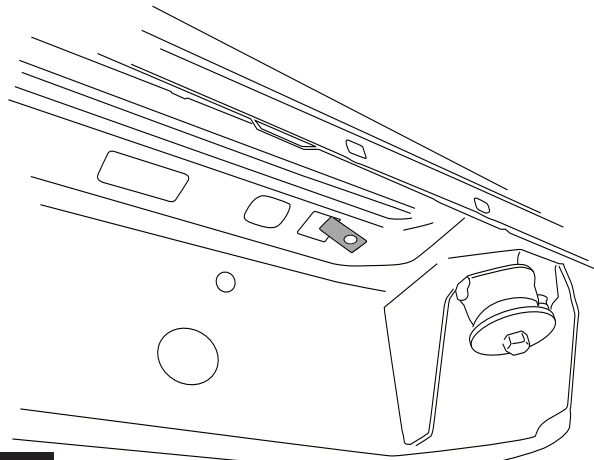


1 Driver side Motor Linkage



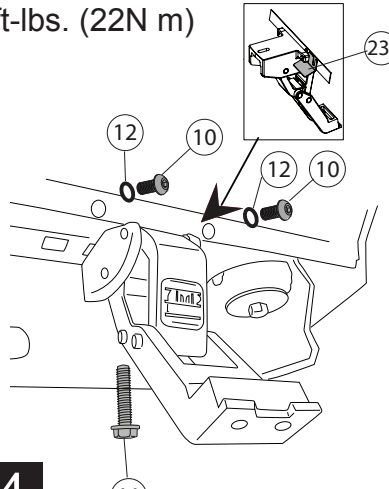
2 Passenger side Motor Linkage

3 Insert U nut into position for front Idler Linkage mounting position.



3 Front of vehicle passenger side →

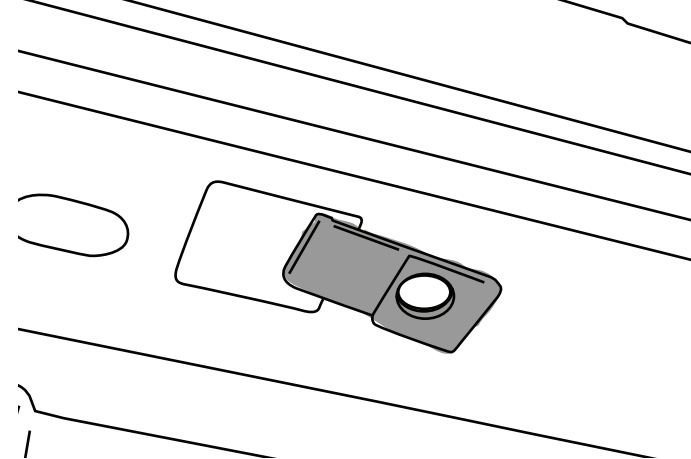
4 Install Front Idler Linkage assembly. Use button head bolts with washers and Hex flange bolt Torque to 16 ft-lbs. (22N m)



Note: Install light bracket between pinch weld and linkage mount as shown. Install brackets on forward holes of linkage.

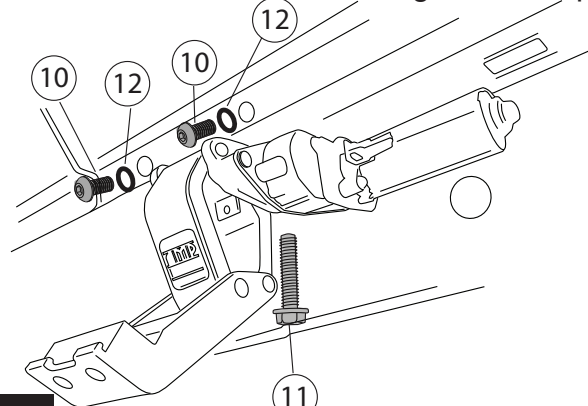
4 Repeat linkage installation on driver side

5 Insert U nut into position for rear Drive Linkage mounting position.



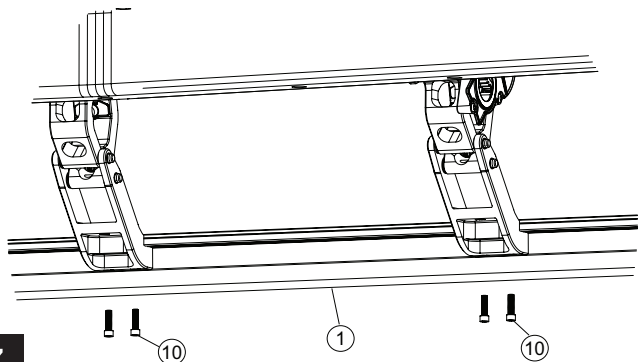
5 Front of vehicle passenger side →

6 Install Rear Drive Linkage assembly. Use button head bolts with washers and Hex flange bolt Torque to 16 ft-lbs. (22N m). Install light bracket on front side of linkage as in step 4.



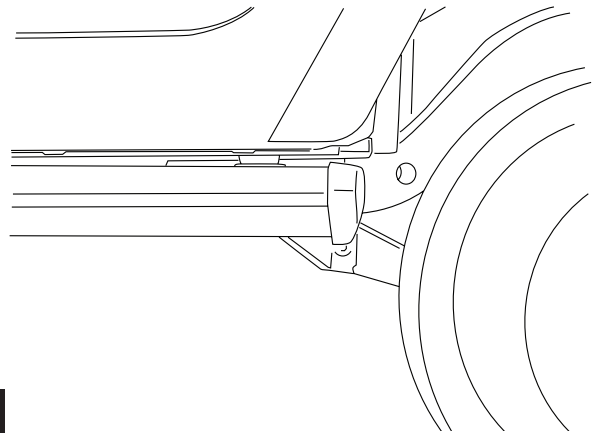
6 Front of vehicle passenger side →

Mount step extrusion to linkage assemblies. Line up t-nuts in step assembly with slots in lower mounts of linkage assemblies. Fasten loosely to allow for adjustments.



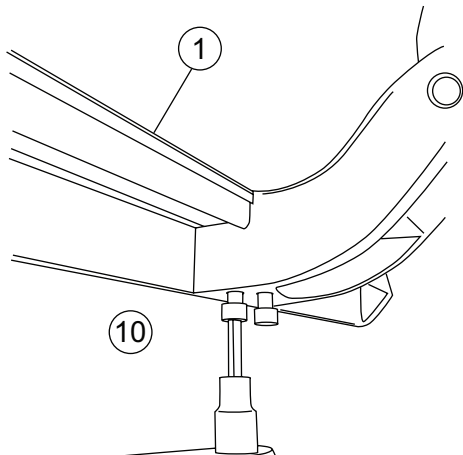
7

Line up rear of step extrusion with rear fender well.



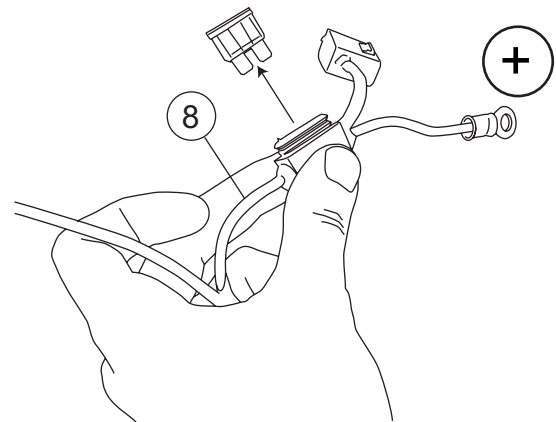
8

Tighten 4 socket cap screws with 3/16" allen wrenr Torque to 10 ft-lbs. (13.5 N-m)



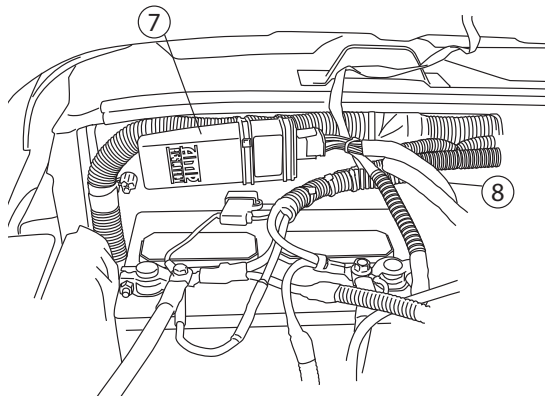
9

Remove fuse from Power Step wire harness.



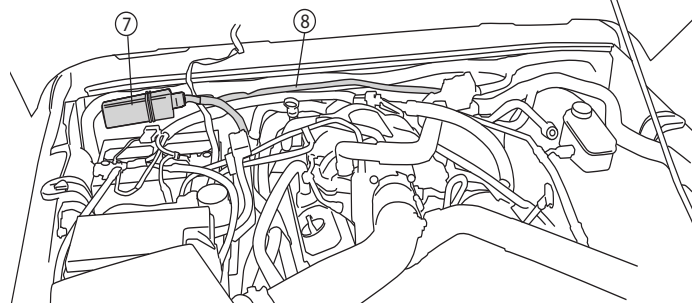
10

Install controller on passenger side at firewall. Secure with 11" cable ties. Connect Red wire to positive battery terminal and Black wire to negative battery terminal.



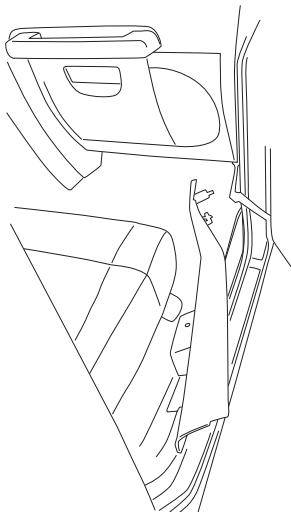
11

Route longest leg of wire harness across fire wall to driver side and under vehicle outside of frame rail. Route shortest leg of wire harness down fire wall and outside of frame rail on passenger side.

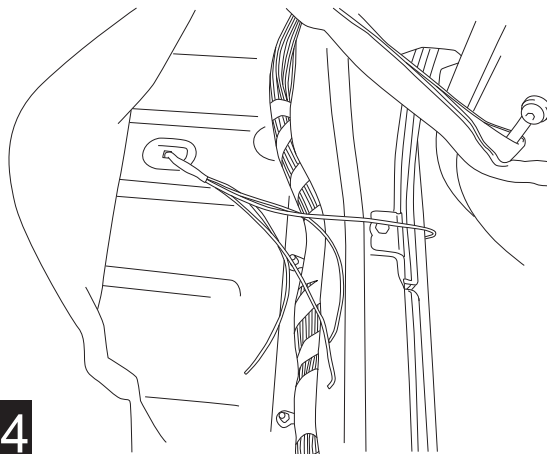


12

Remove passenger side front door sill.

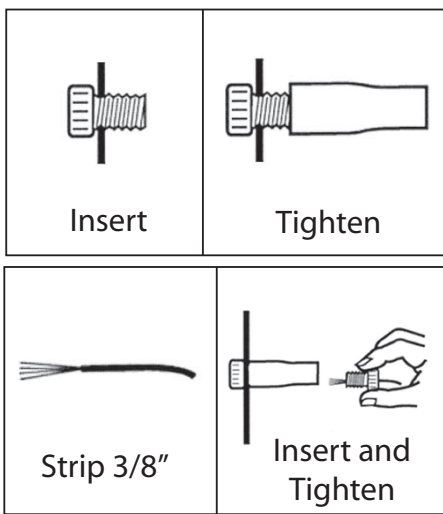


Lift carpet. Slit rubber grommet and pass trigger wires through grommet in floor into passenger compartment.

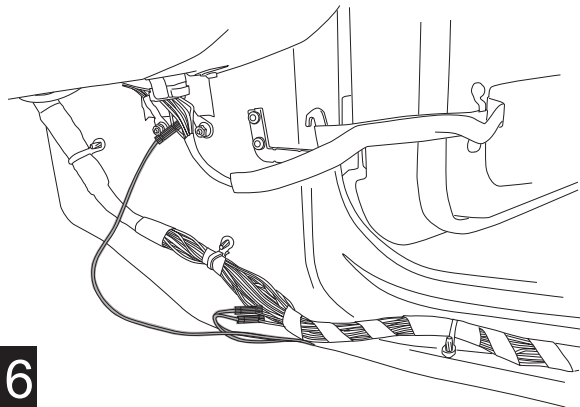


14

Posi-Tap™ instructions

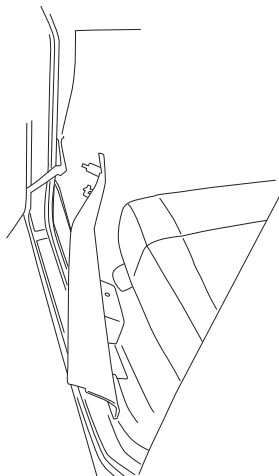


Use Posi-Tap connectors to connect Power Step trigger wires to like colored wires in the factory system as shown: Violet/White wire in loom coming from front door, Violet/Yellow and Violet/Grey are not used tape off ends. **Note: For door removal attach posi tap on chassis side of door harness.**

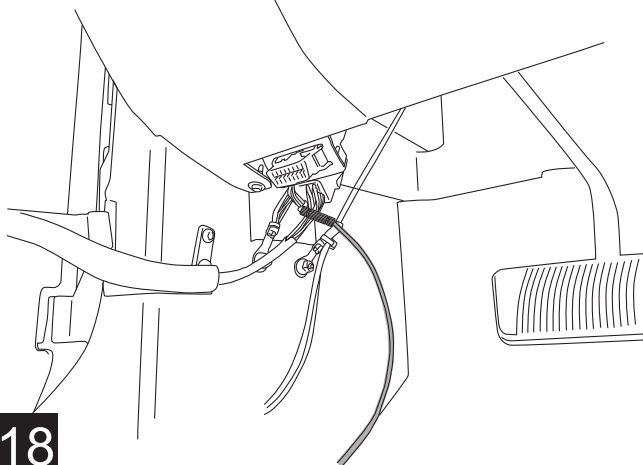


16

Remove driver side door sill and pull up carpet.



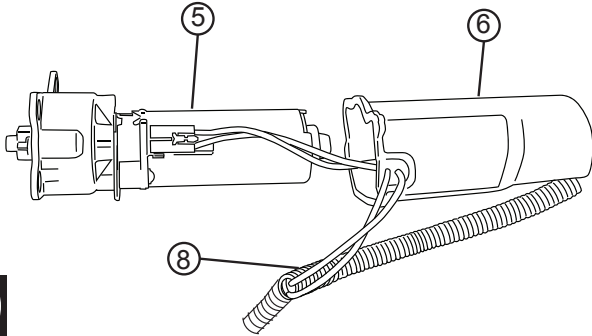
Route Violet wire under carpet to driver side door sill and connect to violet wire coming from door as shown. **Note: For door removal attach posi tap on chassis side of door harness.**



18

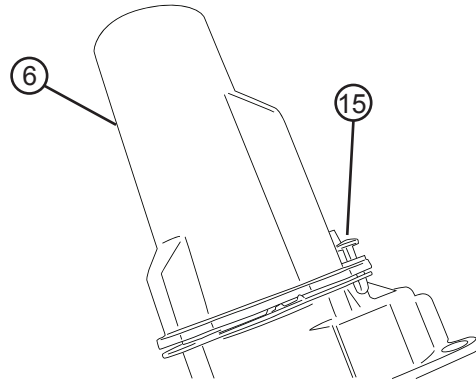
17

Insert plug from wire harness onto motor. Slide rubber grommet on wire harness into slot of motor cover. Insert motor cover onto motor. Slide motor assembly onto drive shaft and mounting bosses of driving linkage assembly. Use electrical tape to cover any exposed wire from the motor.



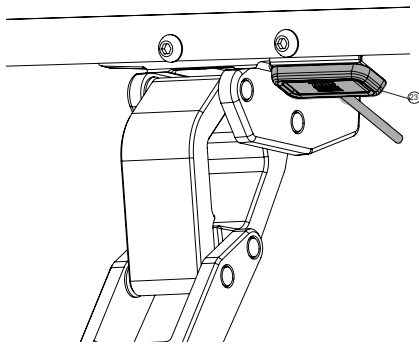
19

Insert plastic push pin rivets in mounting holes of motor cover. Use pliers to ease installation.



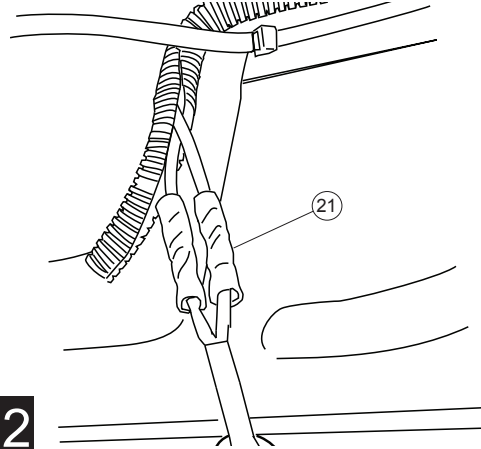
20

On each side of the vehicle install LED Lamps onto installed brackets provided.

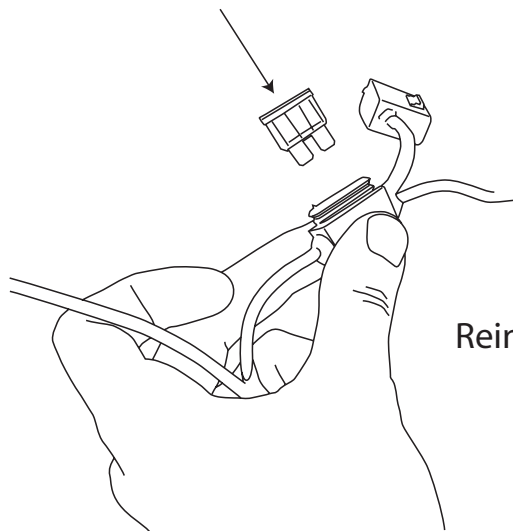


21

Using supplied butt connectors, connect the lamp wires. Red to Red, Black to Black. Once Crimped use heat gun to shrink tube.



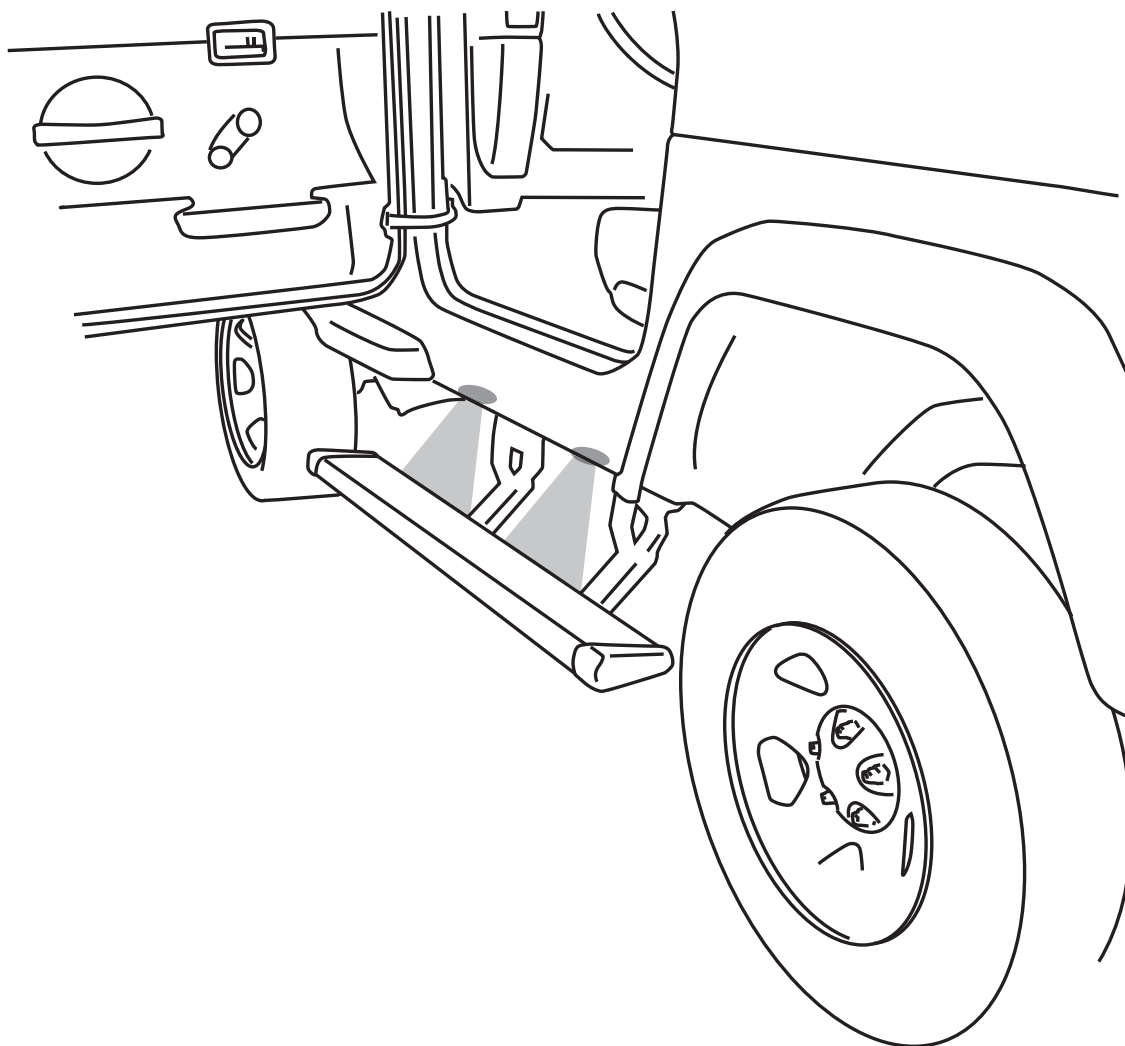
22



Reinstall fuse.

23

Check that all doors activate the Power Step and the LED Lights work when doors open and close. Reinstall any remaining trim panels.



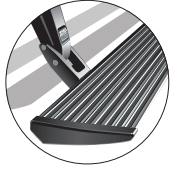
FINAL SYSTEM CHECK

Check that all doors activate the PowerStep and the LED lights work when doors open and close.

NORMAL OPERATION: When the doors open, PowerStep automatically deploys from under the vehicle. When the doors are closed, PowerStep will automatically return to the stowed/retracted position. **Note that there is a 2-second delay before the PowerStep returns to the stowed/retracted position.**

CORRECT OPERATION OF LIGHTS: All four lamps will illuminate upon opening any door of vehicle. Lamps will stay on until restowing of both Power Steps or until 5 minutes has expired with the doors open. When the lights timeout after 5 minutes, they can be reilluminated by closing and opening any door of vehicle.

POWER-DEPLOYABLE RUNNING BOARDS OPERATION: AMP Research PowerStep running boards automatically move when the doors are opened to assist entering and exiting the vehicle.



Automatic power deploy:

The running boards will extend down and out when the doors are opened.

Automatic power stow:

The running boards will return to the stowed position when the doors are closed. There will be a 2-second delay before the running boards move to the stowed position.

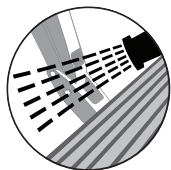
Automatic stop:

If an object is in the way of the moving running board, the running board will automatically stop. To reset, clear any obstruction, then simply open and close the door to resume normal operation.



Manually set in the deployed (OUT) position for access to the roof:

The running boards can be manually set in the deployed position by firmly holding the step down with your foot while at the same time closing the door. To resume normal operation, open and close the door.



Maintenance: In adverse conditions, debris such as mud, dirt, and salt may become trapped in the running board mechanism, possibly leading to unwanted noise. If this occurs, manually set the running boards to the deployed position and flush the front and rear hinge arms with a high-pressure car wash wand. Avoid spraying the motors directly. After washing, apply silicone spray lubricant to the hinge pivot pins. Do not apply silicone, wax or protectants like Armor All® to the running board stepping surface.

Caution! Keep hands away when the running board is in motion.

5-YEAR LIMITED WARRANTY

AMP RESEARCH warrants this product to be free from defects in material and workmanship for FIVE (5) YEARS FROM DATE OF PURCHASE, provided there has been normal use and proper maintenance. This warranty applies to the original purchaser only. All remedies under this warranty are limited to the repair replacement of the product itself, or the repair or replacement of any component part thereof, found by the factory to be defective within the time period specified. The decision to repair or replace is wholly within the discretion of the manufacturer.

This warranty specifically excludes labor. If you have a warranty claim, first you must call our factory at the number below for instructions. You must retain proof of purchase and submit a copy with any items returned for warranty work. Upon completion of warranty work, if any, we will return the repaired or replaced item or items to you freight prepaid. Damage to our products caused by accidents, fire, vandalism, negligence, misinstallation, misuse, Acts of God, or by defective parts not manufactured by us, is not covered under this warranty.

ANY IMPLIED WARRANTIES OF MERCHANTABILITY AND/OR FITNESS FOR A PARTICULAR PURPOSE CREATED HEREBY ARE LIMITED IN DURATION TO THE SAME DURATION AND SCOPE AS THE EXPRESS WRITTEN WARRANTY. OUR COMPANY SHALL NOT BE LIABLE FOR ANY INCIDENTAL OR CONSEQUENTIAL DAMAGE.

Some states do not allow limitations on how long an implied warranty lasts, or the exclusion or limitation of incidental or consequential damages, so the above limitations or exclusions may not apply to you. This warranty gives you specific legal rights, and you may also have other rights that vary from state to state.

FOR WARRANTY ISSUES WITH THIS PRODUCT PLEASE CALL AMP RESEARCH CUSTOMER SERVICE 1-888-983-2204

WARNING

Be sure to read and precisely follow the provided instructions when installing this product. Failure to do so could place the vehicle occupants in a potentially dangerous situation. After installing or reinstalling, re-check to insure that the product is properly installed.