

How to Install: Stage Series LED Lightbars



October 14, 2025 | [Print this Page](#)

How to Install: Stage Series LED Lightbars

Stage Series LED Lightbars deliver serious output and durability in a completely redesigned

We use cookies to improve our site and enhance your experience. [Click here to learn more.](#)



Hi, I'm your virtual assistant. I can help you find products or answer quick installation questions.

ACCEPT ALL COOKIES

CUSTOMIZE COOKIES



The following installation guide provides general instructions for mounting the new Stage Series LED Lightbars on your vehicle. Keep reading for details.

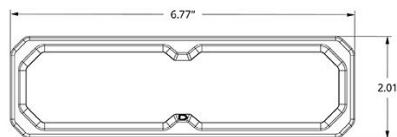
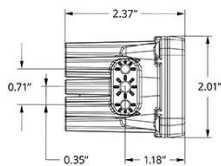
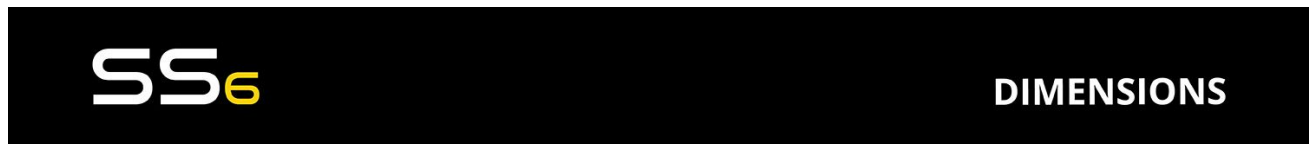
Table of Contents

- [Dimensions](#)
- [Mounting Instructions](#)
- [Wiring Instructions](#)
- [SmartSelect Programming](#)
- [Questions About the Installation?](#)
- [Where Can I Buy a Stage Series Lightbar?](#)

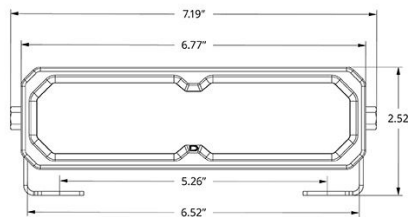
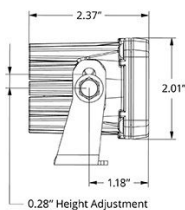
Dimensions

- [SS6](#)
- [SS10](#)
- [SS20](#)
- [SS39](#)
- [SS40](#)
- [SS50](#)

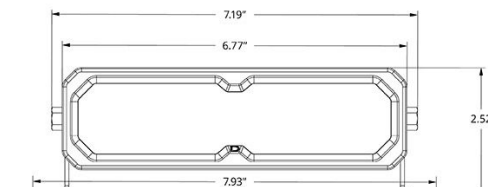
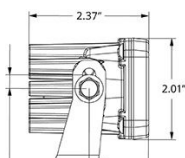
SS6



**NO
BRACKETS**



**INWARD MOUNTED
BRACKETS**

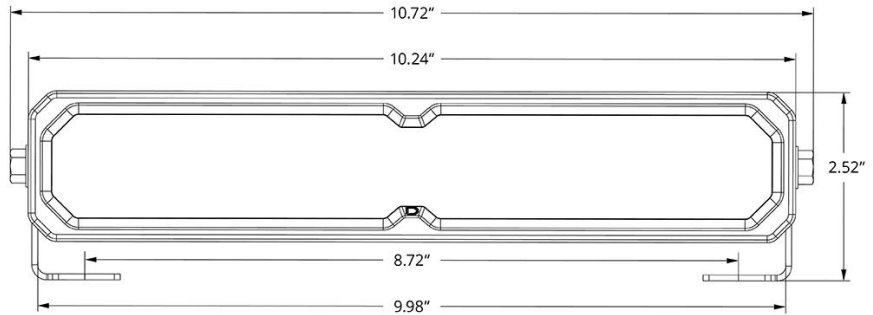
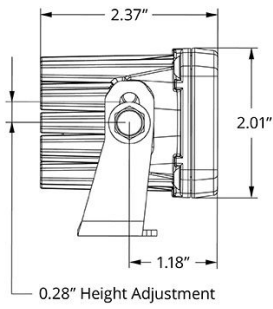
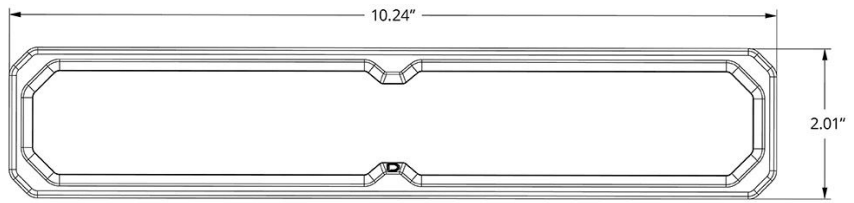
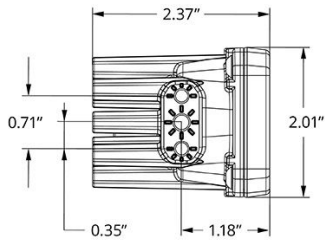


**OUTWARD MOUNTED
BRACKETS**



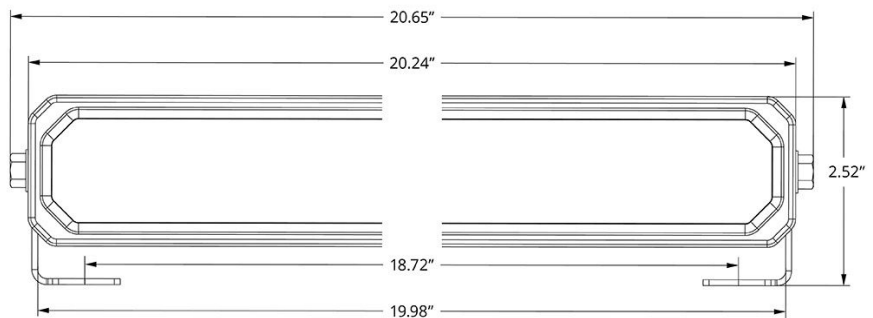
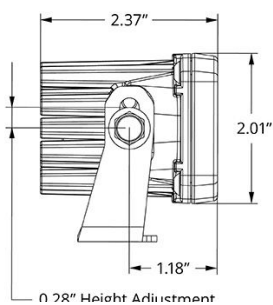
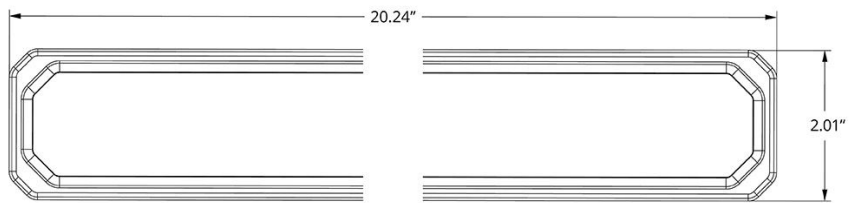
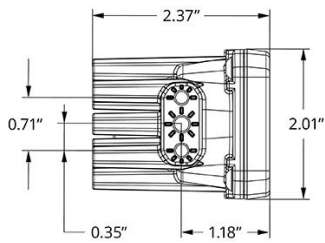
SS10

SS₁₀ DIMENSIONS



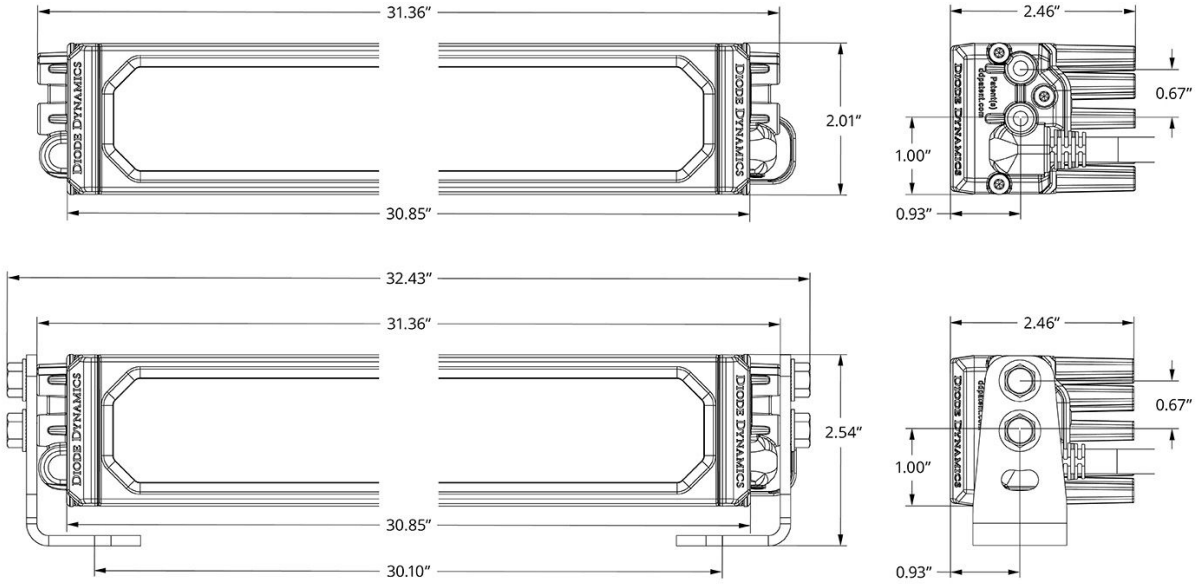
SS20

SS₂₀ DIMENSIONS



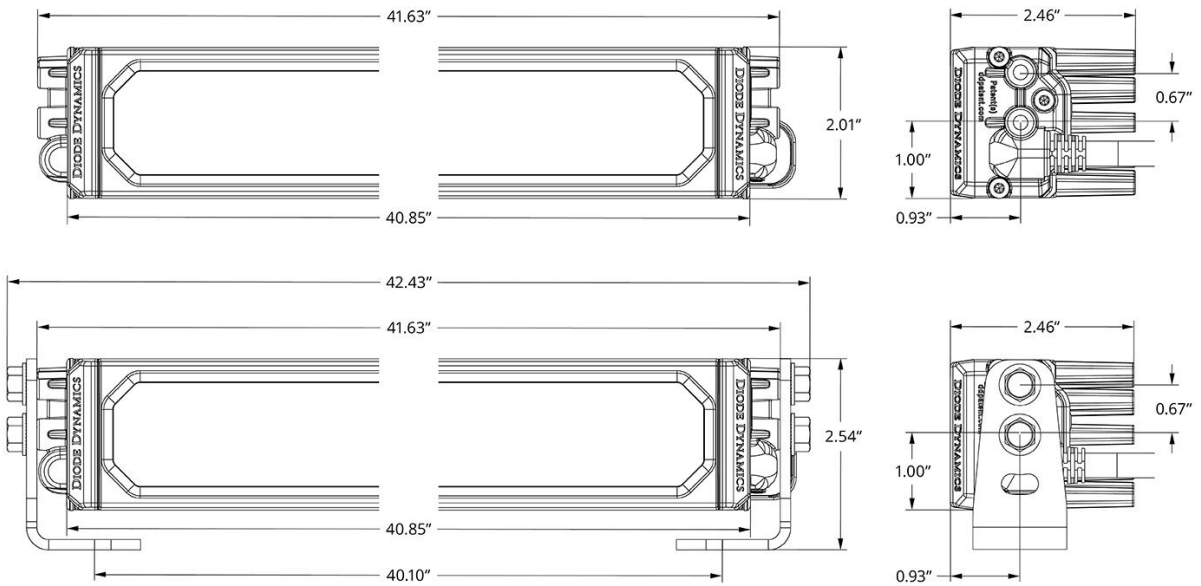
SS30

SS₃₀ DIMENSIONS



SS40

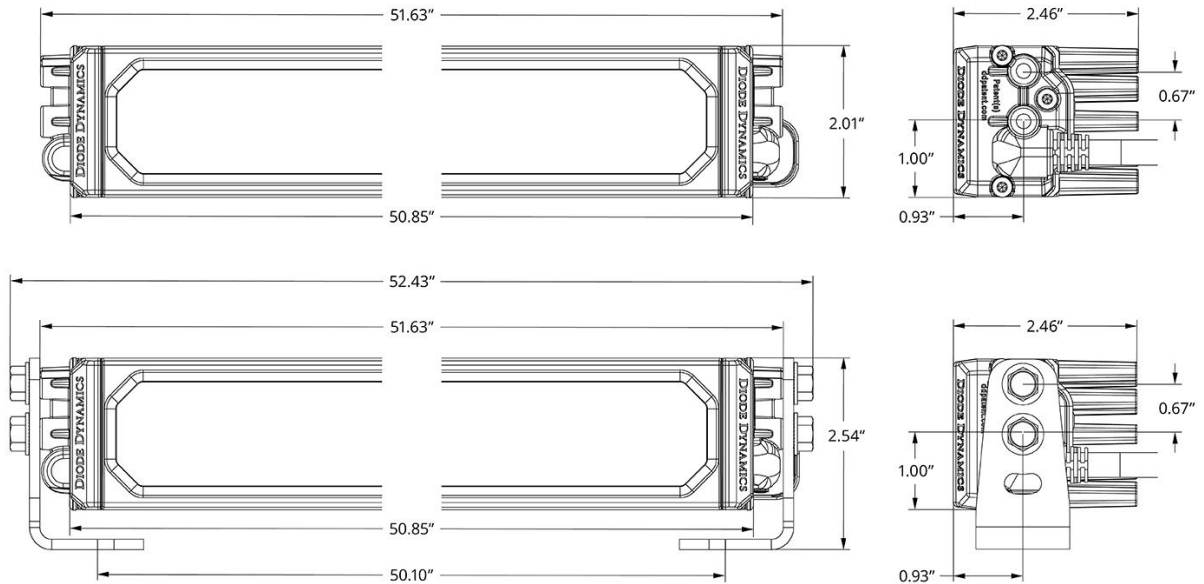
SS₄₀ DIMENSIONS



SS50

SS50

DIMENSIONS

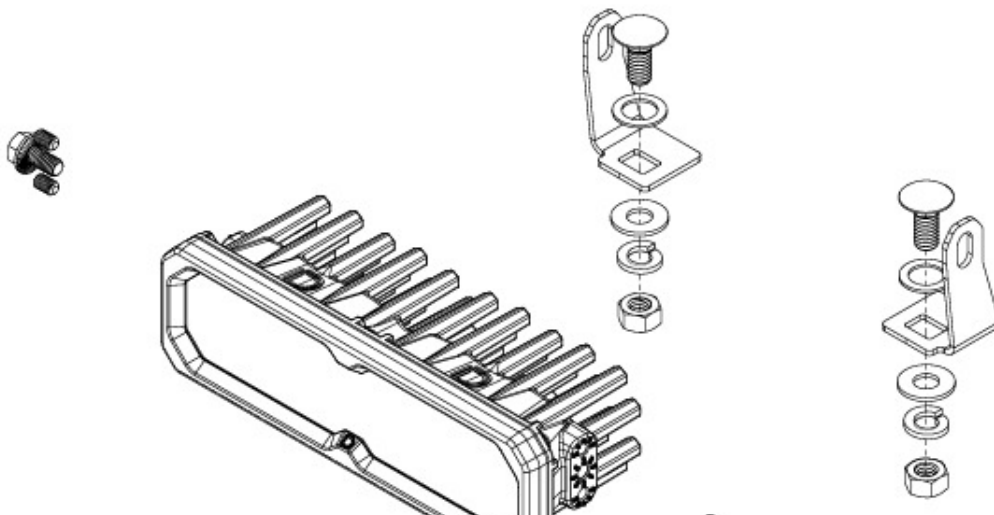


Mounting Instructions

Use the included hardware and brackets to mount your lightbar. U-Brackets are available for the SS6 and SS10, and can be found [here](#).

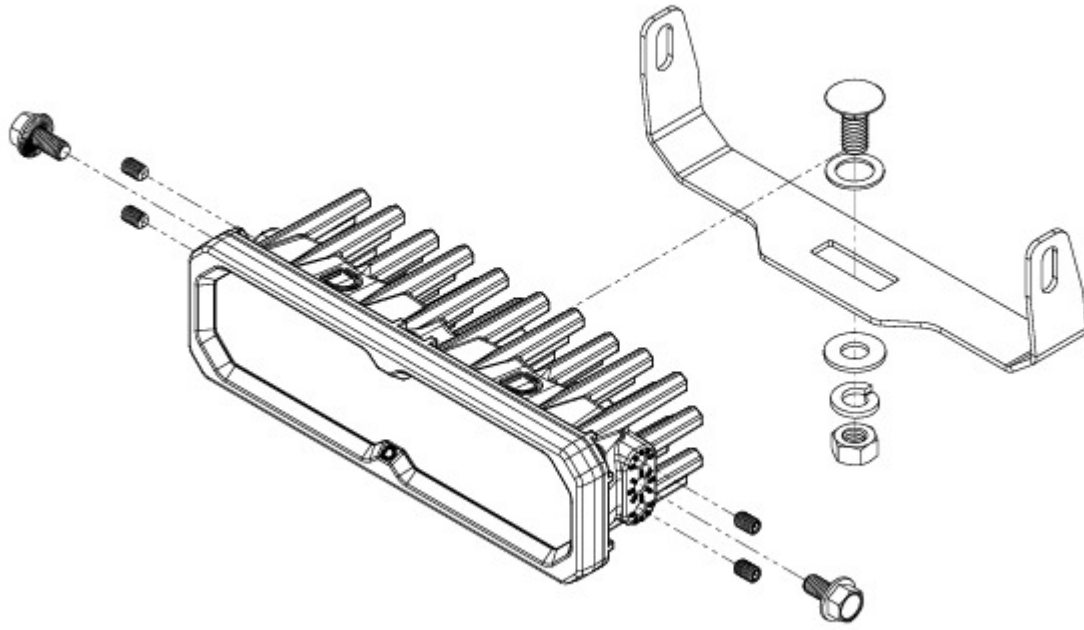
SS6

Standard:

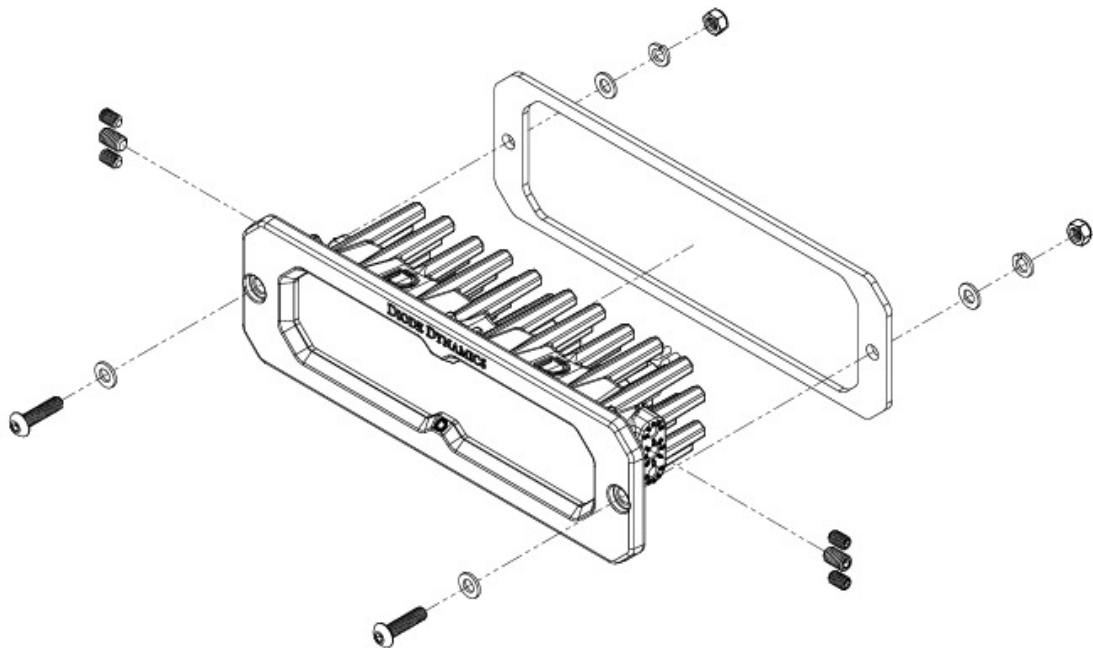




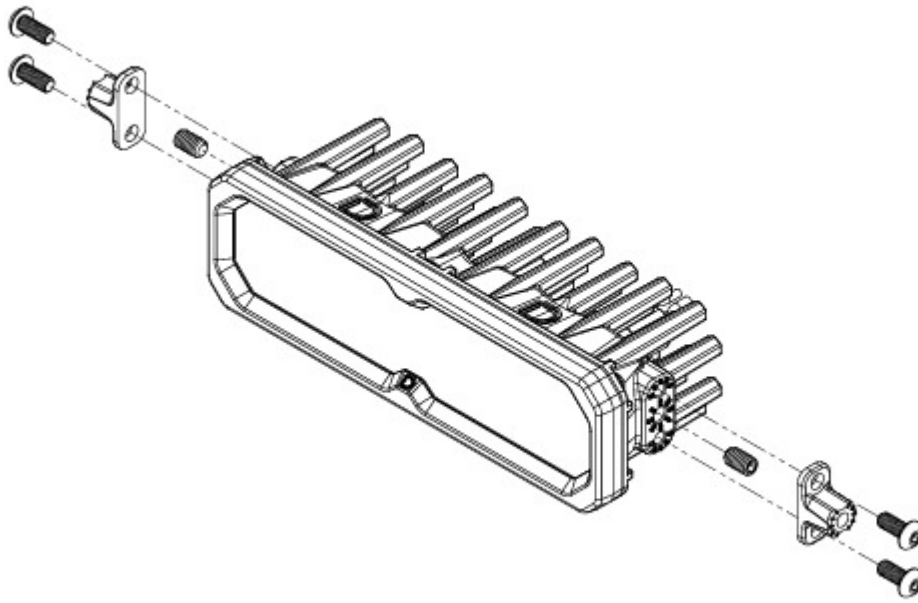
SS6 with U-Bracket:



SS6 Flush:

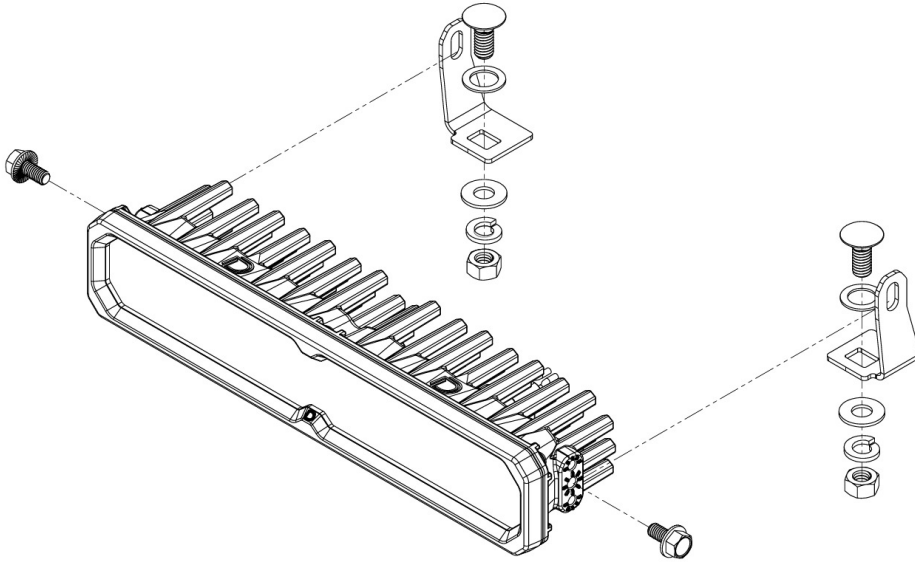


SS6 + Adapter Bracket:

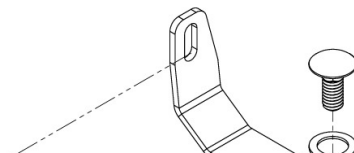


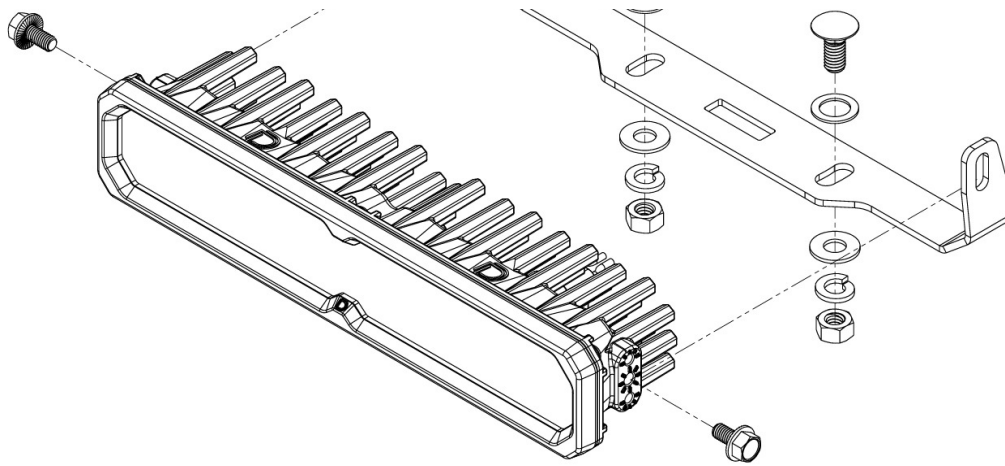
SS10

Standard:



SS10 with U-Bracket:





Wiring Instructions

SS6, SS10, and SS20 Stage Series LED Lightbars have an integrated Deutsch-style connector located on the back of the bar, just below the pin-fin heatsink, that securely fits the included Deutsch-style connectors.

The bigger Lightbars (SS30, SS40, & SS50) come with a DTP (Duetch Terminal Power) that are designed for high current applications with a wire lead coming directly out the side of the bar.

Connect the red wire to the positive supply, and the black wire to the negative or common ground. Tap the blue wire for the backlight to your desired vehicle function.

Note: This auxiliary lamp draws high current and requires adequately-sized wiring for safe operation. If you are not using a Diode Dynamics wire harness, use a wire sized 16 AWG or larger for main power and ground. Use a wire sized 18 AWG or larger for the backlight (blue wire on the pigtail). Please be mindful of current ratings and wire size, especially if splitting power signals to multiple lights or using switches. If you have any questions, please feel free to [contact us](#) for assistance.

SmartSelect Programming

Stage Series Lightbars equipped with SmartSelect feature built-in programming for both the main beam and the backlight. Programming is performed using simple power cycles and works with any control method, including toggle switches, relay harnesses, or switch panels.

A built-in timing delay is included to prevent accidental programming from strobe functions or rapid switching. Each power cycle must be deliberate, with approximately one second between each ON press.

Main Beam Programming (SS30 and Larger SmartSelect Lightbars Only)

SmartSelect allows control over how the main beam operates. Depending on configuration, the lightbar can be set to run inner sections only, outer sections only, or the full bar.

1. Start with the main beam powered OFF.
2. Turn the main beam ON and OFF four times, spacing each ON press about one second apart.
3. On the fourth power cycle, the lightbar will enter programming mode.
4. Continue cycling power at the same steady pace to scroll through the available modes.
5. When the desired mode is displayed, leave the main beam ON.
6. After several seconds, the selection will save automatically and exit programming mode.

The selected mode will be retained during normal operation.

Backlight Color Programming

SmartSelect backlights offer multiple color options, including White (default), Red, Blue, Green, Purple, Yellow, Amber, and Teal.

1. Start with all backlight power OFF.
2. Cycle backlight power ON and OFF three times within three seconds, spacing each ON press about one second apart.
3. After the third cycle, the backlight will enter programming mode.
4. Continue cycling power at the same steady pace to scroll through the available colors.
5. When the desired color is displayed, leave the backlight ON.
6. After five seconds, the color will save automatically and exit programming mode.

7. Turn power OFF.

The selected color will appear any time backlight power is applied during normal operation.

Backlight Color Reset

If multiple SmartSelect products are connected to the same backlight circuit and colors become unsynchronized, perform the following reset procedure.

1. Enter backlight programming mode by cycling power ON and OFF three times, using the same one-second timing.
2. Continue cycling power through all available colors twice. This requires at least sixteen total power cycles.
3. After all colors have displayed twice, all connected lights will reset to White.
4. Leave the backlight ON for five seconds to save the reset.
5. Program the desired backlight color as outlined above if needed.

Questions About the Installation?

If you have any questions or issues installing the Stage Series Lightbars, please [contact us](#) for further information.

Where Can I Buy a Stage Series LED Lightbar?

If you're ready to upgrade your vehicle with Stage Series Lightbars, you can purchase them by clicking [here](#), or by using our [dealer locator](#) to find a dealer near you.

Want to know more about Diode Dynamics products? Visit [DiodeDynamics.com](https://www.diodedynamics.com) and subscribe to our [newsletter](#) for new product releases and more!

This Installation Guide is for the following SKUs: DD8180, DD8181, DD8182, DD8183, DD8184, DD8185, DD8186, DD8187, DD8188, DD8189, DD8190, DD8191, DD8192, DD8193, DD8194, DD8195, DD8196, DD8197, DD8198, DD8199, DD8200, DD8201, DD8202, DD8203, DD8204, DD8205, DD8206, DD8207, DD8208, DD8209, DD8210, DD8211, DD8212, DD8213, DD8214, DD8215, DD8216, DD8217, DD8218, DD8219, DD8220, DD8221, DD8222, DD8223, DD8224, DD8225, DD8226, DD8227, DD8228, DD8229, DD8230, DD8231, DD8232, DD8233, DD8234, DD8235, DD8236, DD8237, DD8238, DD8239, DD8252, DD8253, DD8254, DD8255, DD8256, DD8257, DD8258, DD8259, DD8260, DD8261, DD8262, DD8263, DD8264, DD8265,

DD8266, DD8267, DD8268, DD8269, DD8270, DD8271, DD8272, DD8273, DD8274, DD8275, DD8375, DD8377, DD8378, DD8379, DD8380, DD8381, DD8382, DD8383, DD8385, DD8386, DD8387, DD8388, DD8389, DD8390, DD8391, DD8392, DD8393, DD8394, DD8395, DD8396, DD8397, DD8399, DD8400, DD8401, DD8402, DD8403, DD8404, DD8405, DD8406, DD8407, DD8408, DD8409, DD8410, DD8411, DD8413, DD8414, DD8415, DD8416, DD8417, DD8418, DD8419, DD8420, DD8421, DD8422, DD8423, DD8424, DD8425, DD8427, DD8428, DD8429, DD8430, DD8431, DD8432, DD8433, DD7781, DD7782, DD7783, DD7784, DD7785, DD7786, DD7787, DD7788, DD8644, DD8645, DD8646, DD8647, DD8648, DD8649, DD8650, DD8651, DD8652, DD8653, DD8654, DD8655, DD8657, DD8659S, DD8781, DD8801, DD8815

Posted in: [Installation Guides](#)

Share This Post



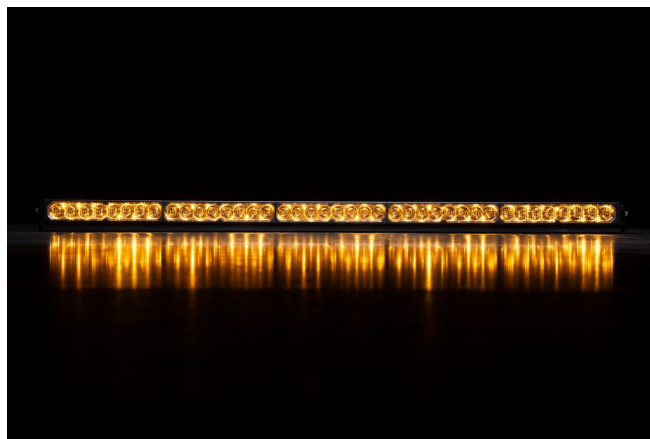
Previous article:

[How to Install: Stand-Off D-Switch Hub Mounting Kit](#)

Next article:

[Power and Control: New Stage Series Lightbars](#)

Related posts



Power and Control: New Stage Series Lightbars

Related Products



Stage Series LED Light Bar Cover

\$9.95

ADD TO CART

Replacement Lens for Stage Series LED Light Bars (one)

\$19.95 - \$29.95

ADD TO CART

Ultra Heavy Duty Single Output 4-pin Wiring Harness

\$89.95

ADD TO CART

Subscribe to newsletter



Categories



Search the blog



Search Here



Recent posts



CONTACT US



CUSTOMER SERVICE



INFORMATION



NEWSLETTER

Be the first to get the latest news about trends, promotions and much more!
By subscribing, you accept the [Privacy Policy](#).



© 2026 Diode Dynamics LLC. All Rights Reserved. 3870 Millstone Pkwy, St Charles, MO 63301 - [Terms of Service](#) & [Privacy](#) - [Sitemap](#)

All logos and vehicle images displayed here are the property of their respective owners.