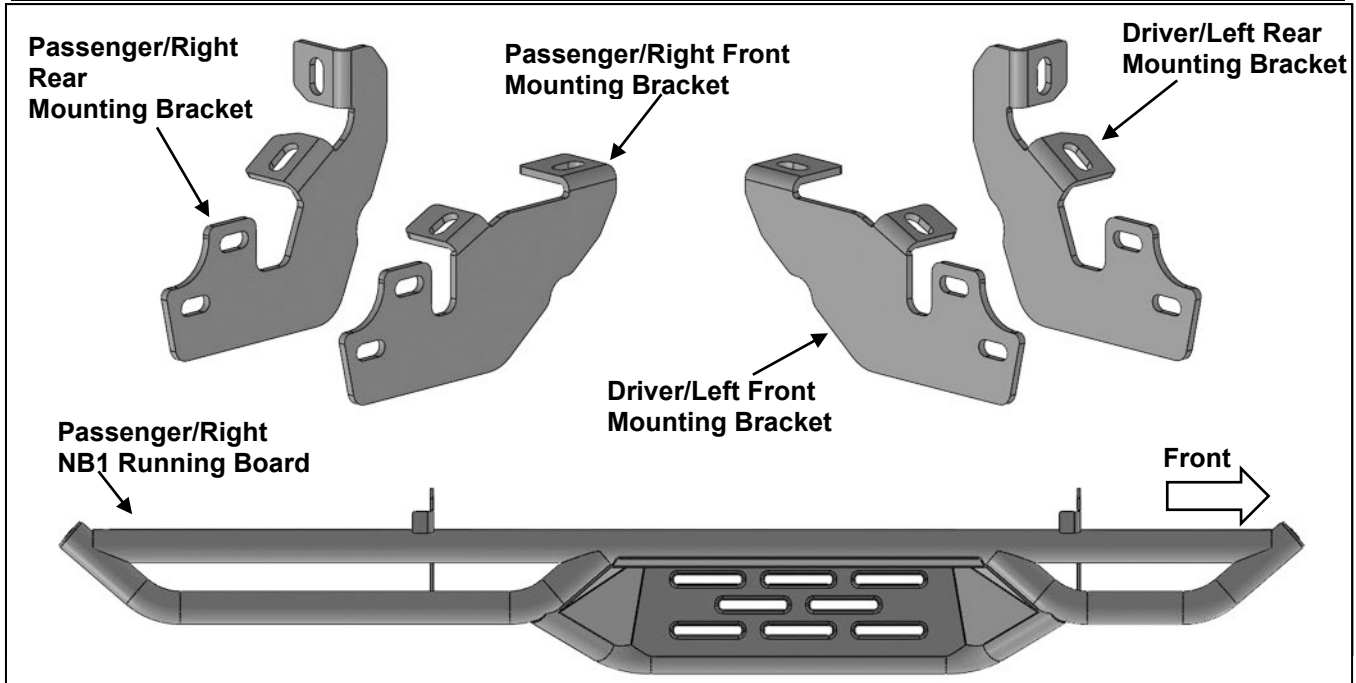


PARTS LIST:

| | | | |
|---|--|----|-----------------------------------|
| 1 | Driver/Left NB1 Running Board | 8 | 10mm x 35mm Hex Bolts |
| 1 | Passenger/Right NB1 Running Board | 8 | 10mm x 30mm Hex Bolts |
| 1 | Driver/Left Front Mounting Bracket | 8 | 10mm Lock Washers |
| 1 | Passenger/Right Front Mounting Bracket | 24 | 10mm x 27mm OD x 3mm Flat Washers |
| 1 | Driver/Left Rear Mounting Bracket | 8 | 10mm Nylon Lock Nuts |
| 1 | Passenger/Right Rear Mounting Bracket | | |



PROCEDURE:

- 1. REMOVE CONTENTS FROM BOX. VERIFY ALL PARTS ARE PRESENT. READ INSTRUCTIONS CAREFULLY BEFORE STARTING INSTALLATION.**
- Starting from underneath the Passenger/Right body panel, locate the front mounting location and the threaded holes in the body panel, **(Figure 1)**. Remove the plastic plugs covering the holes.
- Select the Passenger/Right Front Mounting Bracket. Attach the Mounting Bracket to the front location with (2) 10mm x 30mm Hex Bolts, (2) 10mm Lock Washers and (2) 10mm Flat Washers, **(Figure 2)**. Do not tighten hardware.
- Repeat **Steps 2 & 4** to attach (1) Rear Mounting Bracket to the rear location, **(Figures 3 & 4)**. Do not tighten hardware.
- Select the Passenger/Right NB1 Running Board. Line up the mounting tabs on the Running Board to the rear faces of the Mounting Brackets. Attach the Running Board to the Mounting Brackets with (4) 10mm x 35mm Hex Bolts, (8) 10mm Flat Washers and (4) 10mm Nylon Lock Nuts, **(Figure 5)**. Do not tighten hardware.
- Level and adjust the Running Board and tighten all hardware.
- Repeat **Steps 1—7** to attach the Driver/Left NB1 Running Board.
- Do periodic inspections to the installation to make sure that all hardware is secure and tight.

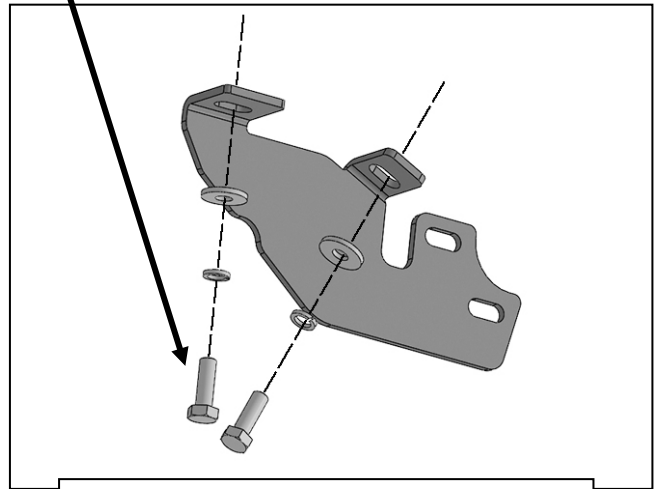
To protect your investment, Do not use any type of polish or wax that may contain abrasives that could damage the finish. Mild soap may be used to clean the NB1 Running Boards.

Passenger/Right side Installation Pictured

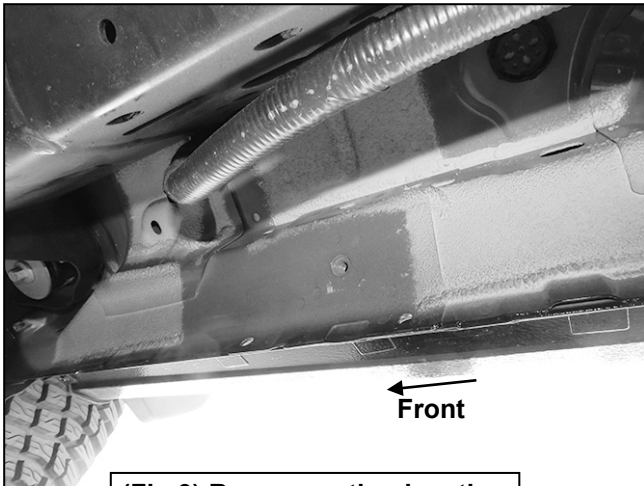


(Fig 1) Passenger/Right front mounting location

- (2) 10mm Hex Bolts
- (2) 10mm Lock Washers
- (2) 10mm Flat Washers

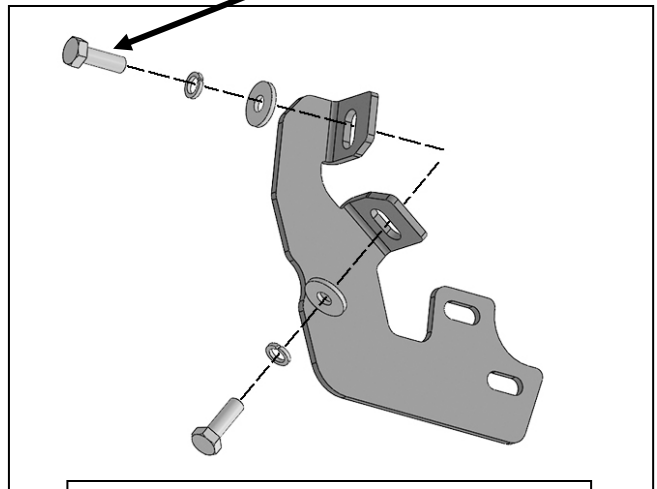


(Fig 2) Attach the Passenger/Right Front Mounting Bracket to the front location

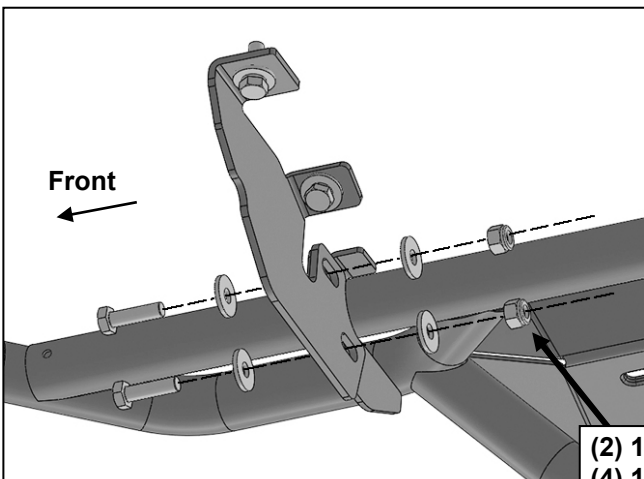


(Fig 3) Rear mounting location
(Driver/Left side shown)

- (2) 10mm Hex Bolts
- (2) 10mm Lock Washers
- (2) 10mm Flat Washers



(Fig 4) Attach (1) Passenger/Right Rear Mounting Bracket to the center location



(Fig 5) Attach the Passenger/Right Running Board to the Mounting Brackets

- (2) 10mm x 35mm Hex Bolts
- (4) 10mm Flat Washers
- (2) 10mm Nylon Lock Nuts