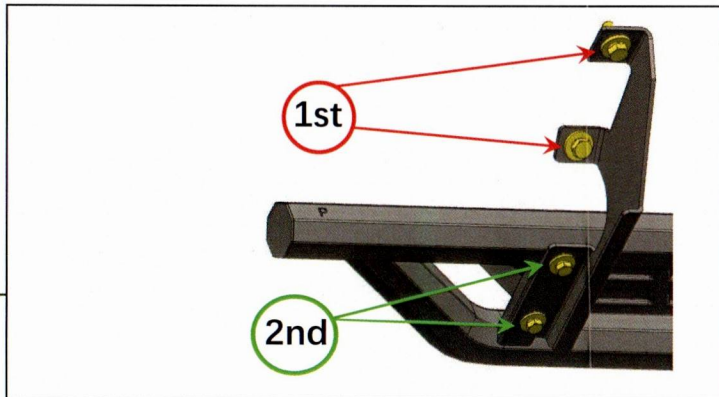
**STEP 5**

With all brackets loosely mounted to the vehicle, fit the running board onto the front bracket, and loosely secure into place using (2) M8 x 25mm combo bolts. Repeat the step for other PS step brackets.

**STEP 6**

Tighten the mounting brackets to the vehicle. Adjust the running board to the desired angle, and tighten the bolts to secure the step into place. See photo for tightening order visual.

Repeat steps 1-6 for the remaining running board.

Installation is now complete.

TC5 RUNNING BOARDS

(2021-2025+ FORD BRONCO 2 DOOR)

INSTALLATION INSTRUCTIONS

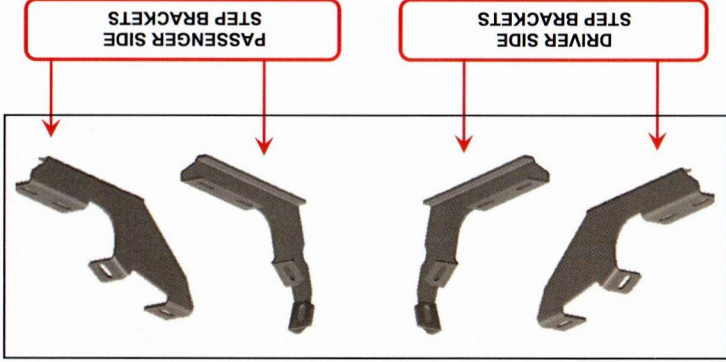
CONTENTS

- (1) LH Running Board
- (1) RH Running Board
- (2) LH Step Brackets
- (2) RH Step Brackets
- (8) M10 x 30mm Hex Bolts
- (8) M10 x 27mm OD x 3mm Flat Washers
- (8) M10 Lock Washers
- (8) M8 Lock Nuts

TOOLS REQUIRED

- 13mm/16mm
- Sockets/Wrenches
- Ratchet

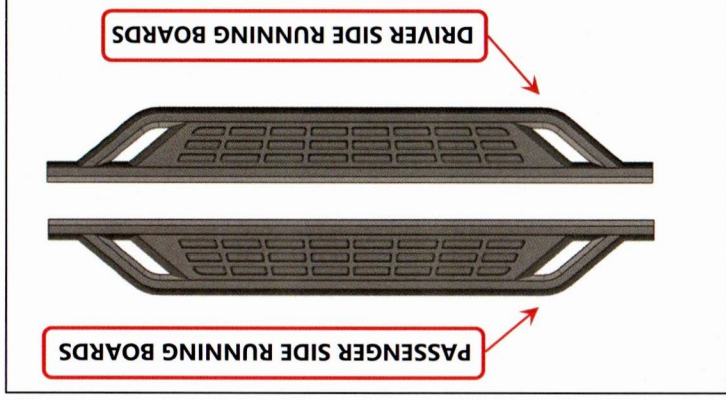
STEP 1



Please identify each mounting bracket using the engraved location identifier. **Notice: Mounting Brackets look very similar but are unique.**

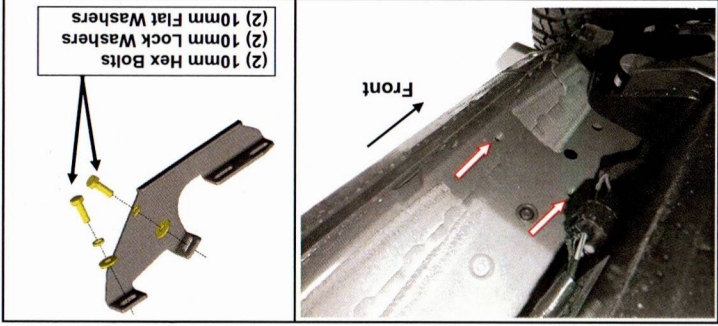
DF: Driver Front
DR: Driver Rear
PF: Passenger Front
PR: Passenger Rear

STEP 2



Identify each running board by identifier on the front. **Notice: "D" for Driver/Left Side; "P" for Passenger/Right Side.**

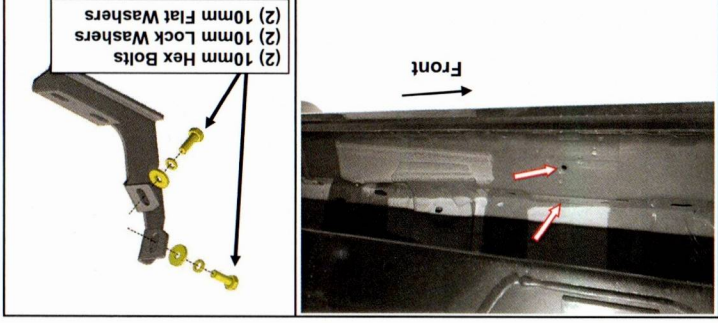
STEP 3



Start installation toward the front of the Passenger/Right side of the vehicle.

Loosely fit the (1) Passenger Front step bracket to the vehicle threaded body hole using (2) M10 x 30mm bolts, (2) M10 lock washers, and (2) M10 flat washers. Do not fully tighten to allow for later adjustments.

STEP 4



Loosely fit the (1) Passenger Rear step bracket to the vehicle threaded body hole using (2) M10 x 30mm bolts, (2) M10 lock washers, and (2) M10 flat washers. Do not fully tighten to allow for later adjustments.