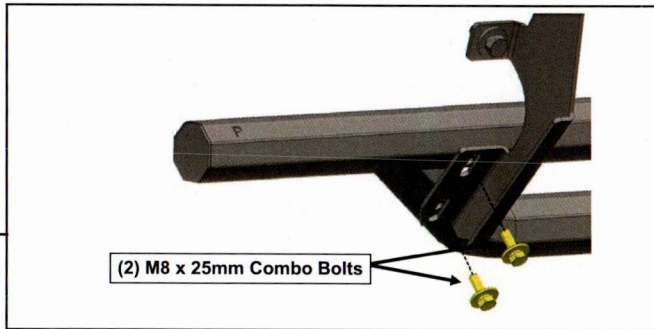
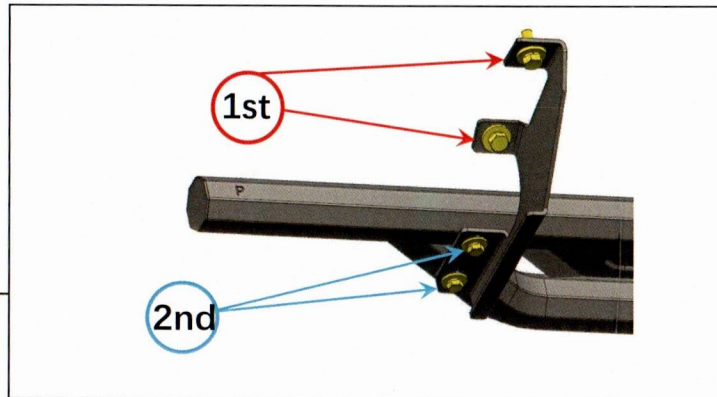


STEP 5

With all brackets loosely mounted to the vehicle, fit the running board onto the front bracket, and loosely secure into place using (2) M8 x 25mm combo bolts. Repeat the step for other (2) PS step brackets.

STEP 6

Tighten the mounting brackets to the vehicle. Adjust the running board to the desired angle, and tighten the bolts to secure the step into place. See photo for tightening order visual.

Repeat steps 1-6 for the remaining running board.

Installation is now complete.

TC5 RUNNING BOARDS

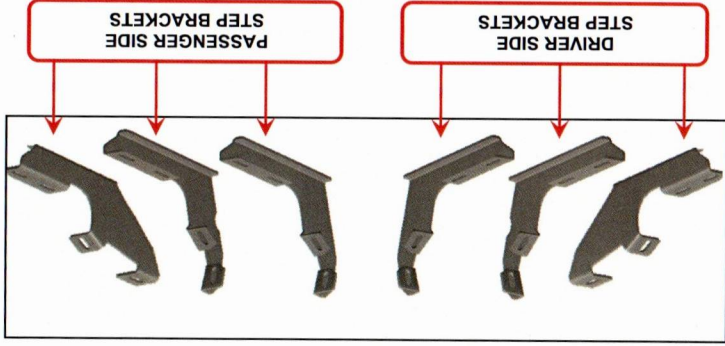
(2021-2025+ FORD BRONCO 4 DOOR)

INSTALLATION INSTRUCTIONS**CONTENTS**

- (1) LH Running Board
- (1) RH Running Board
- (3) LH Step Brackets
- (3) RH Step Brackets
- (12) M10 x 30mm Hex Bolts
- (12) M10 x 27mm OD x 3mm Flat Washers
- (12) M10 Lock Washers
- (12) M8 x 25mm Combo Bolts

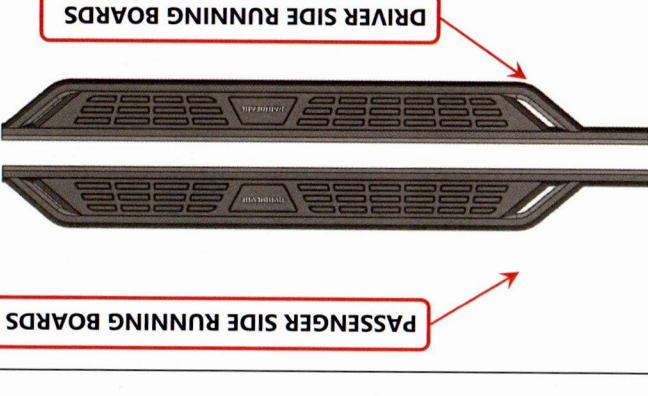
TOOLS REQUIRED

- 13mm/16mm
- Sockets/Wrenches
- Ratchet

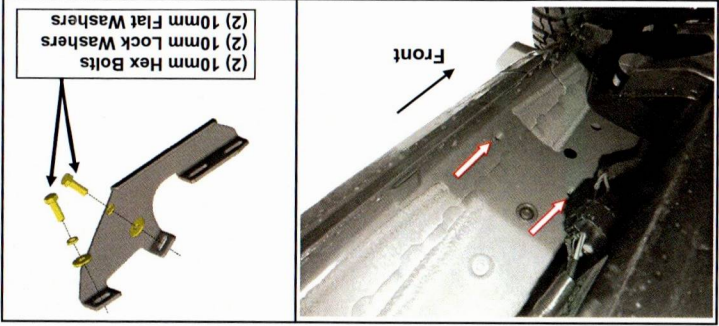
STEP 1

Please identify each mounting bracket using the engraved location identifier. **Notice: Mounting Brackets look very similar but are unique.**

DF: Driver Front
 DC: Driver Center
 DR: Driver Rear
 PF: Passenger Front
 PC: Passenger Center
 PR: Passenger Rear

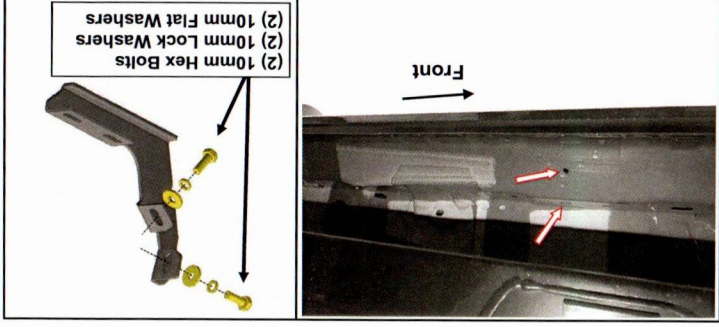


Identify each running board by identifier on the front. **Notice: "D" for Driver/Left Side; "P" for Passenger/Right Side.**

STEP 2**STEP 3**

Start installation toward the front of the Passenger/Right side of the vehicle.

Loosely fit the (1) Passenger Front step bracket to the vehicle threaded body hole using (2) M10 x 30mm bolts, (2) M10 lock washers, and (2) M10 flat washers. Do not fully tighten to allow for later adjustments.

STEP 4

Loosely fit the (1) Passenger Center step bracket to the vehicle threaded body hole using (2) M10 x 30mm bolts, (2) M10 lock washers, and (2) M10 flat washers. Do not fully tighten to allow for later adjustments. Repeat this step for the Passenger Rear step brackets.