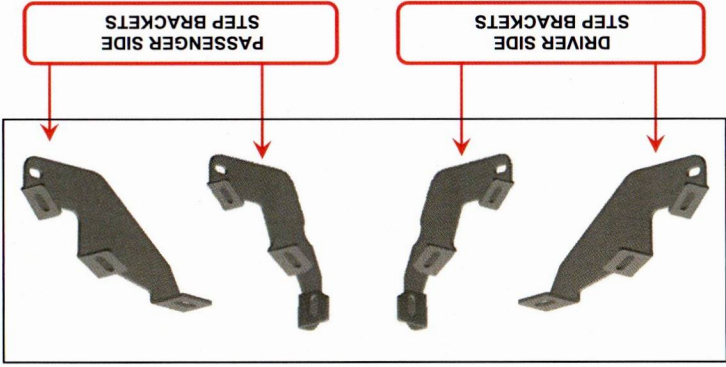
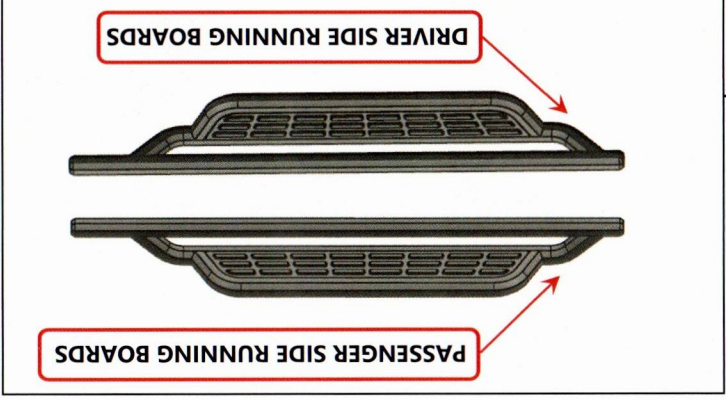


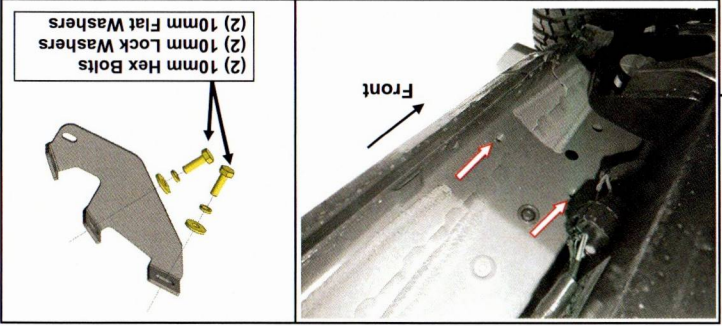
STEP 1

Mounting Brackets look very similar but are unique. Please identify each mounting bracket using the engraved location identifier.

DF: Driver Front
 DR: Driver Rear
 PF: Passenger Front
 PR: Passenger Rear

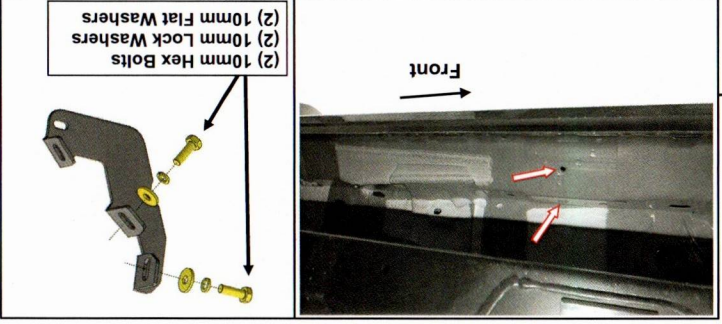
STEP 2

Identify each running board by identifier on the front. **Notice: "D" for Driver/Left Side; "P" for Passenger/Right Side.**

STEP 3

Start installation toward the front of the Passenger/Right side of the vehicle.

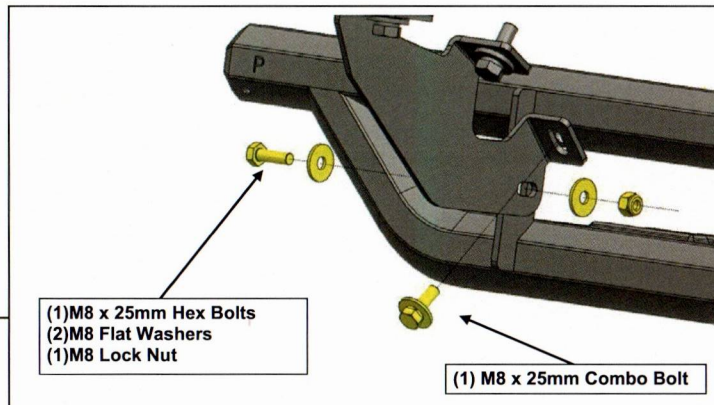
Loosely fit the (1) Passenger Front step bracket to the vehicle threaded body hole using (2) M10 x 30mm bolt, (2) M10 lock washer, and (2) M10 flat washer. Do not fully tighten to allow for later adjustments.

STEP 4

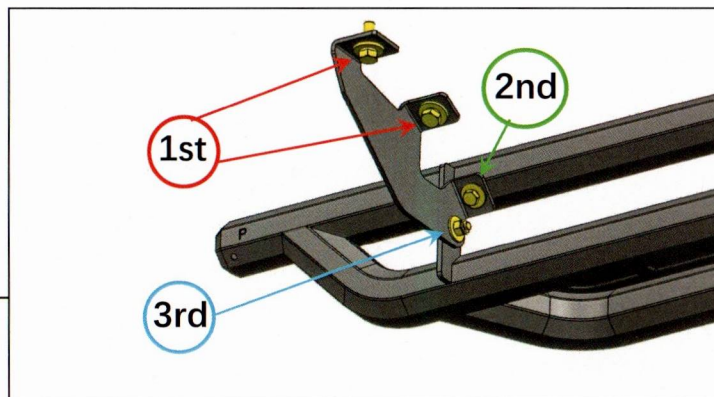
Loosely fit the (1) Passenger Rear step bracket to the vehicle threaded body hole using (2) M10 x 30mm bolt, (2) M10 lock washer, and (2) M10 flat washer. Do not fully tighten to allow for later adjustments.

TC4 HD RUNNING BOARDS

(2021-2025+ FORD BRONCO 2 DOOR)

STEP 5

With all brackets loosely mounted to the vehicle, fit the running board onto the front bracket, and loosely secure into place using (1) M8 x 25mm combo bolt, (1) M8 x 25mm hex bolt, (2) M8 flat washer, (1) M8 lock nut. Repeat the step for other PS step brackets.

STEP 6

Tighten the mounting brackets to the vehicle. Adjust the running board to the desired angle, and tighten the bolts to secure the step into place. See photo for tightening order visual.

Repeat steps 1-6 for the remaining running board.

Installation is now complete.

INSTALLATION INSTRUCTIONS**CONTENTS**

- (1) LH Running Board
- (1) RH Running Board
- (2) LH Step Brackets
- (2) RH Step Brackets
- (8) M10 x 30mm Hex Bolts
- (8) M10 x 27mm OD x 3mm Flat Washers
- (8) M10 Lock Washers
- (8) M8 x 24mm OD x 2mm Flat Washers
- (4) M8 x 25mm Combo Bolts
- (4) M8 x 25mm Hex Bolts
- (4) M8 Lock Nuts

TOOLS REQUIRED

- 13mm/16mm
- Sockets/Wrenches
- Ratchet