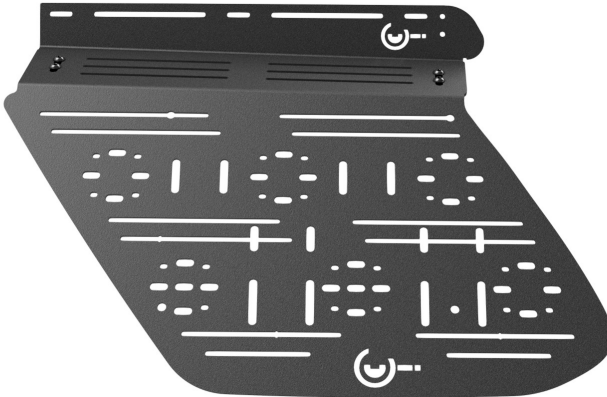


**PRINSU**



# WINDOW ACCESSORY PANEL



## **Applications**

installation instructions

These installation instructions apply to the following Prinsu products

Prinsu PRO Rack | Original Prinsu Rack

## **IMPORTANT!**

**THANK YOU** for purchasing this Prinsu product. Please read through this entire document before proceeding with installation. If you are not confident in your mechanical skills, please seek the help of a professional to perform the installation. Check your packages immediately upon arrival to ensure that everything listed is included, and to check for damage during shipping. ***If anything is missing or damaged, or if you need technical assistance with any aspect of this installation, call Prinsu at (208) 528-0664 as soon as possible.***

# Est. Installation Time

30 MIN

## Introduction

This will be a universal guide as the accessory panels are all very similar in the way they install. Hardware will differ slightly and suction cup placement will slightly differ, but the install steps will be the same.

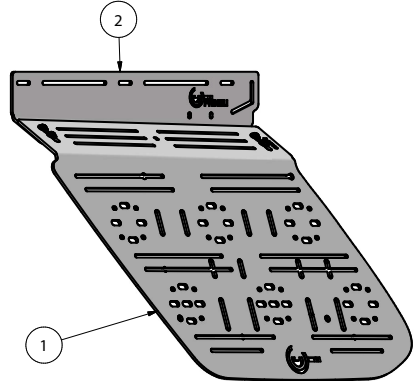
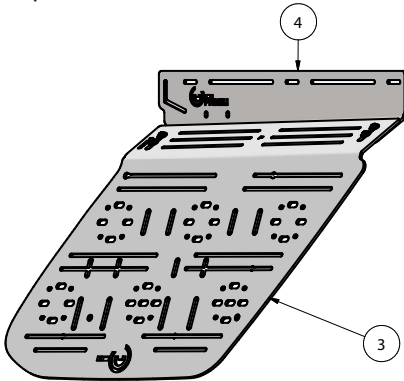
## Hardware

- 1/4" - 20 torque to 8 ft lbs
- 5/16" - 18 torque to 17 ft lbs

## Tools Required

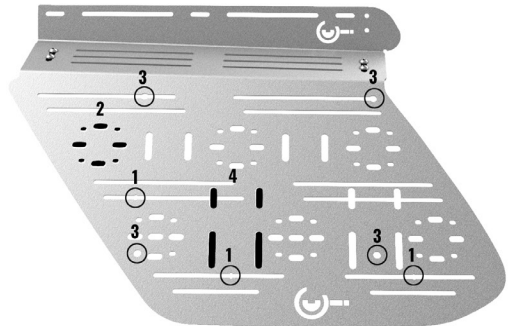
- 5/32" Allen
- T 30 Torque bit
- 3/16" Allen
- Phillips head screwdriver

PARTS LIST		
ITEM	QTY	DESCRIPTION
1	1	Window Panel Lower Driver Side
2	1	Base Mounting Bracket Driver Side 2.0
3	1	Window Panel Passenger Lower
4	1	Base Mounting Bracket Passenger Side 2.0



## MOUNTING OPTIONS

1. SUCTION CUP LOCATIONS (FOR INSTALL)
2. ROTOPAX
3. MAXTRAX MINI
4. POWER TANK
5. \*QUICK FISTS
6. \*DMOS UNIVERSAL MOUNT



\* CAN BE MOUNTED IN NUMEROUS LOCATIONS ON MAIN FACE.

**Max accessory weight 50 lbs**

## Sequence of Steps

1. Hold the accessory panel top plate up next to the side rail and locate and remove the cross-bar bolts you will need to remove. In the photo below it will be the three rear crossbars.
2. Align the Accessory panel with the two mounting holes on the top plate, start a couple bolts to hold the panel in place. Locate where to mount the suction cups. The panel pictured below is designed to have two suction cups, suction cup locations are circled. Make sure the suction cup location will have a full connection with the window. Some window panels are designed with a smaller suction cup that is meant to attach to the body of the vehicle. Make sure that if you are attaching the smaller suction cup to the body of the vehicle, you thoroughly clean the vehicle and apply the included clear protective vinyl.
3. Remove the panel and install the suction cups to the panel. Make sure to orient the suction cups so that you will be able to access the pump button.
4. Reinstall the panel, press firmly on the panel to compress the suction cups. And depress the pump button until the suction cup is fully compressed.
5. Tighten remaining hardware and you're done!

**Note for Dealers and Installers:**  
**Read through all instructions before starting install.** It is your responsibility to ensure instructions are given to the end user or client.

### **IMPORTANT!**

All products built and designed by Prinsu Design Studio are intended for off-road use and should be assembled, installed, and used according to Prinsu Design Studio's recommendations. Prinsu Design Studio products should be used safely with good judgment towards others and the environment. By installing Prinsu Design Studio Products on your vehicle you assume all liability. Prinsu Design Studio will not be held liable for damages or loss associated with the installation or use of its products.

Be smart, use good judgement, don't overload your vehicle to the point of inferior handling and maneuverability!

### **\*\*\* WARNING\*\*\***

Neither the seller nor the manufacturer will be liable for any loss, damage, or injury directly or indirectly arising from the use of or inability to determine the use of these products. Before using, the user shall determine the suitability of the product(s) for its intended use(s), and the user shall assume all responsibility and risk in connection therewith.

## WARRANTY

PRINSU DESIGN STUDIO will warranty all PRINSU DESIGN STUDIO manufactured parts for a LIFETIME of use. This limited Lifetime Warranty is effective for as long as the original retail purchaser owns the product. This warranty terminates when the original retail purchaser sells or otherwise transfers the product to any other person. Each manufactured product must be installed following PRINSU DESIGN STUDIO'S recommended fitment and installation procedures. Any customization or modification to the original product design, functionality, or use, either by said customer or by PRINSU DESIGN STUDIO voids all warranty eligibility. It is the sole discretion of CBI Offroad to determine warranty eligibility. Subject to the limitations and exclusions described in this warranty, PRINSU DESIGN STUDIO will remedy defects in materials or workmanship by repairing or replacing, at its option, a defective product without charge for parts. In addition, PRINSU DESIGN STUDIO may elect, at its option, not to repair or replace a defective product but rather issue to a purchaser a refund equal to the purchase price paid for the product or a credit to be used toward the purchase of a new PRINSU DESIGN STUDIO product. No warranty is given for defects caused by normal wear and tear, cosmetic rust, scratches, accidents, unlawful vehicle operation, products used for racing or competition, or modification of, or any types of repair of, a PRINSU DESIGN STUDIO manufactured product. The PRINSU DESIGN STUDIO Warranty does not include the powder coated finish. No warranty is given for defects resulting from conditions beyond PRINSU DESIGN STUDIO'S control including, but not limited to, misuse, neglect, overloading, improperly maintained or failure to assemble, mount or use the product in accordance with PRINSU DESIGN STUDIO'S written instructions or guidelines included with the product or implied use made available to the purchaser.

DISCLAIMER OF LIABILITY REPAIR OR REPLACEMENT OF A DEFECTIVE PRODUCT OR THE ISSUANCE OF A REFUND OR CREDIT (AS DETERMINED BY PRINSU DESIGN STUDIO) IS A PURCHASER'S EXCLUSIVE REMEDY UNDER THIS WARRANTY. DAMAGE TO A PURCHASER'S VEHICLE, CARGO AND/OR TO ANY OTHER PERSON OR PROPERTY IS EXCLUDED. THIS WARRANTY IS EXPRESSLY MADE IN LIEU OF ANY AND ALL OTHER WARRANTIES, EXPRESS OR IMPLIED, INCLUDING THE WARRANTIES OF MERCHANTABILITY AND FITNESS FOR A PARTICULAR PURPOSE. PRINSU DESIGN STUDIO'S SOLE LIABILITY TO ANY PURCHASER IS LIMITED TO THE REMEDY SET FORTH ABOVE. IN NO EVENT WILL PRINSU DESIGN STUDIO BE LIABLE FOR ANY LOST PROFITS, LOST SALES, OR FOR ANY CONSEQUENTIAL, DIRECT, INDIRECT, INCIDENTAL, SPECIAL, EXEMPLARY, OR PUNITIVE DAMAGES OR FOR ANY OTHER DAMAGES OF ANY KIND OR NATURE



792 E Iona Rd.  
Idaho Falls, ID 83274  
cbioffroadfab.com  
208.528.0664