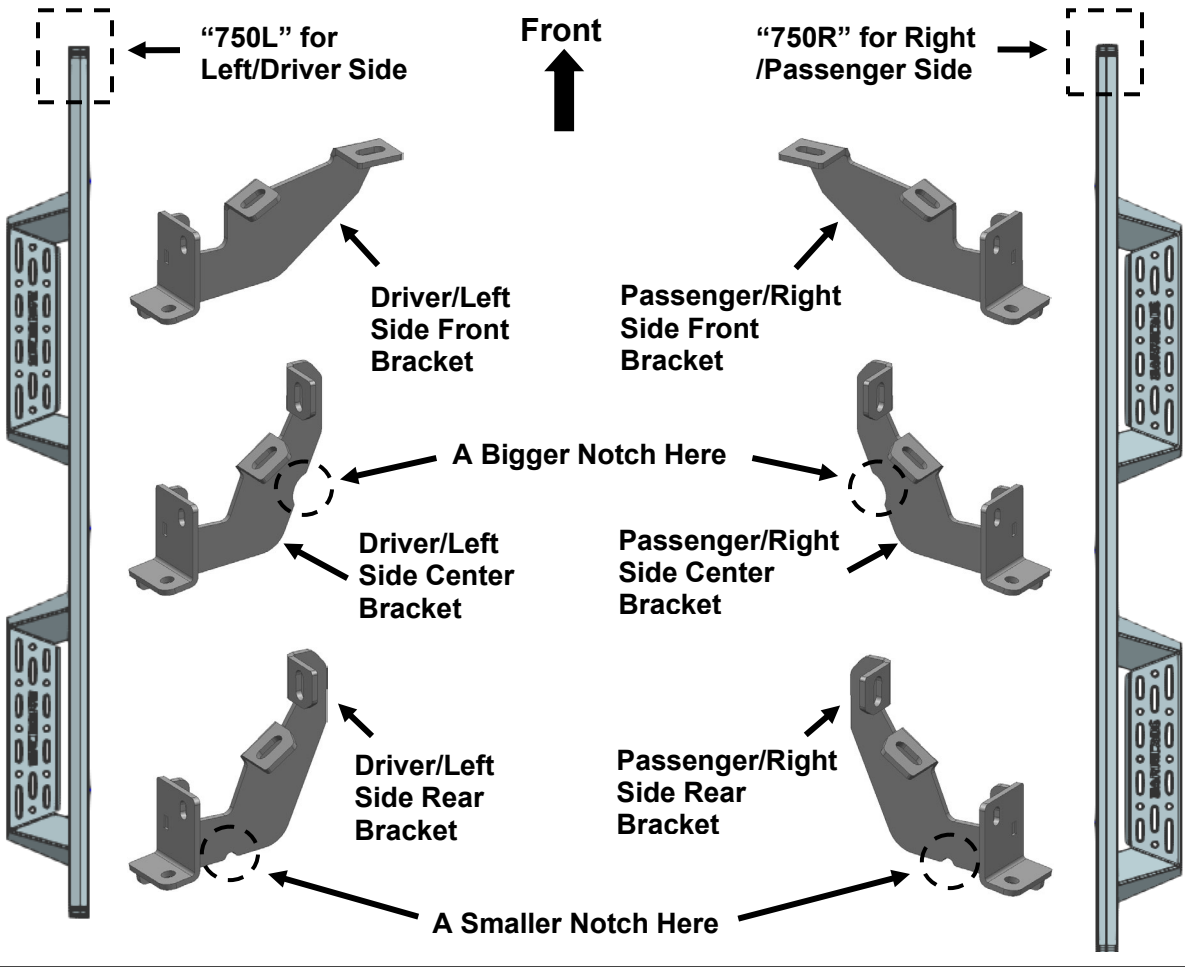


BARRICADE

**INSTALLATION INSTRUCTIONS
CANYON DROP STEPS
21-24 BRONCO 4 DOOR**

Part List





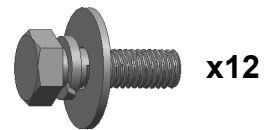
10mm x 30mm
Hex Bolt



10mm Flat Washer



10mm Lock Washer



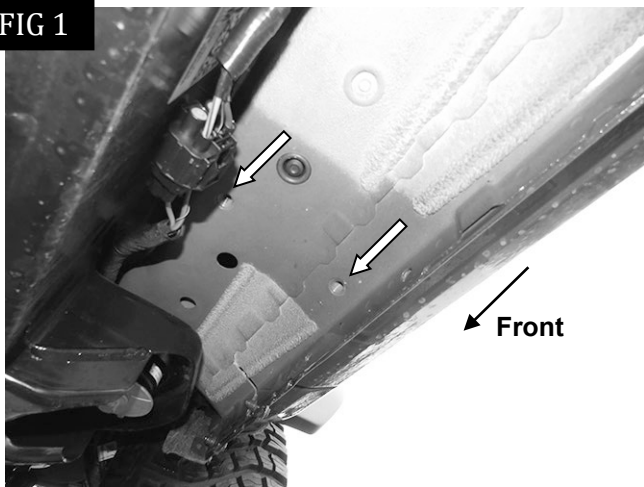
8mm x 25mm
Combo Bolt

PLEASE NOTE THAT THE FOLLOWING PICTURES ARE BASED ON THE PASSENGER SIDE INSTALLATION

STEP 1

Starting from underneath the Passenger/Right body panel, locate the front mounting location and the threaded holes in the body panel, **(Fig 1)**. Remove the plastic plugs covering the holes.

FIG 1



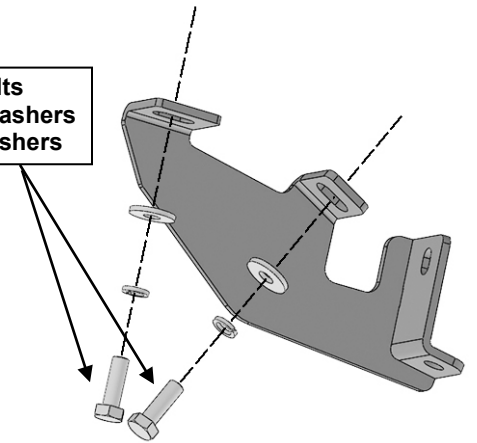
(Fig 1) Passenger/Right front mounting location

STEP 2

Select the Passenger/Right Front Mounting Bracket. Attach the Mounting Bracket to the front location with (2) 10mm Hex Bolts, (2) 10mm Lock Washers and (2) 10mm Flat Washers, **(Fig 2)**. Do not tighten hardware.

FIG 2

(2) 10mm Hex Bolts
(2) 10mm Lock Washers
(2) 10mm Flat Washers

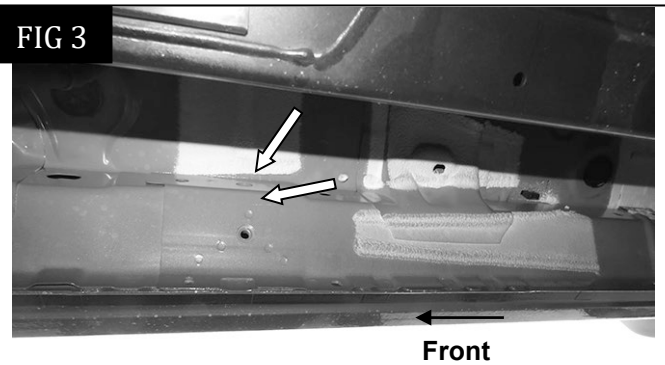


(Fig 2) Attach the Passenger/Right Front Mounting Bracket to the front location

STEP 3

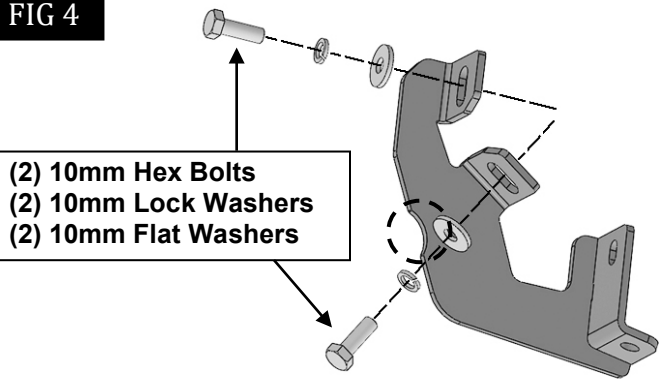
Repeat **Steps 1-2** to attach Passenger/Right Center and Rear Mounting Brackets to the center and rear locations, **(Figs 3-6)**. **NOTE:** There is a **Bigger Notch** on the rear of the Center Brackets and a **Smaller Notch** on the bottom of the Rear Brackets. Do not tighten hardware.

FIG 3



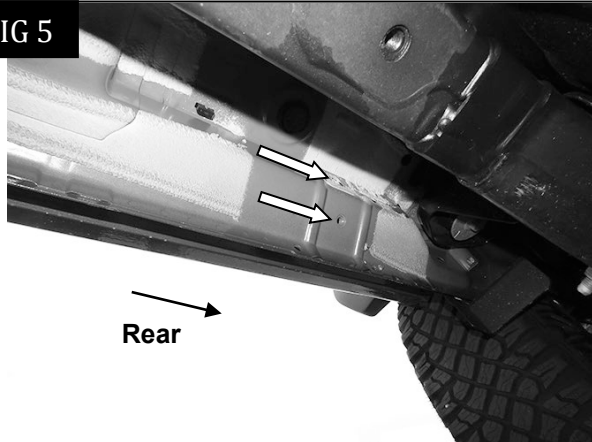
(Fig 3) Passenger/Right center mounting location

FIG 4



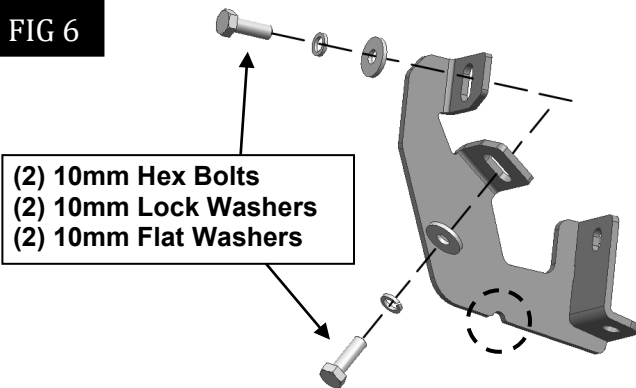
(Fig 4) Attach (1) Passenger/Right Center Mounting Bracket to the center location. **Note: A Bigger Notch** on the rear of the Center Brackets

FIG 5



(Fig 5) Passenger/Right rear mounting location

FIG 6

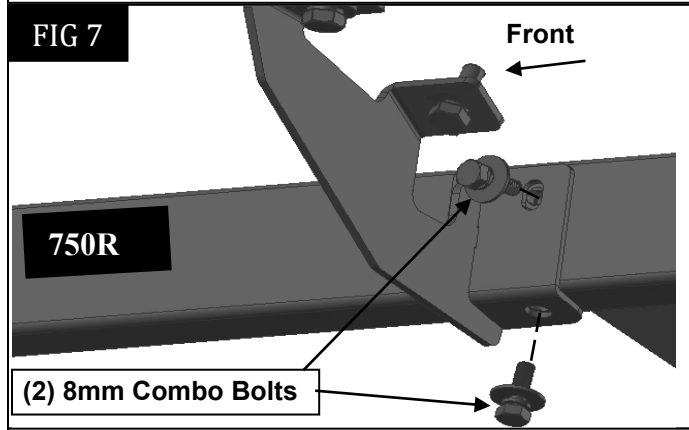


(Fig 6) Attach (1) Passenger/Right Rear Mounting Bracket to the Rear location. **Note: A Smaller Notch** on the bottom of the Rear Brackets

STEP 4

Select the Passenger/Right Running Board.
NOTE: The Passenger/Right Running Board will have a “750R” on the front. Carefully place Running Board on the brackets. Attach Running Board to the (3) Mounting Brackets with (6) 8mm Combo Bolts, (Fig 7). Do not tighten hardware.

FIG 7



(Fig 7) Attach the Passenger/Right Running Board to the Mounting Brackets

STEP 5

Level and adjust the Running Board and fully tighten all hardware.

STEP 6

Repeat Steps 1—5 to attach the Driver/Left Running Board.

STEP 7

Do periodic inspections to the installation to make sure that all hardware is secure and tight.

To protect your investment, wax this product after installing. Regular waxing is recommended to add a protective layer over the finish. Do not use any type of polish or wax that may contain abrasives that could damage the finish. Mild soap may be used to clean the Running Board.