

# REDROCK

## TC3 HD ROCKER STEP

PART #: FB54062

**FITS:** 2021-Up Ford Bronco 4 Door



60-120 min





Cutting Not Required



Drilling Not Required

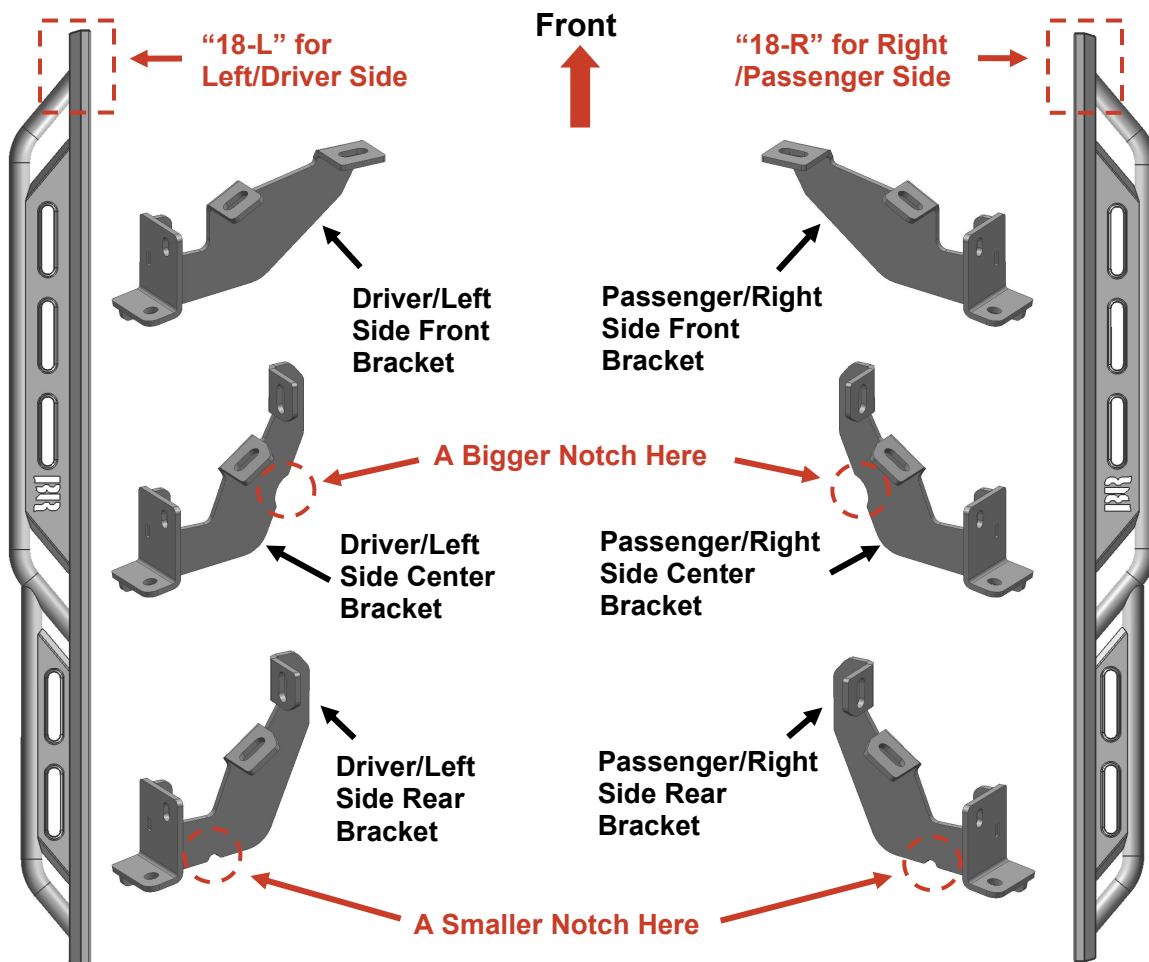
### Torque & Tools

Fastener Size	Tightening Torque (ft-lbs)	Wrench Required	Allen Wrench Required	
<input type="checkbox"/> 6mm	<input type="checkbox"/> 7-8.5		<input type="checkbox"/> 10mm	
<input checked="" type="checkbox"/> 8mm	<input checked="" type="checkbox"/> 18-20		<input checked="" type="checkbox"/> 13mm	
<input checked="" type="checkbox"/> 10mm	<input checked="" type="checkbox"/> 35-40		<input checked="" type="checkbox"/> 16mm	
<input type="checkbox"/> 12mm	<input type="checkbox"/> 60-70		<input type="checkbox"/> 18mm	
				<input type="checkbox"/> 4mm
				<input type="checkbox"/> 5mm
				<input type="checkbox"/> 6mm
				<input type="checkbox"/> 8mm

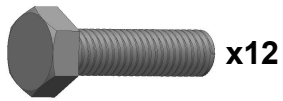
### BEFORE INSTALLATION

REMOVE CONTENTS FROM BOX. VERIFY ALL PARTS ARE PRESENT. READ INSTRUCTIONS CAREFULLY BEFORE STARTING INSTALLATION. ASSISTANCE IS RECOMMENDED.

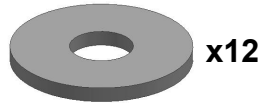
### Part List



# REDROCK



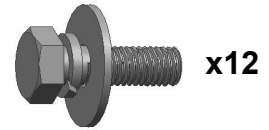
10mm x 30mm  
Hex Bolt



10mm Flat Washer



10mm Lock Washer



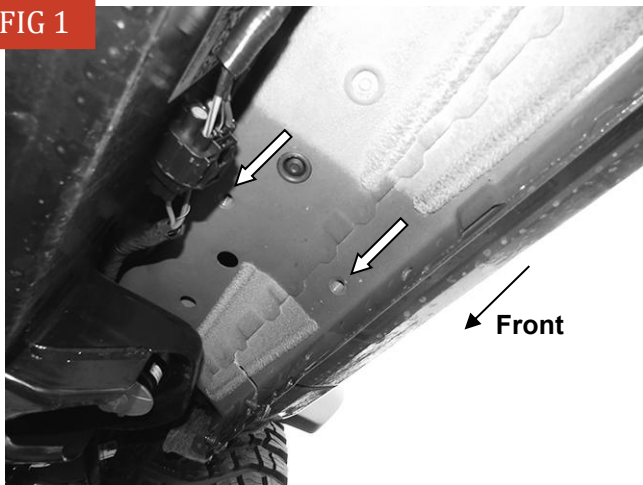
8mm x 25mm  
Combo Bolt

**PLEASE NOTE THAT THE FOLLOWING PICTURES ARE BASED ON THE PASSENGER SIDE INSTALLATION**

## STEP 1

Starting from underneath the Passenger/Right body panel, locate the front mounting location and the threaded holes in the body panel, **(Fig 1)**. Remove the plastic plugs covering the holes.

FIG 1



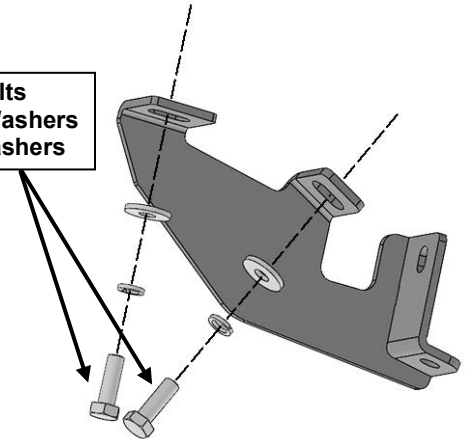
**(Fig 1) Passenger/Right front mounting location**

## STEP 2

Select the Passenger/Right Front Mounting Bracket. Attach the Mounting Bracket to the front location with (2) 10mm Hex Bolts, (2) 10mm Lock Washers and (2) 10mm Flat Washers, **(Fig 2)**. Do not tighten hardware.

FIG 2

(2) 10mm Hex Bolts  
(2) 10mm Lock Washers  
(2) 10mm Flat Washers

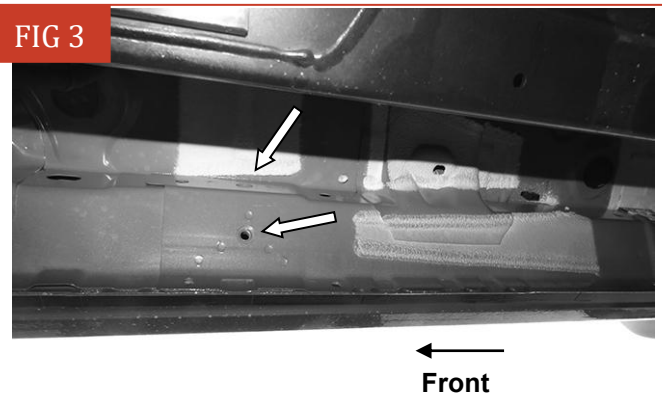


**(Fig 2) Attach the Passenger/Right Front Mounting Bracket to the front location**

## STEP 3

Repeat **Steps 1-2** to attach Passenger/Right Center and Rear Mounting Brackets to the center and rear locations, **(Figs 3-6)**. **NOTE: There is a Bigger Notch on the rear of the Center Brackets and a Smaller Notch on the bottom of the Rear Brackets.** Do not tighten hardware.

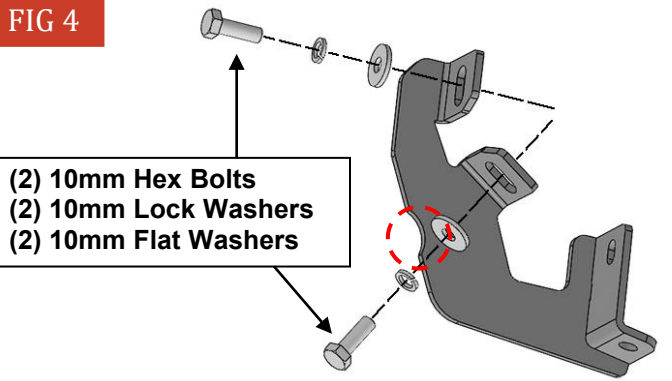
FIG 3



**(Fig 3) Passenger/Right center mounting location**

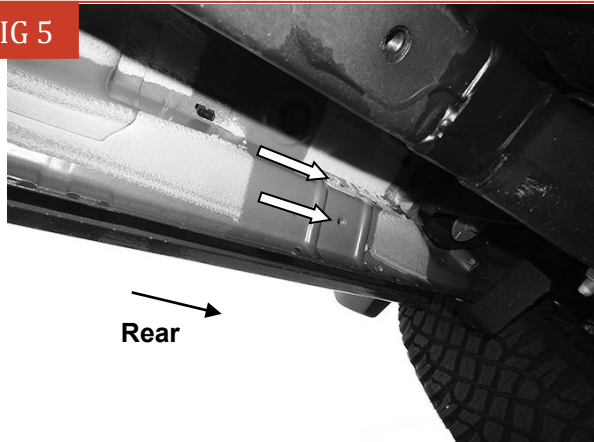
# REDROCK

FIG 4



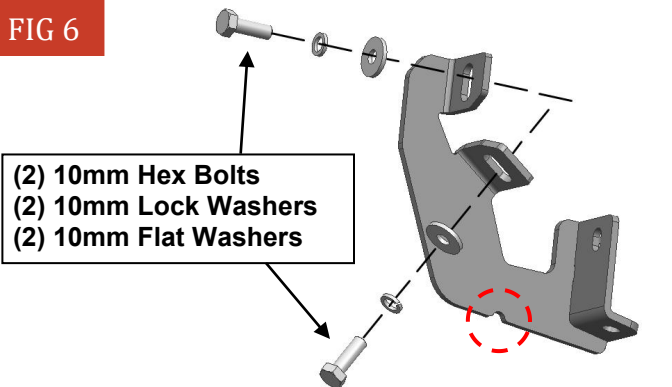
(Fig 4) Attach (1) Passenger/Right Center Mounting Bracket to the center location. **Note: A Bigger Notch on the rear of the Center Brackets**

FIG 5



(Fig 5) Passenger/Right rear mounting location

FIG 6

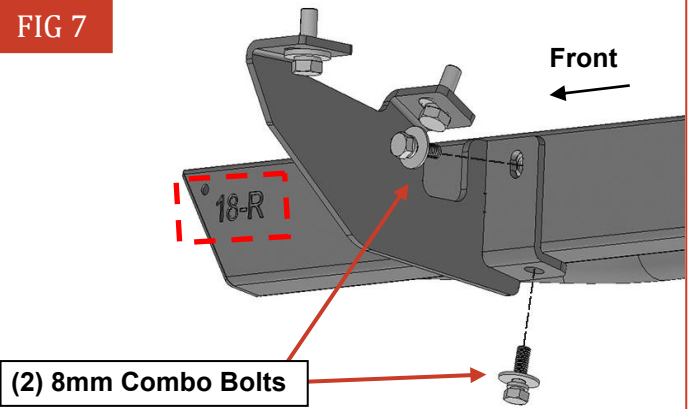


(Fig 6) Attach (1) Passenger/Right Rear Mounting Bracket to the Rear location. **Note: A Smaller Notch on the bottom of the Rear Brackets**

## STEP 4

Select the Passenger/Right Running Board.  
**NOTE: The Passenger/Right Running Board will have a "18-R" on the front.** Carefully place Running Board on the brackets. Attach Running Board to the (3) Mounting Brackets with (6) 8mm Combo Bolts, (Fig 7). Do not tighten hardware.

FIG 7



(Fig 7) Attach the Passenger/Right Running Board to the Mounting Brackets

## STEP 5

Level and adjust the Running Board and fully tighten all hardware.

## STEP 6

Repeat **Steps 1—5** to attach the Driver/Left Running Board.

## STEP 7

Do periodic inspections to the installation to make sure that all hardware is secure and tight.

### Attention

To protect your investment, do not use any type of polish or wax that may contain abrasives that could damage the finish.

Mild soap may be used also to clean the Running Boards.