



---

# FORMED HD RUNNING BOARDS

(2021-2024+ FORD BRONCO 4 DOOR)

---

## INSTALLATION INSTRUCTIONS

---

### CONTENTS

- (1) LH Running Board
- (1) RH Running Board
- (1) LH Front Bracket [DF]
- (1) LH Center Bracket [DC]
- (1) LH Rear Bracket [DR]
- (1) RH Front Bracket [PF]
- (1) RH Center Bracket [PC]
- (1) RH Rear Bracket [PR]
- (12) M10 x 30mm Hex Bolts
- (12) M10 x 27mm OD x 3mm Flat Washers
- (12) M10 Lock Washers
- (12) M8 x 25mm Combo Bolts

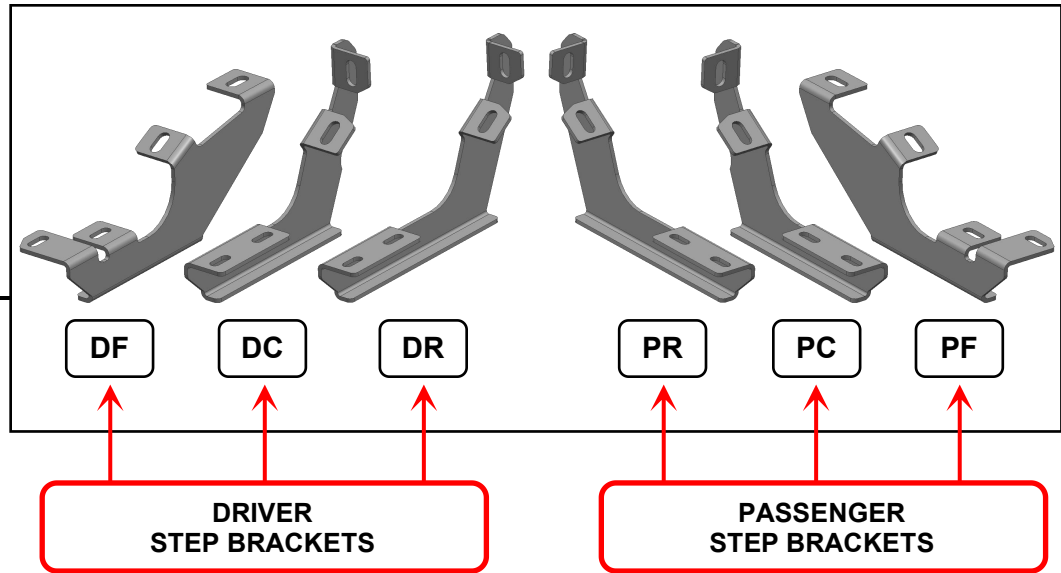
---

### TOOLS REQUIRED

- 13mm Wrench/Socket
- 16mm Wrench/Socket
- Ratchet

SKU # FB52119  
Edited:09/13/2024

## STEP 1

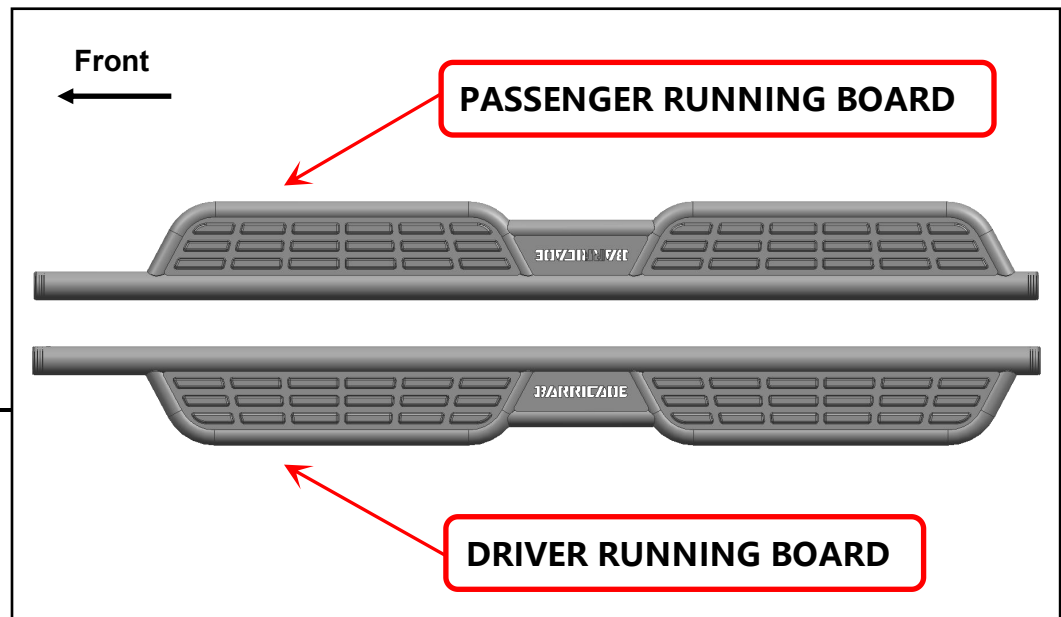


Mounting Brackets look very similar but are unique. Please identify each mounting bracket using the engraved location identifier. **Note: There is a notch on the back of the Center bracket.**

DF: Driver Front  
DC: Driver Center  
DR: Driver Rear

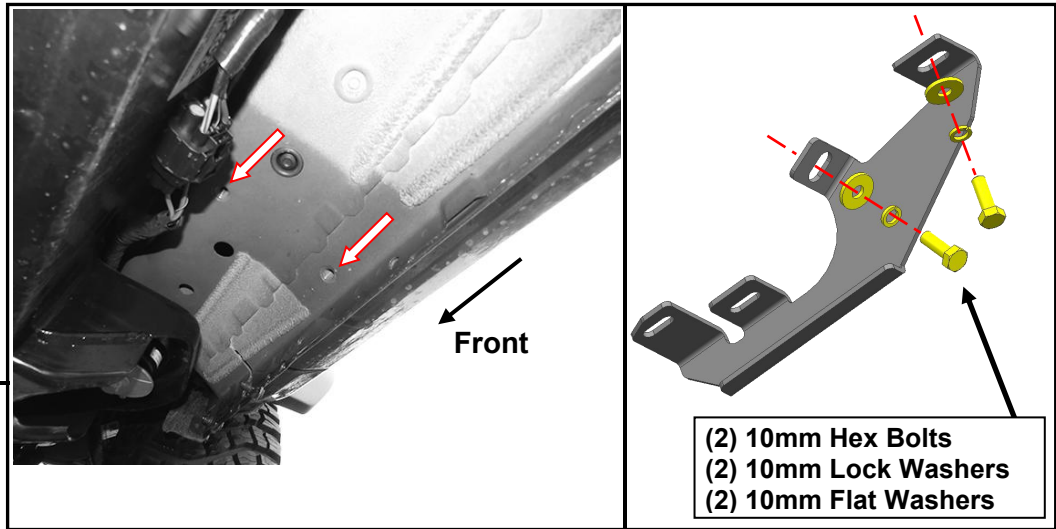
PF: Passenger Front  
PC: Passenger Center  
PR: Passenger Rear

## STEP 2



Identify each running board by identifier on the front. **Notice: "D" for Driver/Left Side; "P" for Passenger/Right Side**

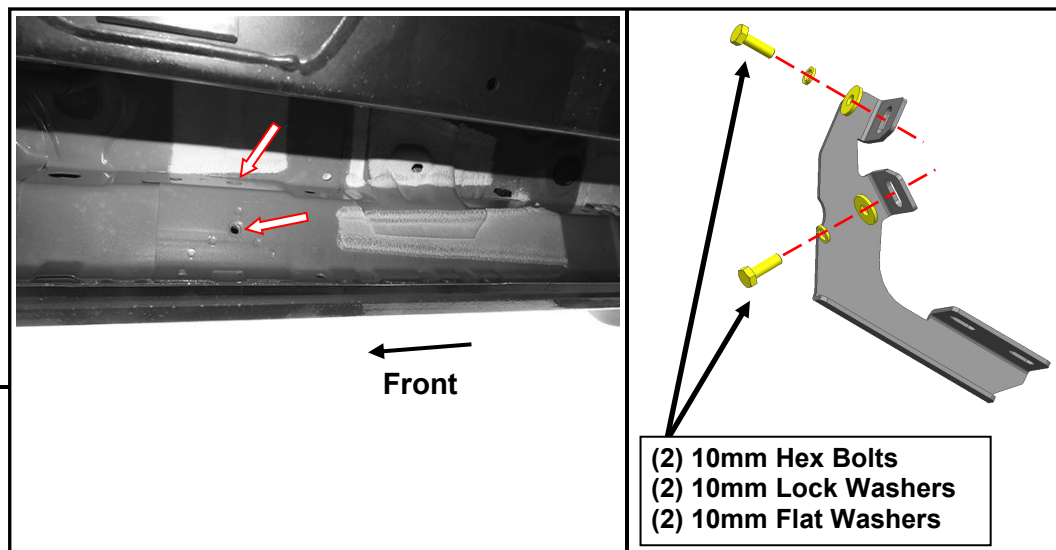
## STEP 3



Start installation toward the front of the Passenger/Right side of the vehicle.

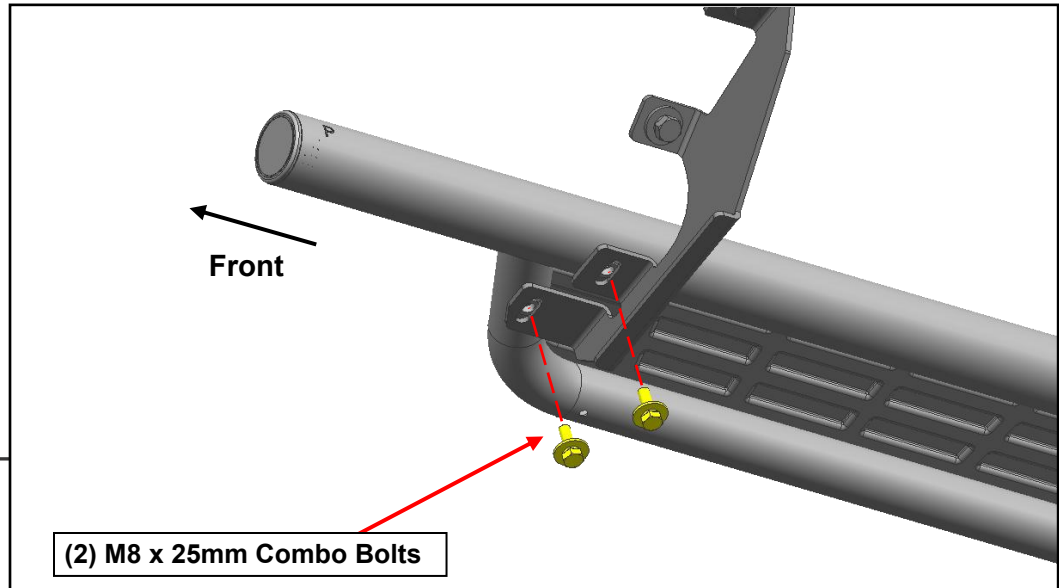
Loosely fit the (1) Passenger Front bracket to the vehicle threaded body hole using (2) M10 x 30mm bolts, (2) M10 lock washers, and (2) M10 flat washers. Do not fully tighten to allow for later adjustments.

## STEP 4



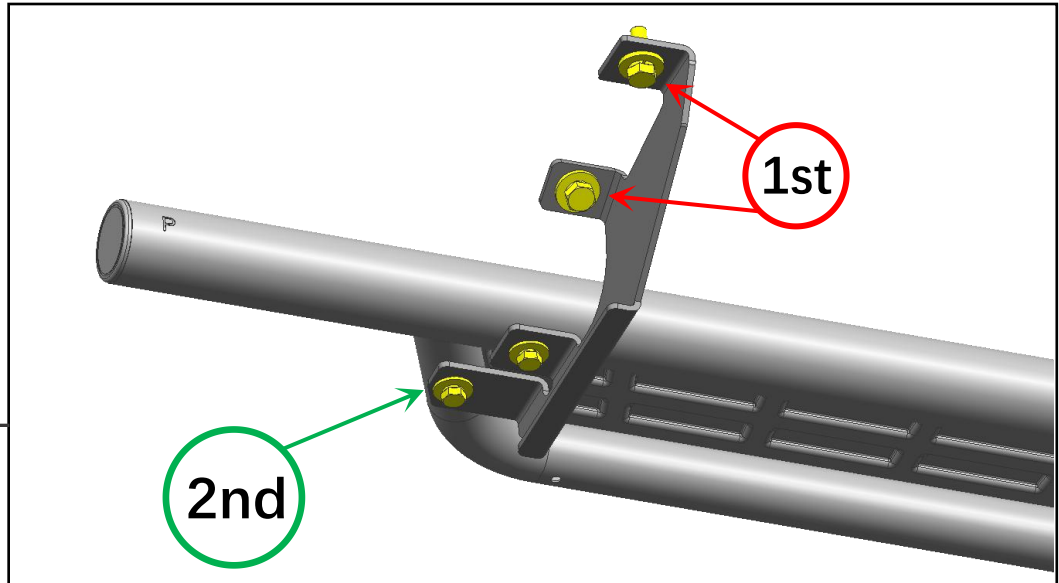
Loosely fit the (1) Passenger Center bracket to the vehicle threaded body hole using (2) M10 x 30mm bolts, (2) M10 lock washers, and (2) M10 flat washers. Do not fully tighten to allow for later adjustments. Repeat this step for the Passenger Rear bracket.

## STEP 5



With all brackets loosely mounted to the vehicle, fit the running board onto the brackets, and loosely secure into place using (6) M8 x 25mm combo bolts.

## STEP 6



Tighten the mounting brackets to the vehicle. Adjust the running board to the desired angle, and tighten the M8 combo bolts to secure the step into place. See photo for tightening order visual.

Repeat steps 1 - 6 for the remaining running board.

Installation is now complete.