



TCX DROP STEPS

(2021-2024+ FORD BRONCO 4 DOOR)

INSTALLATION INSTRUCTIONS

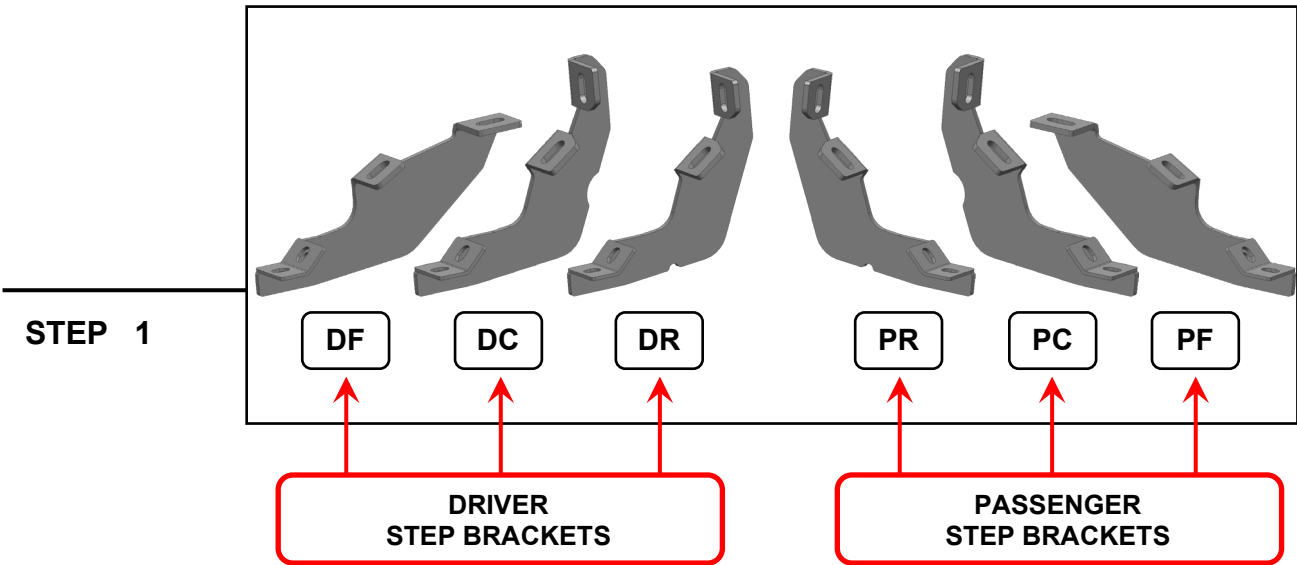
CONTENTS

- (1) LH Drop Step
- (1) RH Drop Step
- (1) LH Front Bracket [DF]
- (1) LH Center Bracket [DC]
- (1) LH Rear Bracket [DR]
- (1) RH Front Bracket [PF]
- (1) RH Center Bracket [PC]
- (1) RH Rear Bracket [PR]
- (12) M10 x 30mm Hex Bolts
- (12) M10 x 27mm OD x 3mm Flat Washers
- (12) M10 Lock Washers
- (12) M8 x 25mm Combo Bolts

TOOLS REQUIRED

- 13mm Wrench/Socket
- 16mm Wrench/Socket
- Ratchet

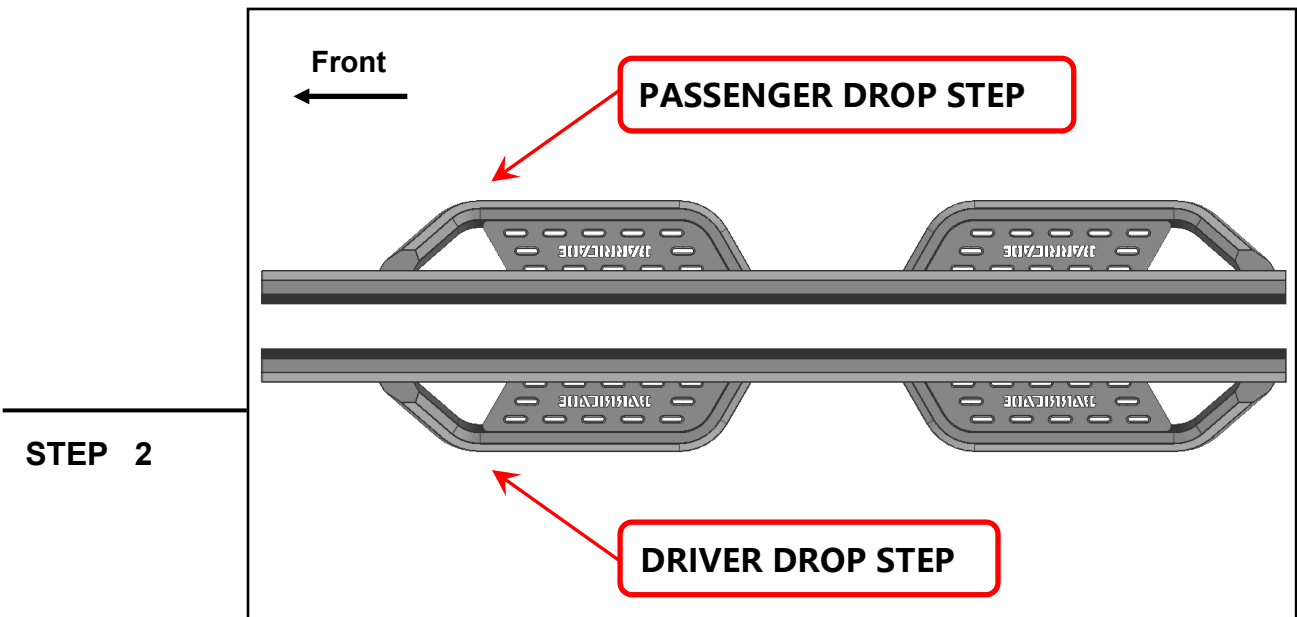
SKU # FB49667
Edited:08/09/2024



Mounting Brackets look very similar but are unique. Please identify each mounting bracket using the engraved location identifier.

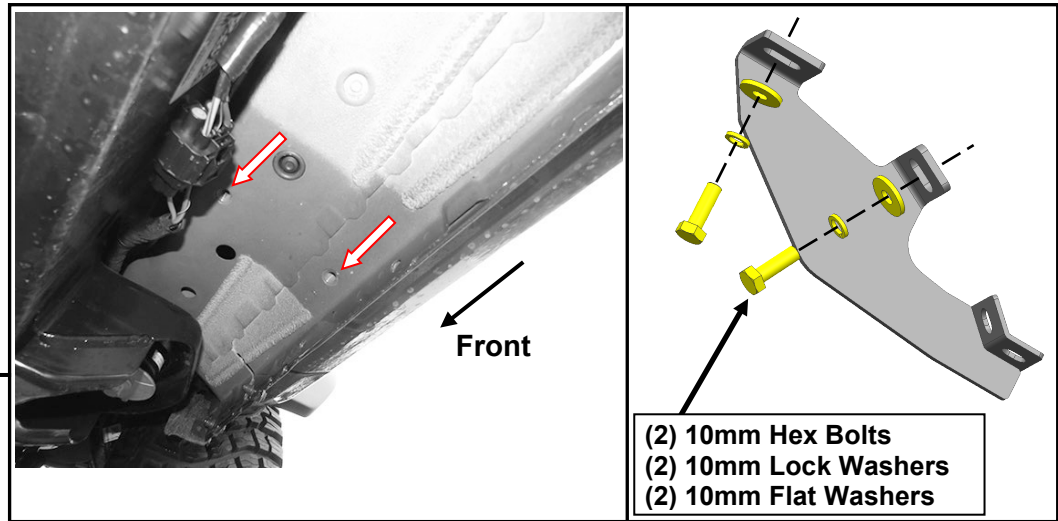
DF: Driver Front
DC: Driver Center
DR: Driver Rear

PF: Passenger Front
PC: Passenger Center
PR: Passenger Rear



Identify each drop step by identifier on the front. Notice: **“D”** for Driver/Left Side; **“P”** for Passenger/Right Side

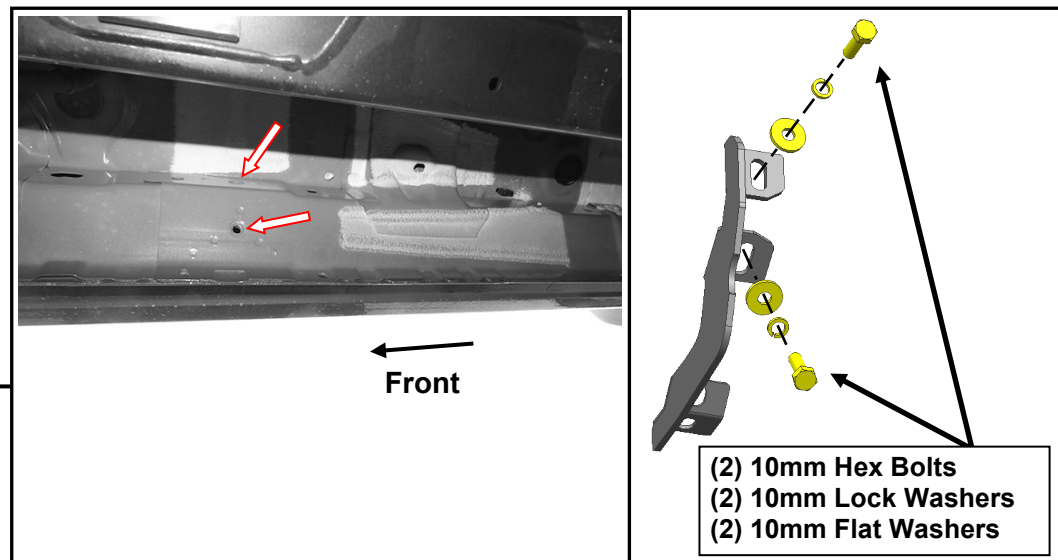
STEP 3



Start installation toward the front of the Passenger/Right side of the vehicle.

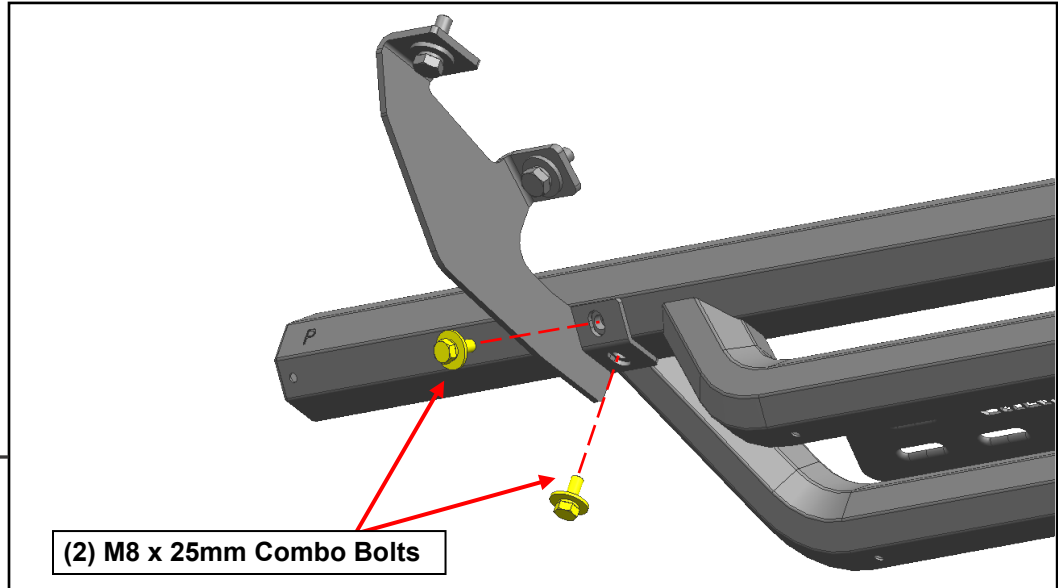
Loosely fit the (1) Passenger Front bracket to the vehicle threaded body hole using (2) M10 x 30mm bolts, (2) M10 lock washers, and (2) M10 flat washers. Do not fully tighten to allow for later adjustments.

STEP 4



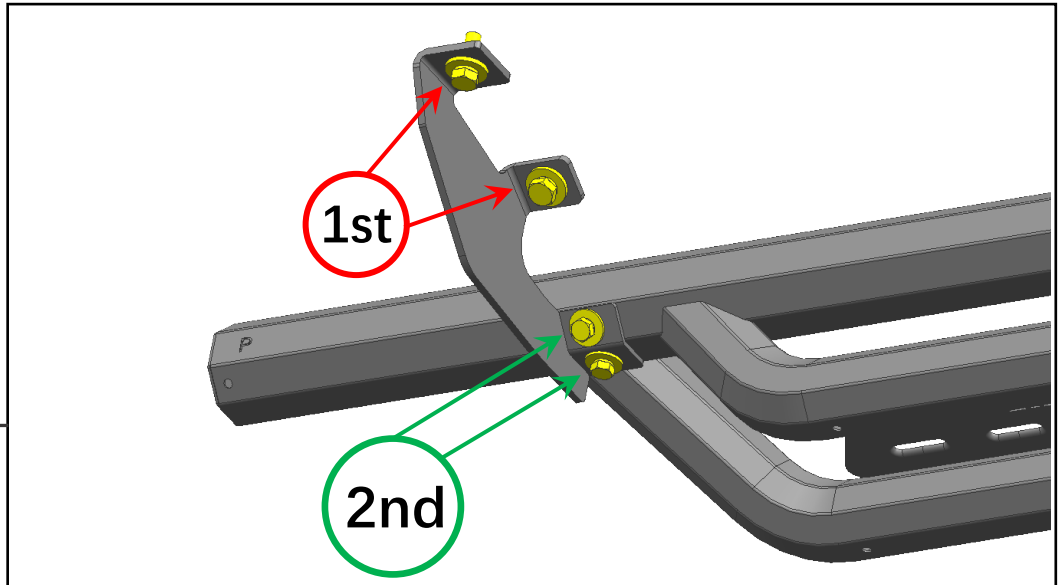
Loosely fit the (1) Passenger Center bracket to the vehicle threaded body hole using (2) M10 x 30mm bolts, (2) M10 lock washers, and (2) M10 flat washers. Do not fully tighten to allow for later adjustments. Repeat this step for the Passenger Rear bracket.

STEP 5



With all brackets loosely mounted to the vehicle, fit the drop step onto the brackets, and loosely secure into place using (6) M8 x 25mm combo bolts.

STEP 6



Tighten the mounting brackets to the vehicle. Adjust the drop step to the desired angle, and tighten the M8 combo bolts to secure the step into place. See photo for tightening order visual.

Repeat steps 1 - 6 for the remaining drop step.

Installation is now complete.