



DOOR STORAGE HANGER BRACKETS

(2021-2023+ BRONCO - 2 DOOR)

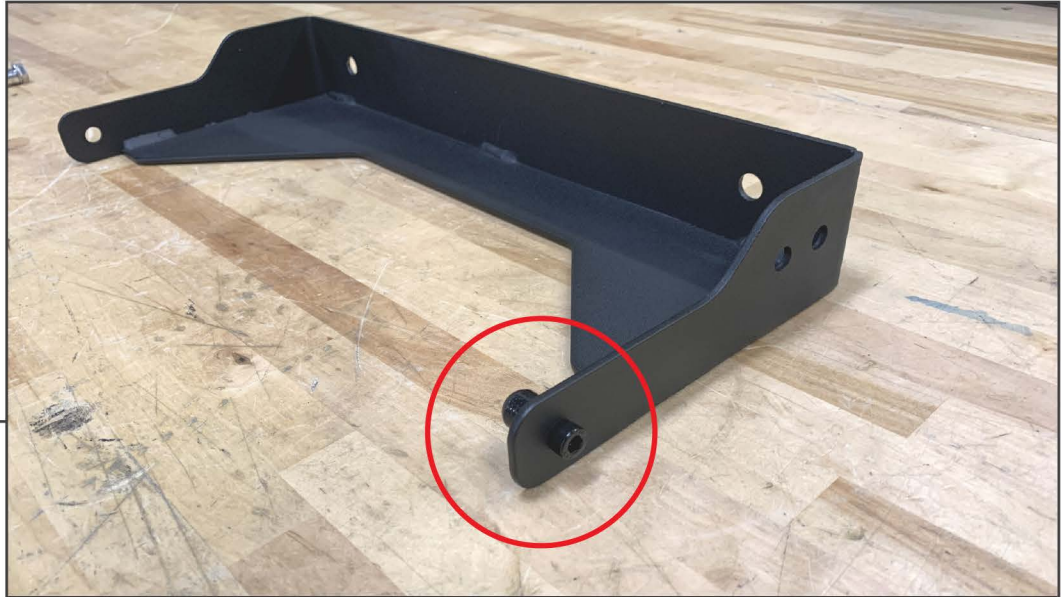
INSTALLATION INSTRUCTIONS

CONTENTS

- (1) Front Left Bracket [FL]
- (1) Front Right Bracket [FR]
- (4) 2.5" Lag Bolts
- (4) Concrete Anchors
- (2) M8 Bolts
- (2) M6 x 1.00 x 15mm Bolts
- (2) M6 x 1.00 Threaded Dowels

TOOLS REQUIRED

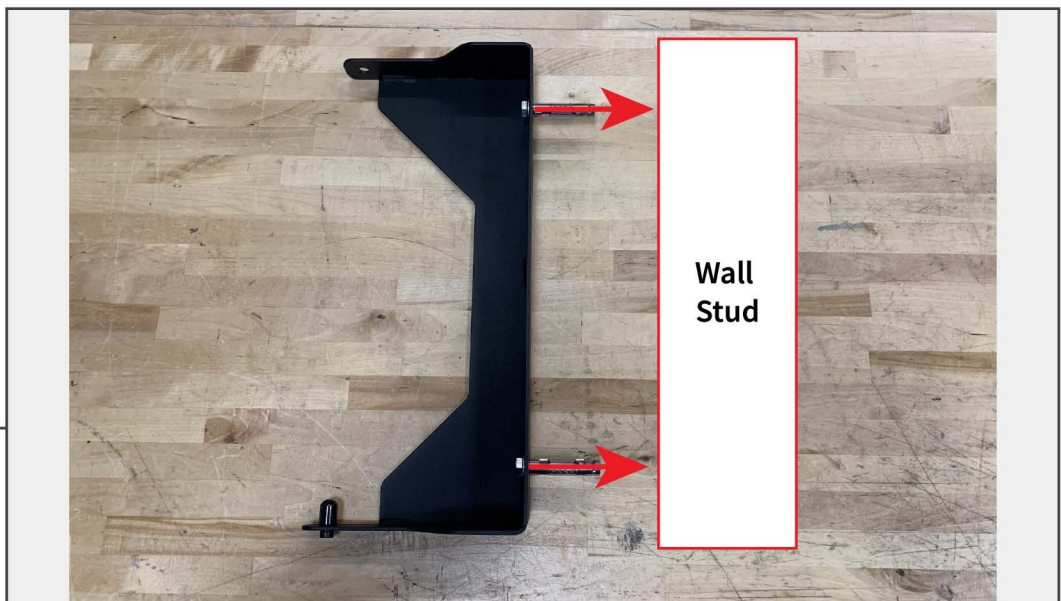
- 5mm, 6mm Allen Keys/Sockets
- 13mm Socket
- Ratchet
- Pliers
- Stud Finder
- Power Drill
- Level
- Masking Tape
- Marker



STEP 1

Identify each hanger bracket using the identification labels on each package. It is suggested to use masking tape and a marker to label each bracket for future reference.

Install (1) M6 x 1.00 dowel to the bottom of the bracket using (1) M6 x 15mm Allen bolt. Tighten the bolt & dowel until secure.



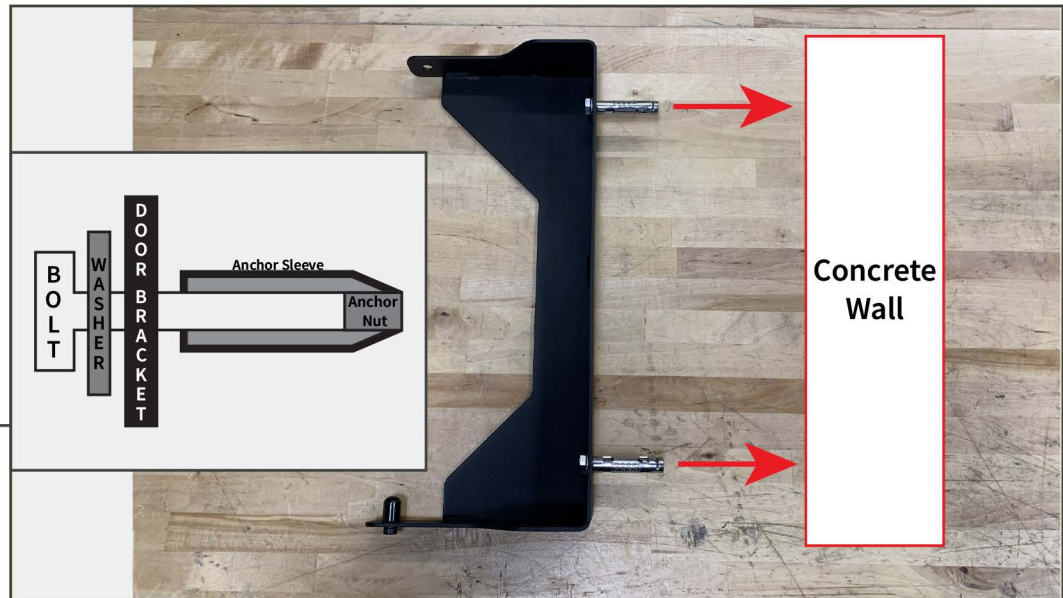
STEP 2 (WOODEN WALL STUDS)

Use a stud finder to locate the wall studs. Once located, align the mounting bracket to the stud, and mark the (2) holes on the wall using a pencil. Use the (2) lag bolts to secure the bracket to the wall stud. If anchoring into concrete wall, see step 3.

Note: Ensure to use a level to ensure the door will rest level on the wall.

Note: Take into consideration the door lifting height. It is suggested to mount the brackets similar to the vehicle ride height or lower to ensure ease of door mounting.

STEP 3 (CONCRETE)

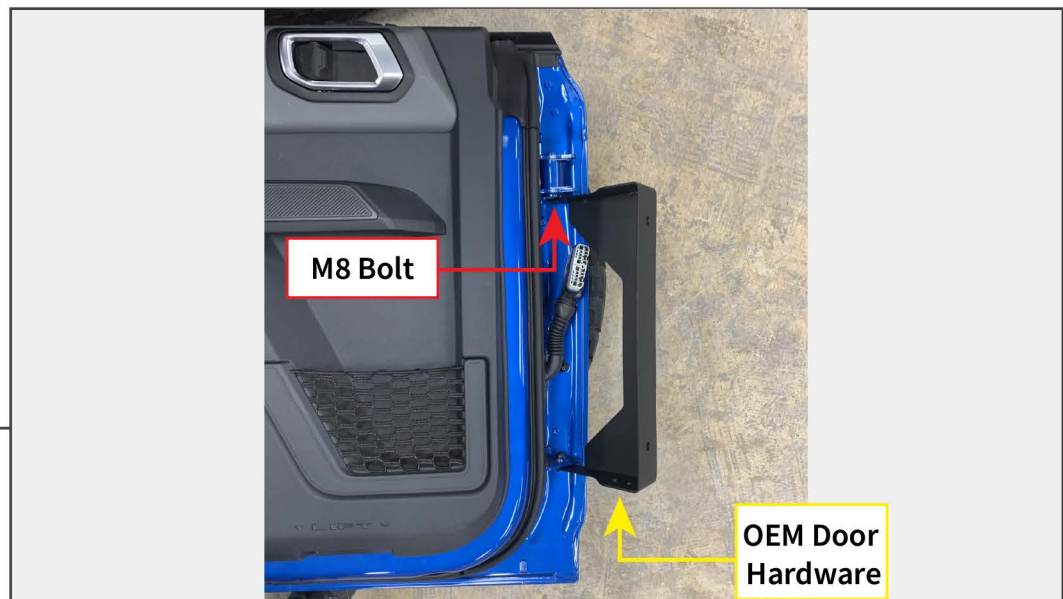


Find the appropriate mounting position along the concrete wall. Once located, align the mounting bracket to the wall, and mark the (2) holes on the wall using a pencil. Pre-drill the holes using a 15/32" drill bit. Fit the anchors to the door bracket, and into then into the drilled holes. Tighten the anchors to secure the door bracket to the wall.

Note: Ensure to use a level to ensure the door will rest level on the wall.

Note: Take into consideration the door lifting height. It is suggested to mount the brackets similar to the vehicle ride height or lower to ensure ease of door mounting.

STEP 4



Remove the door from the vehicle following the OEM door removal procedure. Lift the door to the mounted door bracket and fit the bottom door hinge into the M6 dowel. With the door in the lower dowel, secure the top of the door using the included (1) M8 bolt.

Place the OEM door hardware in the pre-drilled holes in the bottom of the bracket.

Repeat steps 1-3 for all remaining door brackets. Installation is now complete.