



---

# TUBULAR DROP STEPS

(2021-2023+ BRONCO - 4 DOOR)

---

## INSTALLATION INSTRUCTIONS

### CONTENTS

---

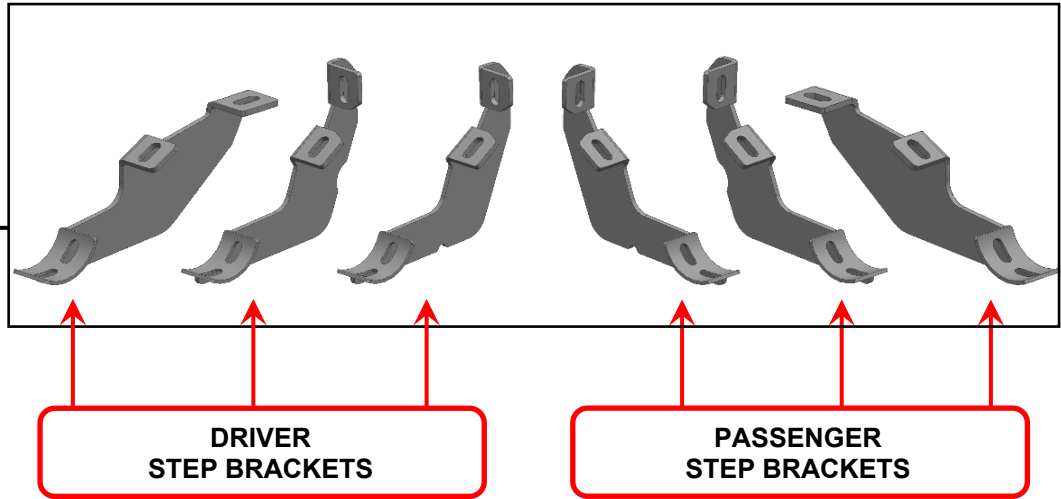
- (1) LH Side Step
- (1) RH Side Step
- (3) LH Step Brackets [DF, DC, DR]
- (3) RH Step Brackets [PF, PC, PR]
- (12) M10 x 30mm Hex Bolts
- (12) M10 x 27mm OD x 3mm Flat Washers
- (12) M10 Lock Washers
- (12) M8 x 25mm Combo Bolts

### TOOLS REQUIRED

---

13mm, 16mm, 17mm  
Sockets/Wrenches  
Ratchet

## STEP 1

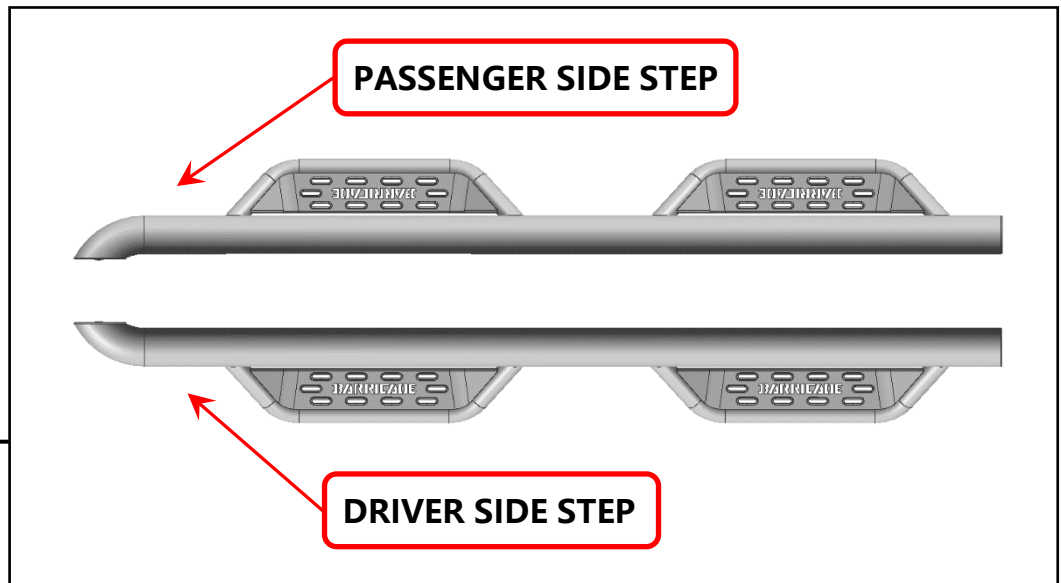


Mounting Brackets look very similar but are unique. Identify each mounting bracket using the engraved location identifier.

DF: Driver Front  
DC: Driver Center  
DR: Driver Rear

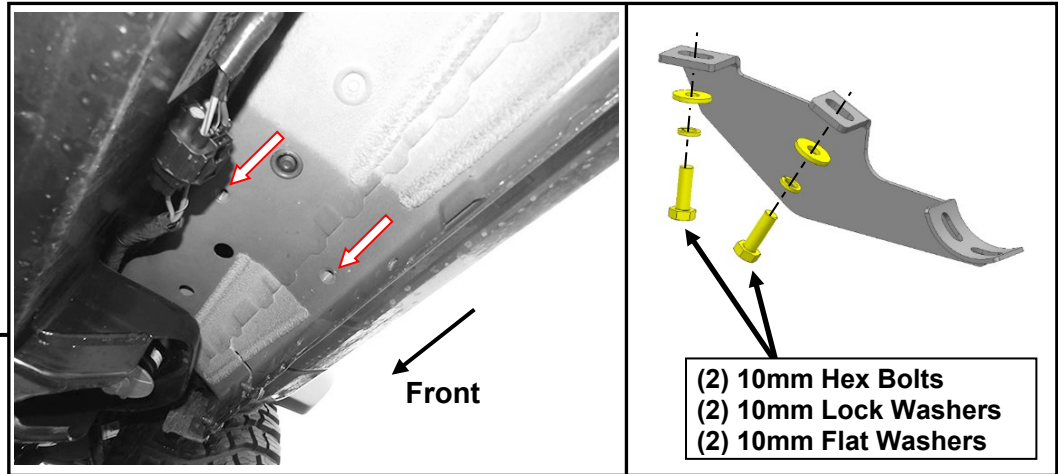
PF: Passenger Front  
PC: Passenger Center  
PR: Passenger Rear

## STEP 2



Identify each side step by the curved portion of the step.

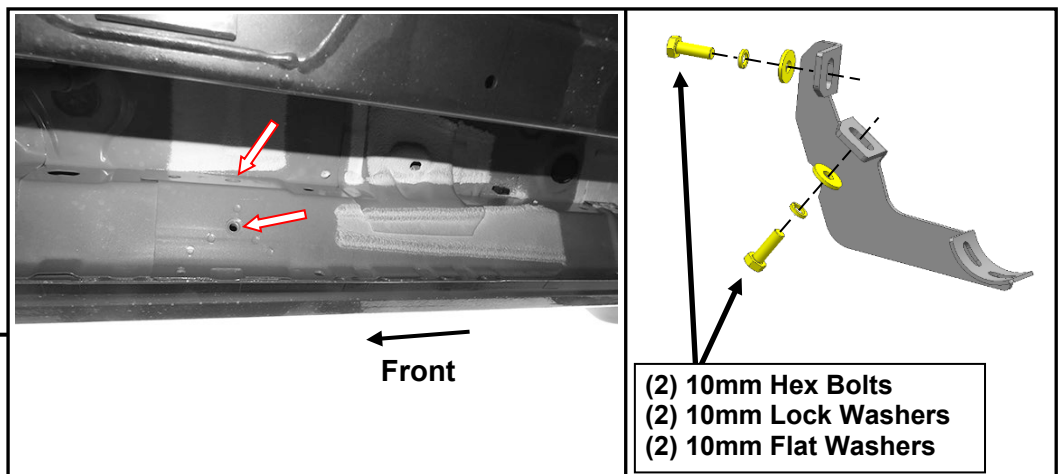
## STEP 3



Begin installation on the front of the Passenger/Right side of the vehicle.

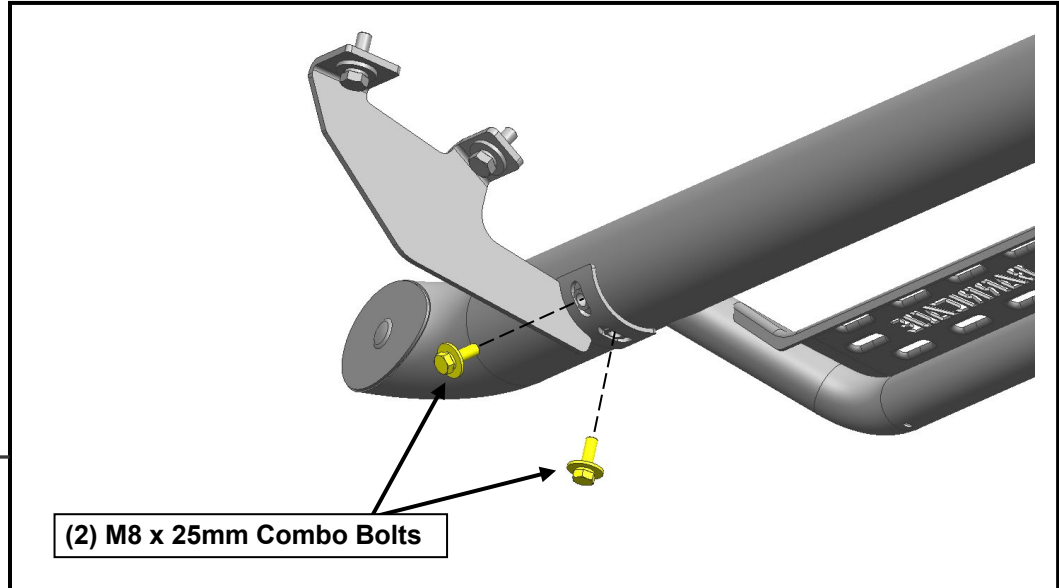
Loosely fit the (1) Passenger Front step bracket to the vehicle threaded body hole using (2) M10 x 30mm bolt, (2) M10 lock washer, and (2) M10 flat washer. Do not fully tighten to allow for later adjustments.

## STEP 4



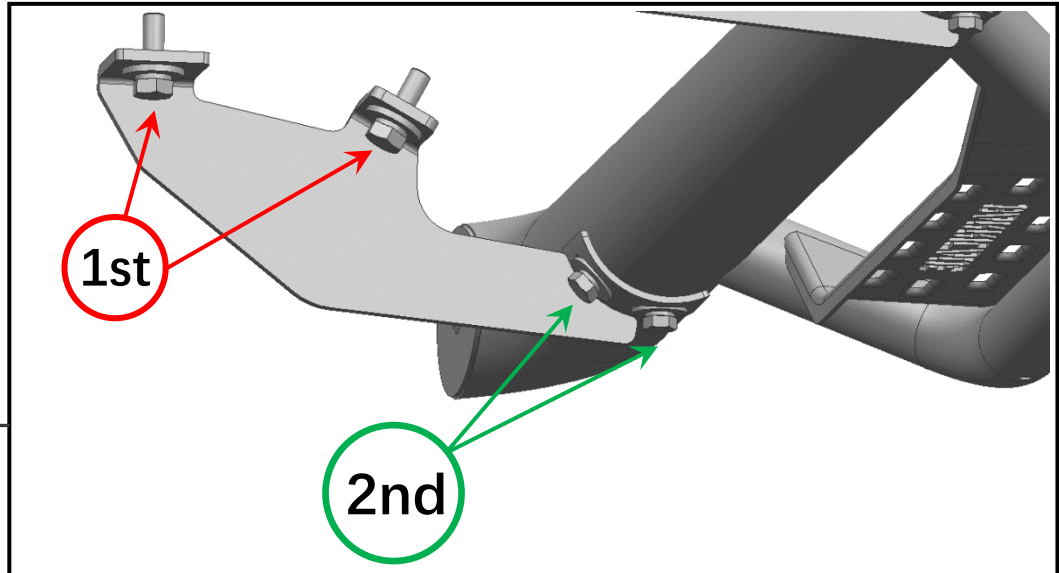
Loosely fit the (1) Passenger Center step bracket to the vehicle threaded body hole using (2) M10 x 30mm bolt, (2) M10 lock washer, and (2) M10 flat washer. Do not fully tighten to allow for later adjustments. Repeat this step for the Passenger Rear step brackets.

## STEP 5



With all brackets loosely mounted to the vehicle, fit the side step onto the brackets, and loosely secure into place using (6) M8 x 25mm combo bolts.

## STEP 6



Tighten the mounting brackets to the vehicle. Adjust the side step to the desired angle, and tighten the M8 combo bolts to secure the step into place. See photo for tightening order visual.

Repeat steps 1-6 for the remaining side step.

Installation is now complete.