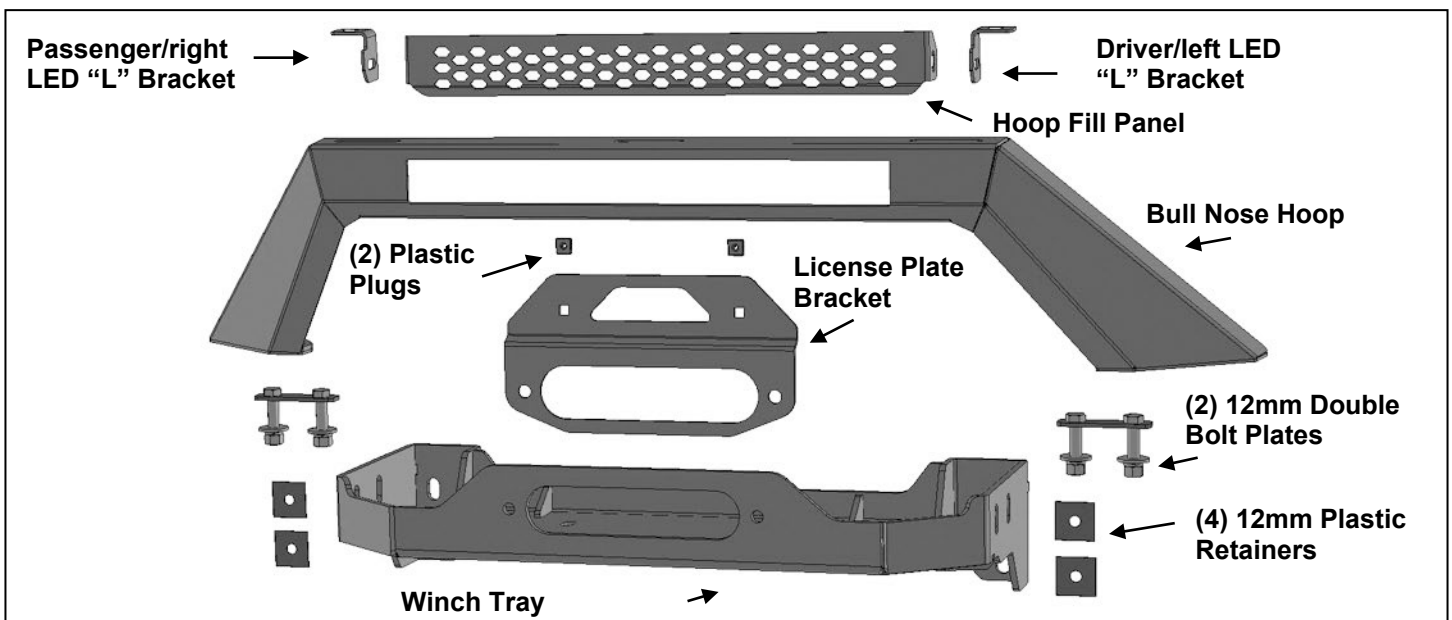


PARTS LIST:

1	Winch Tray Assem.	4	12-1.75mm Hex Nuts
1	Bull Nose Hoop	2	10-1.5mm x 30mm Button Head Bolts
1	Bull Nose Hoop Mesh Fill Panel	2	10mm x 20mm x 2mm Small Flat Washers
1	Driver/left LED “L” Bracket	2	10-1.5mm Nylon Lock Nuts
1	Passenger/Right LED “L” Bracket	4	8-1.25mm x 25mm Button Head Bolts
1	License Plate Bracket	4	8-1.25mm x 25mm Hex Bolts
2	Plastic Plugs for License Plate	2	8-1.25mm x 16mm Hex Bolts
4	12mm Plastic Retainers	14	8mm x 24mm x 2mm Flat Washers
2	12mm x 55mm Double Bolt Plates	10	8mm Lock Washers
4	12-1.75mm x 40mm Hex Bolts	4	8mm Hex Nuts
4	12mm x 32mm x 3mm Large Flat Washers	4	8mm Flange Nuts
4	12mm x 24mm x 2.5mm Small Flat Washers	1	6mm Wrench
8	12mm Lock Washers	1	5mm Wrench



PROCEDURE:

REMOVE CONTENTS FROM BOX AND VERIFY ALL PARTS ARE PRESENT. READ INSTRUCTIONS CAREFULLY. ASSISTANCE IS RECOMMENDED.

1. Remove the center cover from the top of the Bumper, (**Figure 1**). Next, remove the Fill Panel and (2) “L” Brackets if installed, (**Figure 2**).
2. Remove the Light Bar Hoop if installed, (**Figure 3**).
3. Carefully unwrap the included taller HD Bull Nose Hoop. Attach the Hoop to the top of the Bumper with the included (4) 8mm x 25mm Button Head Bolts, (4) 8mm Lock Washers, (4) 8mm Flat Washers and (4) 8mm Flange Nuts, (**Figures 4 & 5**). **NOTE:** Hoop installation is optional.
4. Select the Winch Tray. Slide the Tray into the top of the Bumper. Select (1) Double Bolt Plate, (**Figures 6 & 9**). Slide the Bolt Plate down through the driver/left rear corner of the Winch Tray and out through the back of the Tray, frame and inner Support Bracket. Repeat this **Step** to insert the remaining Double Bolt Plate through the passenger/right side of the Tray.
5. Next, attach the driver/left side of the Winch Tray to the inside of the Bumper with the included (2) 12mm x 40mm Hex Bolts, (2) 12mm Lock Washers and (2) 12mm x 24mm Small Flat Washers, (**Figures 7 & 9**). Leave hardware loose. Repeat this **Step** to attach the passenger/right side of the Tray to the inside of the Bumper.
6. Attach the Double Bolt Plate in the driver/left side of the Tray and Bumper to the frame and inner Support Bracket with (2) 12mm x 32mm Large Flat Washers, (2) 12mm Lock Washers and (2) 12mm Hex Nuts,

(Figures 8 & 10). Repeat this **Step** to attach the passenger/right side of the Tray to the frame. Do not tighten hardware.

7. Align the Winch Tray to the Bumper and fully tighten all hardware.
8. Attach the winch and cable guide to the Winch Tray assembly, (winch and cable guide not included). **Models with front license plate**, insert the included License Plate Bracket between the cable guide and the front of the Bumper. Attach License Plate Bracket to the front of the Tray with (2) 10mm x 30mm Button Head Bolts, (4) 10mm x 20mm Small Flat Washers and (2) 10mm Nylon Lock Nuts, **(Figure 11)**. Snap the included (2) Plastic Plugs into the square holes in the Bracket for the license plate.
9. Remove rubber plugs from top of Bumper as necessary for wiring access to Hoop and Winch.
10. Determine if Mesh Fill Panel or bar style LED light will be installed in Hoop, (light not included). **NOTE:** Check for clearance between light and winch.

Attach Mesh Fill Panel to Hoop (Do not install light with Mesh Fill Panel):

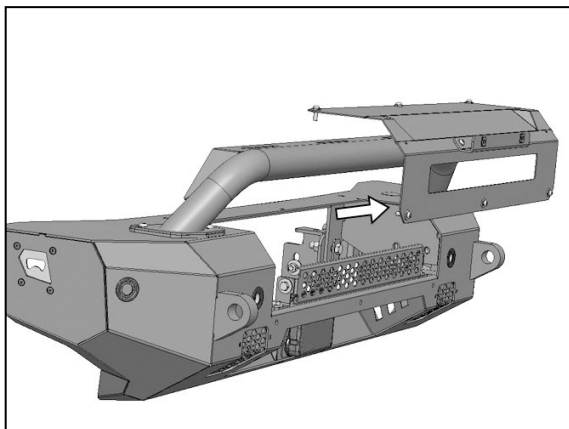
- a. Select the driver/left “L” Bracket. Attach the Bracket to the slot on back of Hoop with the included (1) 8mm x 25mm Hex Bolt, (2) 8mm Flat Washers, (1) 8mm Lock Washer and (1) 8mm Hex Nut, **(Figure 12)**. Repeat this **Step** to install the passenger/right “L” Bracket.
- b. Attach the Mesh Fill Panel to the “L” Brackets with the included (2) 8mm x 25mm Hex Bolts, (4) 8mm Flat Washers, (2) 8mm Lock Washers and (2) 8mm Hex Nuts, **(Figure 13)**. Push the Fill Panel up against the inside of the Hoop and tighten the hardware.

LED Light Installation with Hoop, (LED Light Bar not included):

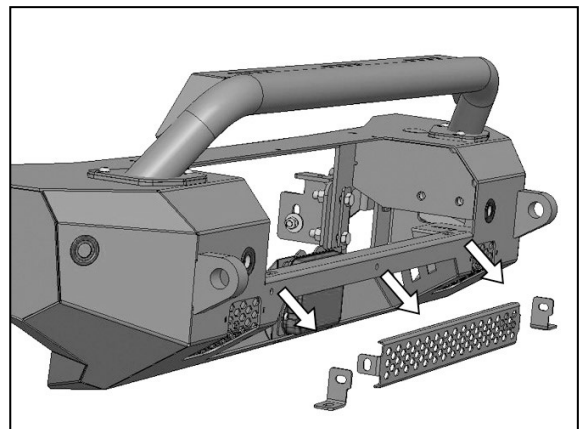
- a. Select the driver/left “L” Bracket. Attach the Bracket to the slot on back of Hoop with the included (1) 8mm x 25mm Hex Bolt, (2) 8mm Flat Washers, (1) 8mm Lock Washer and (1) 8mm Hex Nut, **(Figure 12)**. Repeat this **Step** to install the passenger/right “L” Bracket.
- b. Attach the LED Light Bar to the Brackets with the included (2) 8mm x 16mm Hex Bolts, (2) 8mm Lock Washers and (2) 8mm Flat Washers, **(Figure 14)**.

11. Do periodic inspections to the installation to make sure that all hardware is secure and tight.

To protect your investment: Do not use any type of polish or wax that may contain abrasives that could damage the finish. Mild soap may be used to clean the Bumper.

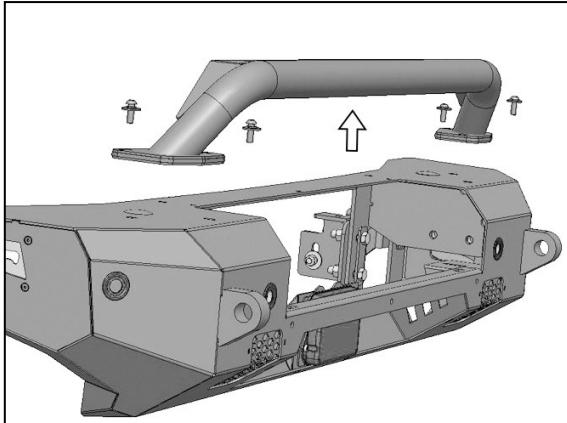


(Fig 1) Remove Cover Plate

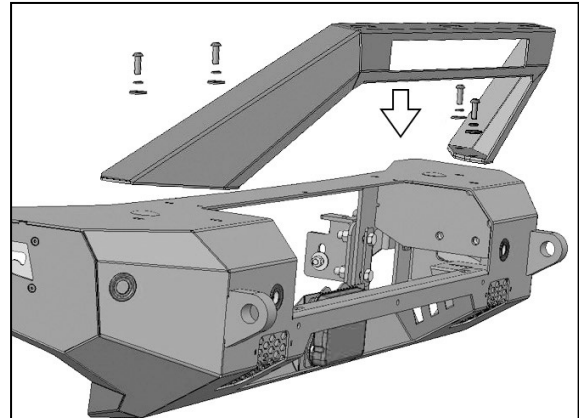


(Fig 2) Remove Cover Plate Fill Panel and “L” Brackets if installed

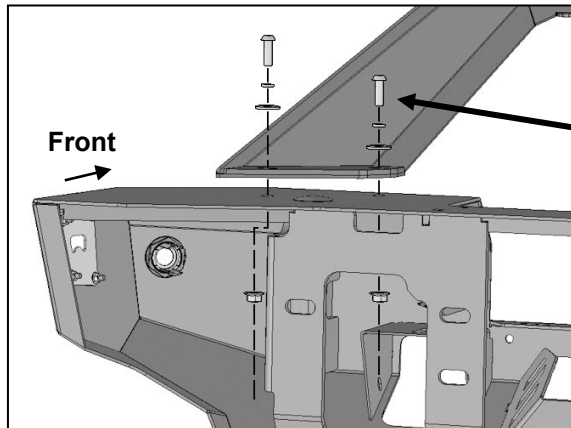
Driver/left Side Installation Pictured



(Fig 3) Remove Bull Nose Hoop if installed



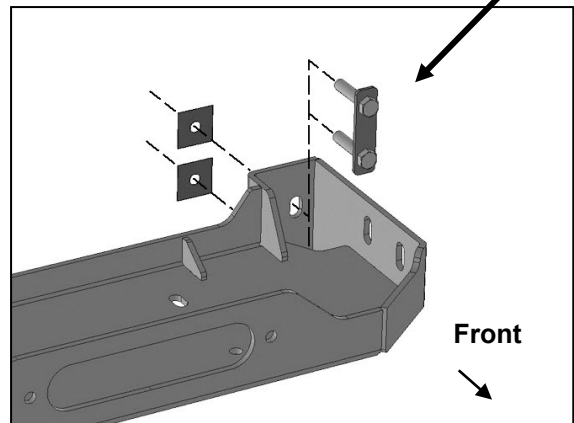
(Fig 4) Attach HD Bull Nose Hoop to top of Bumper (installation optional)



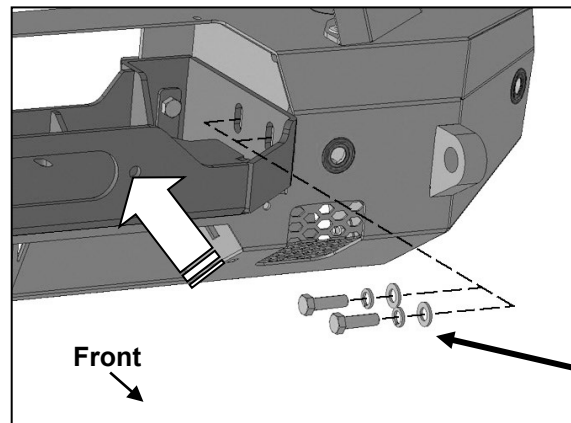
(Fig 5) Attach HD Bull Nose Hoop to top of Bumper (rear view of driver/left side)

- (2) 8mm x 25mm Button Head Bolts
- (2) 8mm Lock Washers
- (2) 8mm Flat Washers
- (2) 8mm Flange Nuts

- 12mm Double Bolt Plate
- (2) 12mm Plastic Retainers



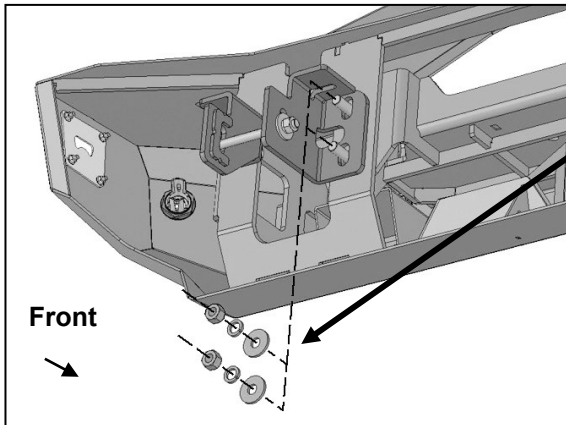
(Fig 6) Insert (1) 12mm Double Bolt Plate into corner of Winch Tray and out through slots. Thread (2) Plastic Retainers onto Bolt Plate (Retainer use is optional)



(Fig 7) Slide Winch Tray into top of Bumper. Guide Double Bolt Plates in back of Tray through frame and Inner Support Brackets. Attach side of Tray to inside of Bumper

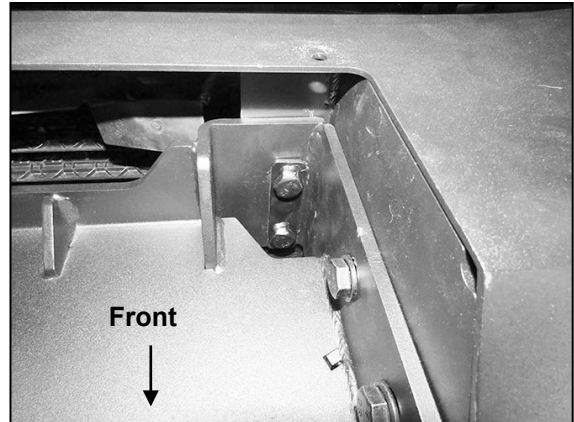
- (2) 12mm x 40mm Hex Bolts
- (2) 12mm Lock Washers
- (2) 12mm x 24mm Small Flat Washers

Driver/left Side Installation Pictured

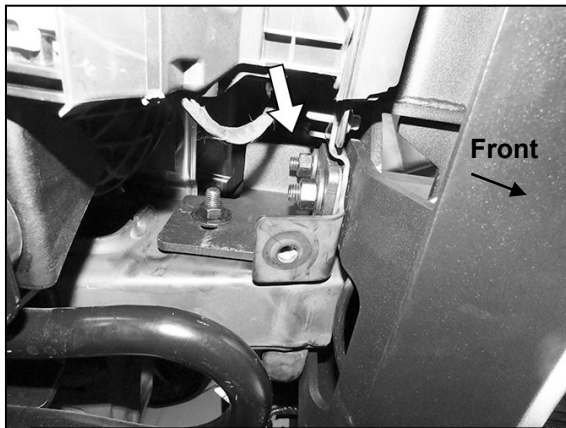


- (2) 12mm Large Flat Washers
- (2) 12mm Lock Washers
- (2) 12mm Hex Nuts

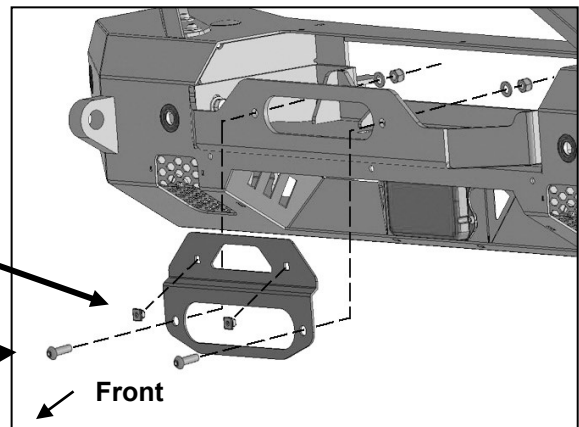
(Fig 8) Attach driver/left side of Bumper to end of frame and Support Bracket



(Fig 9) Driver/left side of Winch Tray attached to Bumper and Bumper attached to frame and Support Bracket



(Fig 10) Driver/left side of Bumper attached to frame and Inner Support Bracket (pictured from below Bumper)



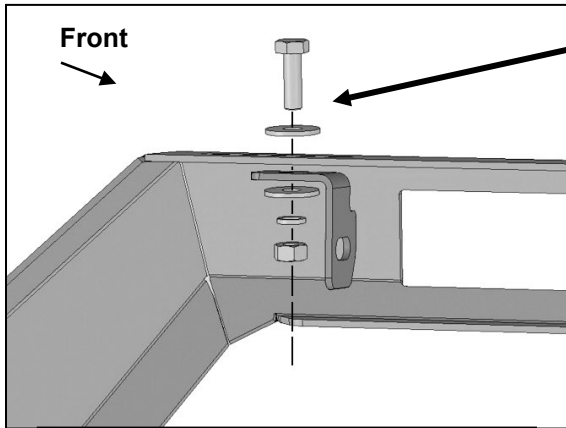
- (2) Plastic Plugs

- (2) 10mm x 30mm Button Head Bolts
- (2) 10mm x 20mm Small Flat Washers
- (2) 10mm Nylon Lock Nuts

(Fig 11) Insert License Plate Bracket between cable guide (not included) and front of Bumper if required

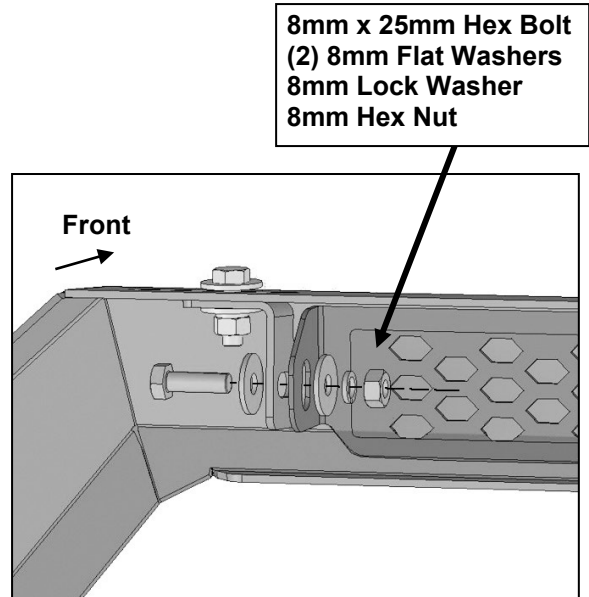
HD WINCH CONVERSION KIT – SKU # FB28233
2021-2023+ BRONCO – WITH HD STUBBY FRONT BUMPER (FB14615/FB14616)

Driver/left Side Installation Pictured



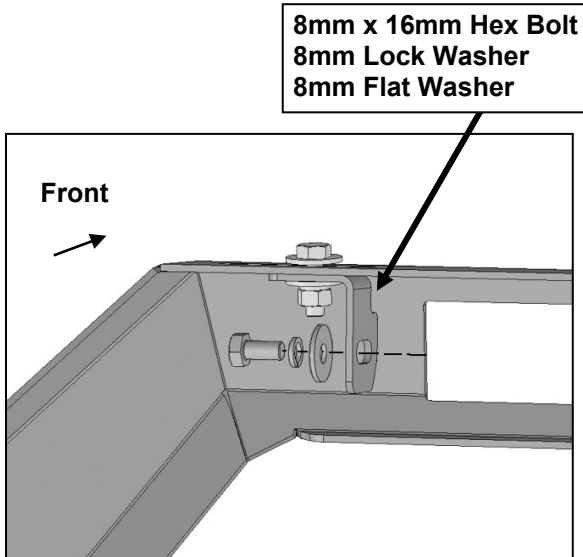
8mm x 25mm Hex Bolt
(2) 8mm Flat Washers
8mm Lock Washer
8mm Hex Nut

(Fig 12) Attach driver/left "L" Bracket to inside of Bumper Hoop



8mm x 25mm Hex Bolt
(2) 8mm Flat Washers
8mm Lock Washer
8mm Hex Nut

(Fig 13) Attach Mesh Fill Panel to "L" Bracket on inside of Hoop



8mm x 16mm Hex Bolt
8mm Lock Washer
8mm Flat Washer

(Fig 14) Attach LED to "L" Brackets on inside of Hoop (light not included)



Complete Installation (light and winch not included)