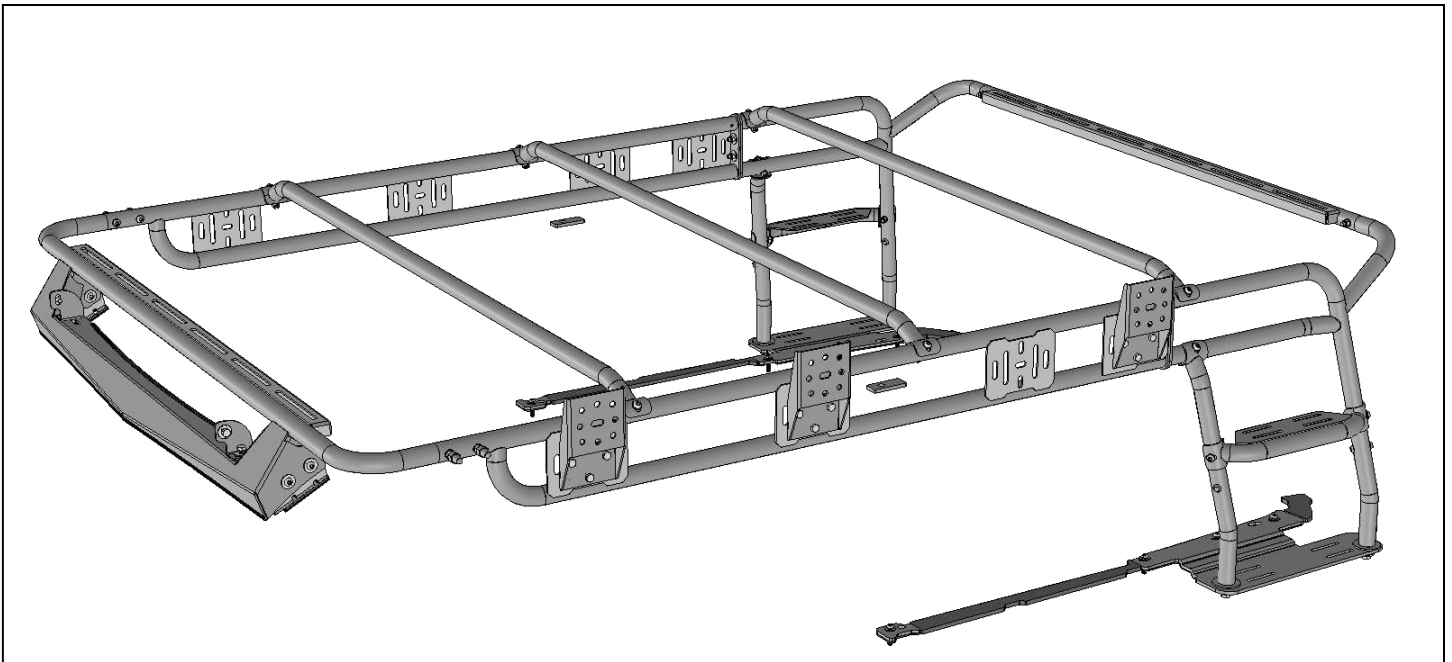


BARRICADE

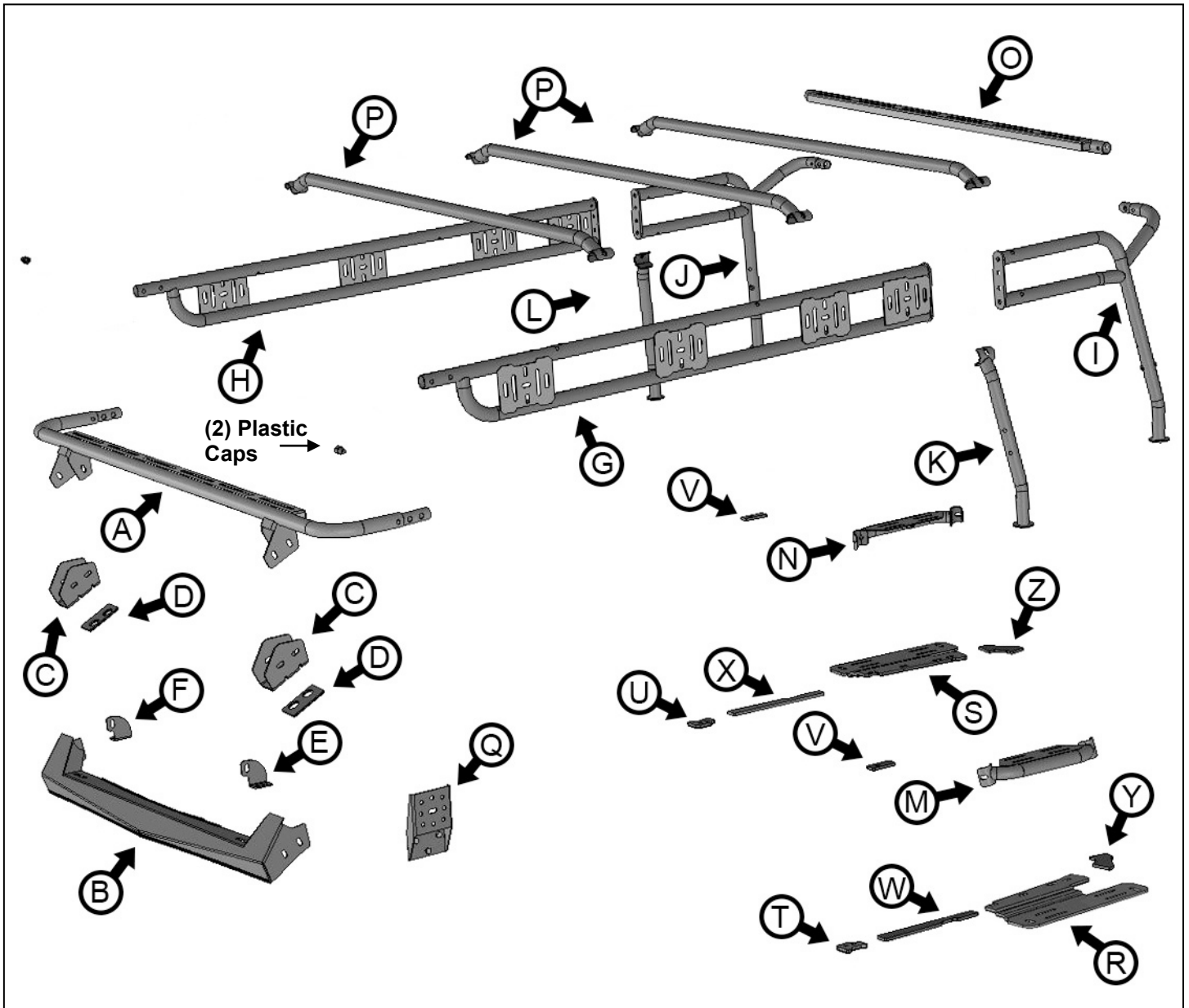
CR-1 ROOF RACK – SKU # FB28232
2021-2023 BRONCO 2-DOOR HARDTOP ONLY
(EXCLUDES AFTERMARKET SOFT TOP)

PARTS LIST:

1	Front Crossbar Tube	(A)	1	Driver/left Side Foam Body Seal	(W)
1	Front Wind Fairing LED Surround	(B)	1	Passenger/right Side Foam Body Seal	(X)
2	Wind Fairing Mounting Brackets	(C)	1	Driver/left Rear Foam Body Seal	(Y)
2	Wind Fairing Bracket Shims	(D)	1	Passenger/right Rear Foam Body Seal	(Z)
1	Driver/left LED "L" Bracket	(E)	8	Hole Plugs	
1	Passenger/right LED "L" Bracket	(F)	4	10-1.50mm x 30mm Hex Bolts	
1	Driver/left Side Rail	(G)	4	10mm x 30mm x 2.5mm Flat washers	
1	Passenger/right Side Rail	(H)	4	10mm Lock Washer	
1	Driver/left Rear Corner Tube Assembly	(I)	2	8-1.25 x 25mm Combo Hex Bolts	
1	Passenger/right Rear Corner Tube Assembly	(J)	8	8-1.25 x 35mm Torx Button Head Bolts	
1	Driver/left Ladder Support Tube	(K)	18	8-1.25mm x 50mm Button Head Bolts	
1	Passenger/right Ladder Support Tube	(L)	10	8-1.25mm x 30mm Button Head Bolts	
1	Driver/left Ladder Step	(M)	2	8-1.25 x 16mm Hex Bolts	
1	Passenger/right Ladder Step	(N)	33	8mm x 24mm x 2mm Large Flat Washers	
1	Rear Crossbar Tube	(O)	8	8mm x 20mm x 2mm STD Flat Washers	
3	Crossbars	(P)	36	8mm x 16mm x 1.6mm Small Flat Washers	
3	Offset Accessory Mounting Brackets	(Q)	10	8mm Lock Washers	
1	Driver/left Rear Body Mounting Bracket	(R)	2	8mm Flange Hex Nuts	
1	Passenger/right Rear Body Mounting Bracket	(S)	37	8mm Nylon Lock Nuts	
1	Driver/Left Front Top Spacers	(T)	4	8mm Plastic Nut Caps	
1	Passenger/Right Front Top Spacers	(U)	4	6-1.0mm Flange Nuts	
2	Upper Top Spacers	(V)	1	T-40 Torx Wrench	
			1	5mm Wrench	



CR-1 ROOF RACK – SKU # FB28232
 2021-2023 BRONCO 2-DOOR HARDTOP ONLY
 (EXCLUDES AFTERMARKET SOFT TOP)



PROCEDURE:

REMOVE CONTENTS FROM BOX. VERIFY ALL PARTS ARE PRESENT. READ INSTRUCTIONS CAREFULLY. ASSISTANCE IS REQUIRED.

1. Temporarily remove Freedom Top.
2. Determine if the vehicle is equipped with a factory accessory roof rack.

Models with roof rack

- a. Remove cover from top of roof rack mount, **(Figure 1)**.
- b. Remove tube nuts attaching end of roof rack, **(Figure 2)**. Repeat to remove remaining roof rack hardware and with assistance, remove entire roof rack rails.

Models without roof rack.

- a. Remove the plastic cover over the accessory mounting location, **(Figure 3)**.
- b. Remove the inner bracket, **(Figure 4)**. Repeat **Steps** to remove the passenger/right cover and bracket.

**CR-1 ROOF RACK – SKU # FB28232
2021-2023 BRONCO 2-DOOR HARDTOP ONLY
(EXCLUDES AFTERMARKET SOFT TOP)**

3. Select (1) Wind Fairing Bracket Shim, **(Figure 5)**, and (1) Wind Fairing Bracket, **(Figure 6)**. Slide the Shim and the Bracket over the driver/left side mounting studs. Reuse the factory 6mm Flange Nuts or the (2) included 6mm Flange Nuts to attach the Shim and Bracket to the accessory mount studs, **(Figure 7)**. Do not fully tighten hardware at this time. Repeat this Step to attach the passenger/right side Shim and Mounting Bracket.
4. Select the Front Crossbar. Attach the inner mounting plate on the Crossbar to the driver/left Bracket with the included (1) 8mm x 30mm Button Head Bolt, (2) 8mm x 24mm Large Flat Washers and (1) 8mm Nylon Lock Nut, **(Figure 8 & 9)**. Snug but do not fully tighten hardware at this time. Repeat this **Step** to attach the passenger/right side of the Crossbar to the Bracket.
5. Determine if Front Wind Fairing and LED bar style light (light not included), will be installed.

Light installation on Fairing.

- a. Attach the driver/left and passenger/right LED “L” Brackets to the slots in the Wind Fairing first with the included (2) 8mm Combo Bolts and (2) 8mm Flange Nuts, **(Figure 10)**.
- b. Attach light to the “L” Brackets before installing Wind Fairing.

Wind Fairing installation.

- a. Attach the Wind Fairing to the outside of the Crossbar Mounting Brackets with the included (4) 8mm x 30mm Button Head Bolts, (8) 8mm x 24mm Large Flat Washers and (4) 8mm Nylon Lock Nuts, **(Figure 11)**. Do not fully tighten hardware at this time.

Wind Fairing will not be installed,

- a. Attach the outer tabs on the Crossbar to the Brackets with the included (4) 8mm x 30mm Button Head Bolts, (8) 8mm x 24mm Large Flat Washers and (4) 8mm Nylon Lock Nuts, **(Figure 12)**. Do not fully tighten hardware at this time.

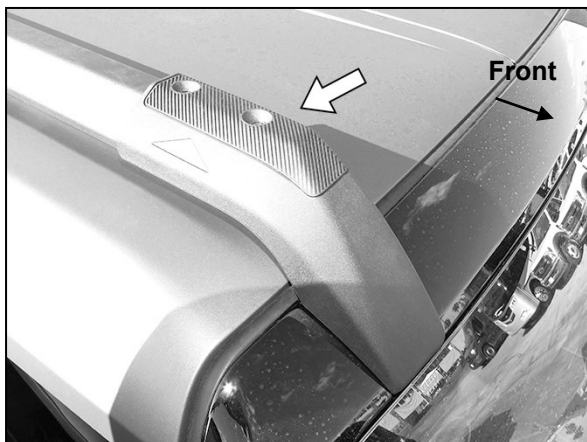
6. Remove hardware attaching hard top to inner roll bar and along the sides to the body, (refer to owner’s manual). With assistance, remove hard top assembly. **NOTE:** Remove hard top or lift top up high enough and support hard top to install Seals, Spacers and Mounting Brackets.
7. Select the lower driver/left front Top Spacer, **(Figure 13)**. Place Spacer over threaded hole in body and hole for alignment pin, **(Figure 14)**.
8. Select the driver/left Mounting Bracket. Hold the Bracket in place over the threaded holes for the top hardware. Next, select the adhesive backed driver/left Top Side Seal, **(Figure 13)**. Remove the backing and attach the Top Seal to the body between the front Spacer and the Mounting Bracket, **(Figure 14)**. Do not attach Bracket at this time.
9. Attach the adhesive backed driver/left Rear Top Seal to the top of the body, between the Mounting Bracket and the rear door opening, **(Figures 15 & 16)**.
10. Repeat the previous Steps to attach the passenger/right front Spacer, Side and Rear Top Seal.
11. Place the top assembly back in position on the vehicle but do not attach.
12. With assistance, lift the driver/left side of the top up and insert the driver/left Mounting Bracket between the top and the body. Use the included (4) 8mm x 35mm Button Head Torx Bolts, (4) 8mm Lock Washers and (4) 8mm x 20mm STD Flat Washers to attach the top to the Bracket and Front Spacer, **(Figure 17 & 18)**. Leave hardware loose. Repeat to attach the passenger/right Bracket and Spacer to the body and top.
13. Next, insert (1) Top Spacer between the top bracket on the top and the inner roll bar, **(Figure 19)**. Reuse the factory bolt to attach the bracket and Spacer to the roll bar, **(Figures 20 & 21)**. Repeat this **Step** to insert (1) Spacer on the passenger/right side of the top.
14. Align the top to the vehicle. Tighten the (2) top mounting bolts first, then tighten the bottom mounting bolts.
15. Reinstall the freedom tops. **NOTE:** If latches are too difficult to close, loosen the screw attaching the latch approximately 2-3 turns, **(Figure 22)**.
16. Select the driver/left Rear Corner Tube Assembly and driver/left Support Leg. Attach the Support Leg to the Corner Assembly with (1) 8mm x 50mm Button Head Bolt, (2) 8mm x 16mm Small Flat Washers and (1) 8mm Nylon Lock Nut, **(Figure 23)**.
17. Next, attach the driver/left Corner Step to the two tubes with the included (2) 8mm x 50mm Button Head Bolts, (4) 8mm x 16mm Small Flat Washers and (2) 8mm Nylon Lock Nuts, **(Figure 24)**. **NOTE:** There

**CR-1 ROOF RACK – SKU # FB28232
2021-2023 BRONCO 2-DOOR HARDTOP ONLY
(EXCLUDES AFTERMARKET SOFT TOP)**

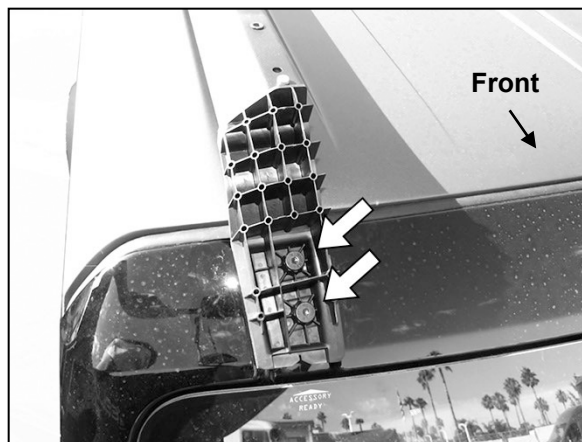
are (2) sets of mounting holes to choose from for the Step, use the included (4) Plugs to seal off unused mounting holes.

18. Repeat **Steps 16 & 17** to assemble the passenger/right Corner Assembly and Step.
19. Attach the Rear Crossbar Tube to the driver/left and passenger/right Rear Corner Assemblies with (2) 8mm x 50mm Button Head Bolts, (4) 8mm x 16mm Small Flat Washers and (2) 8mm Nylon Lock Nuts, **(Figure 25)**. Attach (1) load Crossbar to the mounting holes in the top of the Corner Assemblies with (2) 8mm x 50mm Button Head Bolts, (4) 8mm x 16mm Small Flat Washers and (2) 8mm Nylon Lock Nuts, **(Figure 25)**.
20. With assistance, carefully lift the rear Corner Assembly up and onto the rear Brackets. Do not slide the ends of the tubes on the Brackets to prevent damaging the finish. Attach the Rear Corner Assembly to the driver/left rear Bracket with the included (2) 10mm x 30mm Hex Bolts, (2) 10mm Lock Washers and (2) 10mm Flat Washers, **(Figure 26)**. Leave hardware loose at this time. Repeat this Step to attach the passenger/right side of the assembly.
21. Select the driver/left Side Rail. Attach the front of the Side Rail to the Front Loop with the included (2) 8mm x 50mm Button Head Bolts, (4) 8mm x 16mm Small Flat Washers and (2) 8mm Nylon Lock Nuts, **(Figure 27)**. **NOTE:** To clear the freedom top or soft top, insert Bolts from inside to outside. After Bolts has been fully tightened, cover Lock Nuts on end of Bolts with included Plastic Caps. Attach the rear of the Side Rail to the front of the Rear Corner Assembly with (2) 8mm x 30mm Button Head Bolts, (4) 8mm x 24mm Large Flat Washers and (2) 8mm Nylon Lock Nuts, **(Figure 28)**. Repeat this **Step** to attach the passenger/right Side Rail to the Front Loop and Rear Corner Assembly.
22. Select the (2) remaining Crossbars. Locate the mounting locations on the Side Rails for the crossbars. Attach each Crossbar to the top of the Side Rails with (2) 8mm x 50mm Button Head Bolts, (4) 8mm x 16mm Small Flat Washers and (2) 8mm Nylon Lock Nuts, **(Figure 29)**. Use the included Plugs to seal off unused mounting holes.
23. Check the Roof Rack for alignment, adjust as necessary and fully tighten all hardware.
24. Attach each Offset Accessory Mount to the Top Rail as desired with the included (3) 8mm x 24mm Flat Washers and (3) 8mm Nylon Lock Nuts, **(Figure 30)**.
25. Do periodic inspections to the installation to make sure that all hardware is secure and tight.

To protect your investment: Do not use any type of polish or wax that may contain abrasives that could damage the finish. Mild soap may be used to clean the Roof Rack.



(Fig 1) Models with factory roof rails, remove cover to access mounting screws

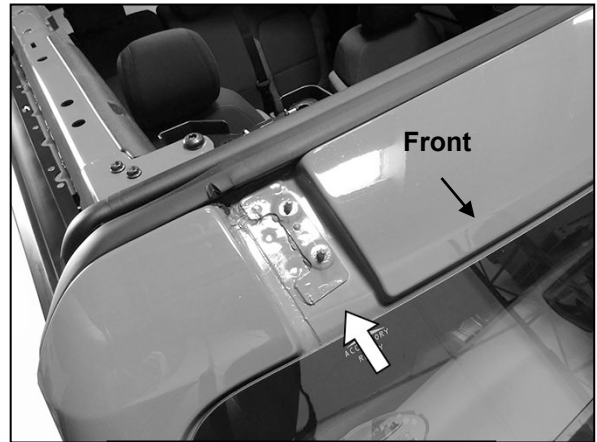


(Fig 2) Remove mounting hardware (arrows)

**CR-1 ROOF RACK – SKU # FB28232
2021-2023 BRONCO 2-DOOR HARDTOP ONLY
(EXCLUDES AFTERMARKET SOFT TOP)**



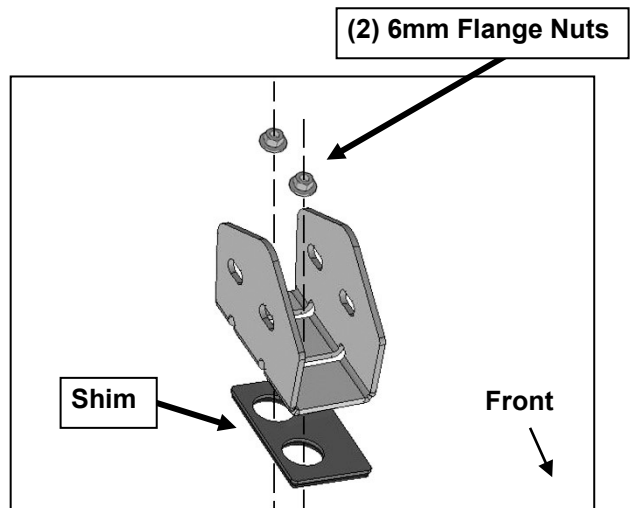
(Fig 3) Models without factory roof rails, remove cover and inner clip



(Fig 4) Passenger/right front mounting location (arrow)

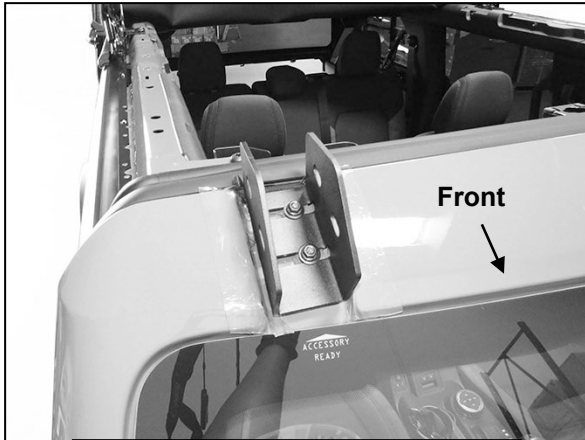


(Fig 5) Place Bracket Shim over threaded studs



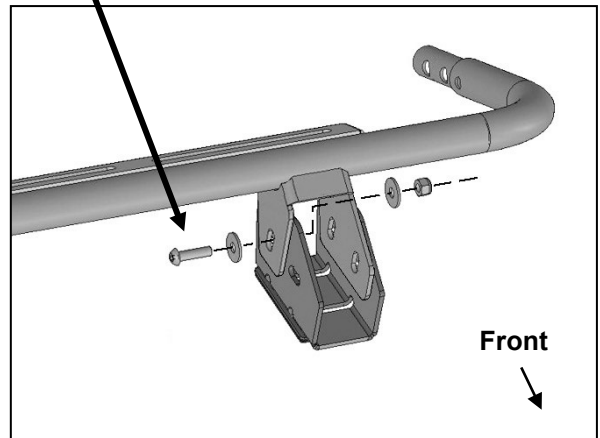
(Fig 6) Attach front crossbar Mounting Bracket to Shim and threaded studs. Driver/left side illustrated

**CR-1 ROOF RACK – SKU # FB28232
2021-2023 BRONCO 2-DOOR HARDTOP ONLY
(EXCLUDES AFTERMARKET SOFT TOP)**

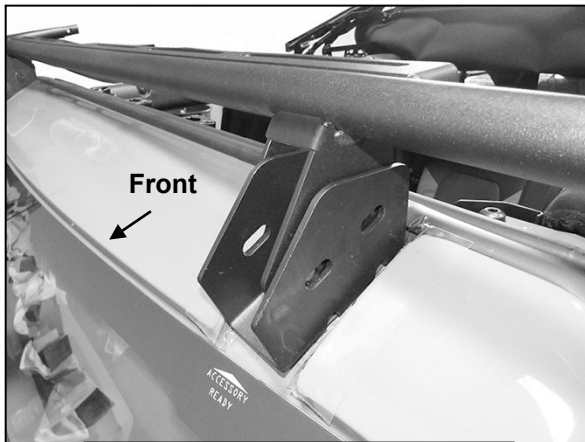


(Fig 7) Passenger/right side front Mounting Bracket installed

**8mm x 30mm Button Head Bolt
(2) 8mm x 24mm Large Flat Washers
8mm Nylon Lock Nut**



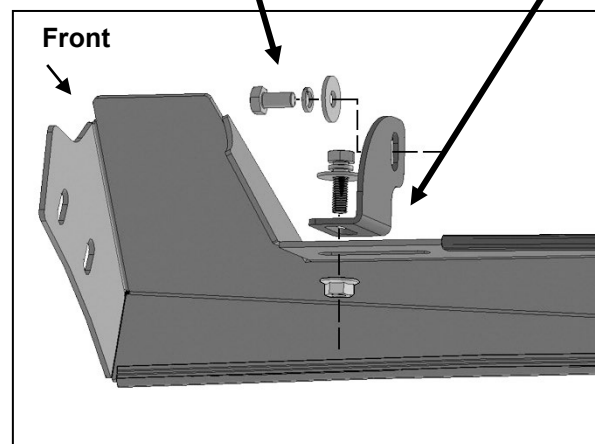
(Fig 8) Attach front Crossbar to inside of Mounting Bracket (driver/left side illustrated)



(Fig 9) Front Crossbar installed

**8mm x 16mm Hex Bolt
8mm Lock Washer
8mm x 24mm Large Flat Washer**

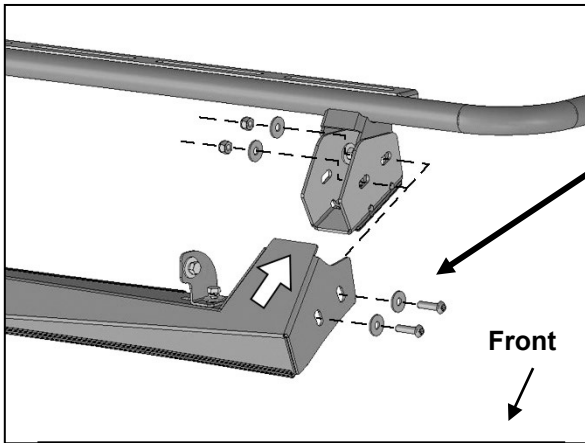
**8mm Combo Bolt
8mm Flange Nut**



(Fig 10) Attach "L" Light Bracket to Wind Fairing (driver/left side illustrated)

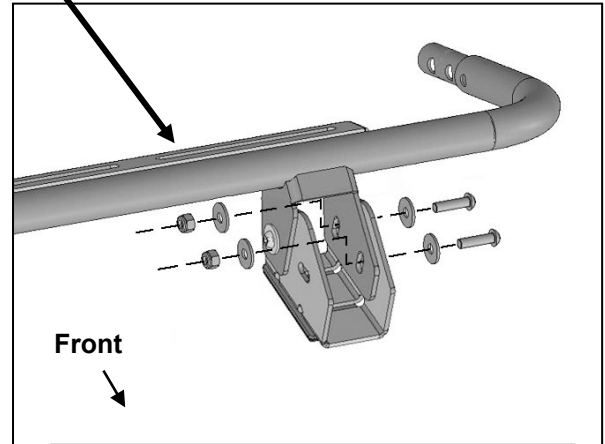
**CR-1 ROOF RACK – SKU # FB28232
2021-2023 BRONCO 2-DOOR HARDTOP ONLY
(EXCLUDES AFTERMARKET SOFT TOP)**

Driver/left Side Installation Pictured

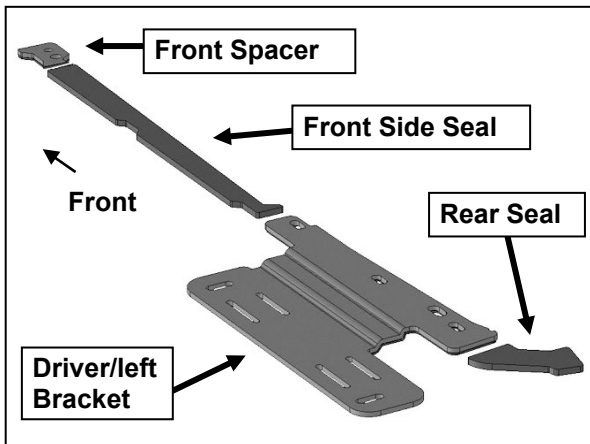


(Fig 11) Attach Wind Fairing to outside of Mounting Brackets

- (2) 8mm x 30mm Button Head Bolts
- (4) 8mm x 24mm Large Flat Washers
- (2) 8mm Nylon Lock Nuts



(Fig 12) If Wind Fairing will not be installed, attach the front Crossbar directly to outside of Mounting Bracket



(Fig 13) Remove hardware attaching roof. Temporarily remove or lift roof high enough to install driver/left Bracket. Place Front Spacer over front threaded mounting hole (see Fig 15). With Bracket and Spacer in place, apply adhesive backed Foam Side Seal and Rear Seal to top of body



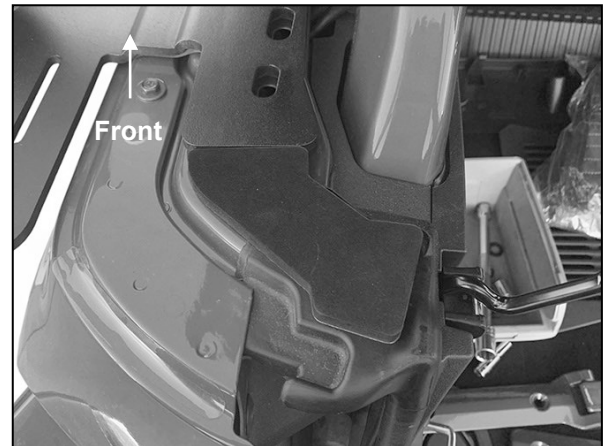
(Fig 14) Remove backing and apply driver/left adhesive backed Foam Side Seal to top of body (arrows)

**CR-1 ROOF RACK – SKU # FB28232
2021-2023 BRONCO 2-DOOR HARDTOP ONLY
(EXCLUDES AFTERMARKET SOFT TOP)**

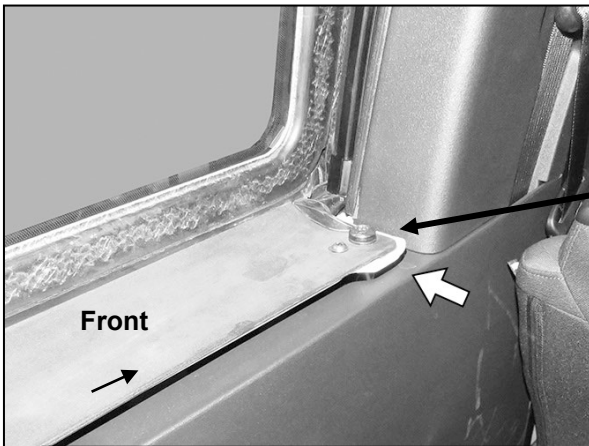
Driver/left Side Installation Pictured



(Fig 15) Apply adhesive backed Foam Rear Seal to top of body



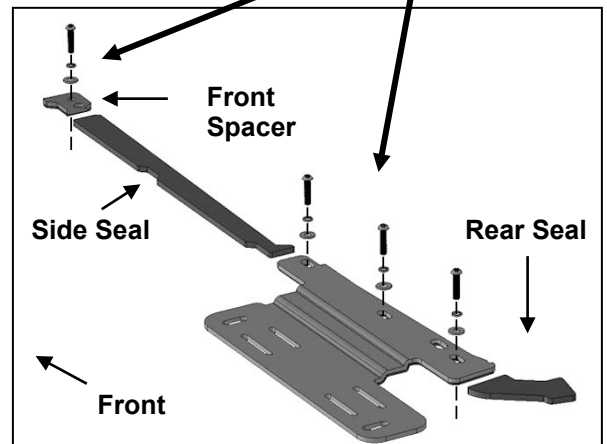
(Fig 16) With Front Spacer, Seals and Bracket in place, reinstall top (driver/left side pictured)



(Fig 17) Driver/left Front Spacer in place between top and body (arrow)

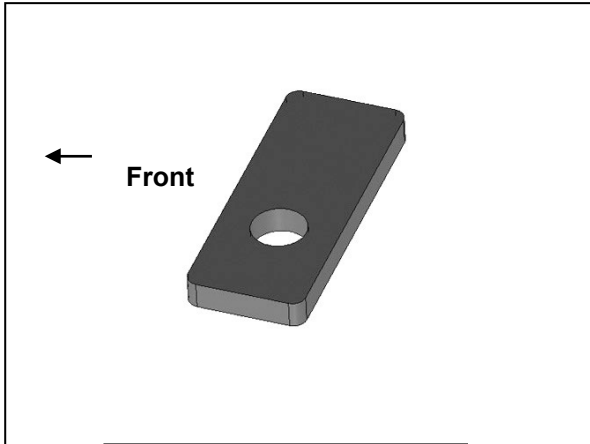
**8mm x 35mm Button Head TORX Bolt
8mm Lock Washer
8mm x 20mm STD Flat Washers**

**(4) 8mm x 35mm Button Head TORX Bolts
(4) 8mm Lock Washers
(4) 8mm x 20mm STD Flat Washers**

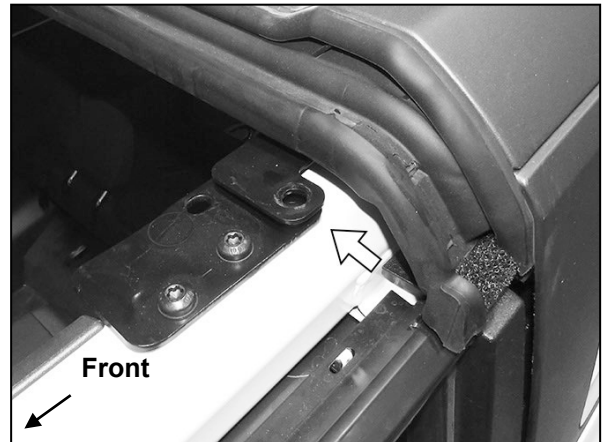


(Fig 18) Reinstall roof with Bracket between roof and body.

Driver/left Side Installation Pictured



(Fig 19) Top Roof Spacer



(Fig 20) Insert Top Roof Spacer between top bracket (arrow) and inner roll bar (driver/left side pictured)

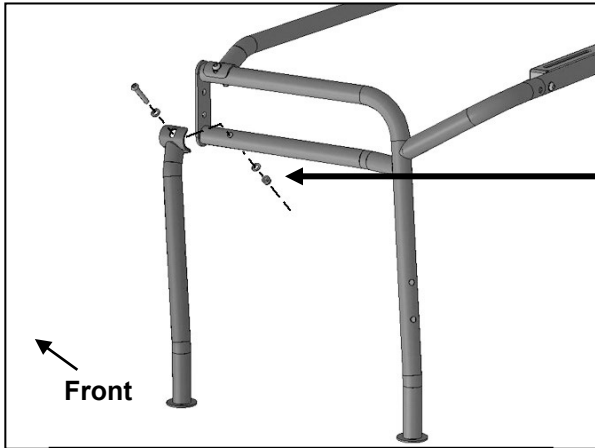


(Fig 21) Top Roof Spacer installed between top bracket (arrow) and inner roll bar (driver/left side pictured)



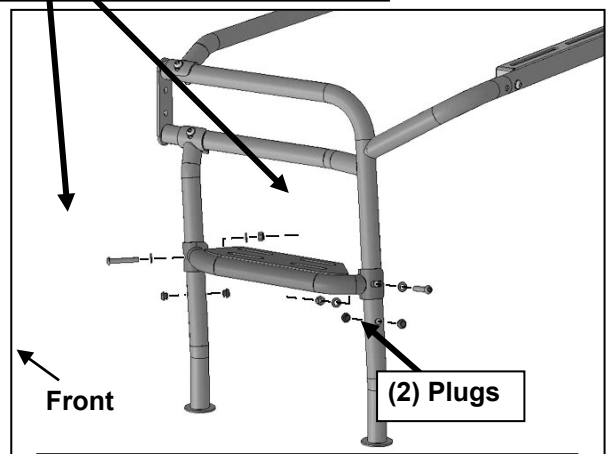
(Fig 22) If necessary, loosen screw 2-3 turns to adjust and fasten latch (arrow)

**CR-1 ROOF RACK – SKU # FB28232
2021-2023 BRONCO 2-DOOR HARDTOP ONLY
(EXCLUDES AFTERMARKET SOFT TOP)**



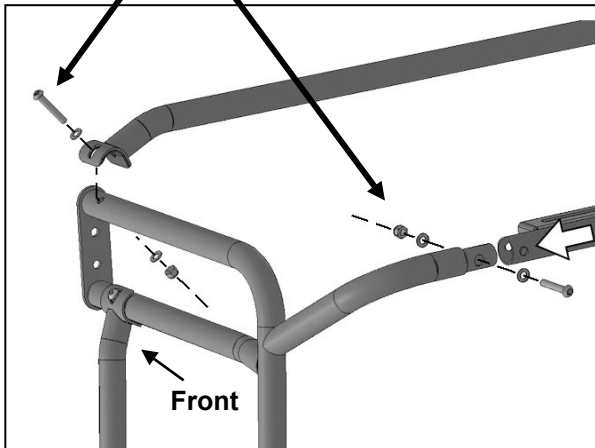
(Fig 23) Attach driver/left Support Leg to Corner Tube Assembly

**8mm x 50mm Button Head Bolt
(2) 8mm x 16mm Small Flat Washers
8mm Nylon Lock Nut**



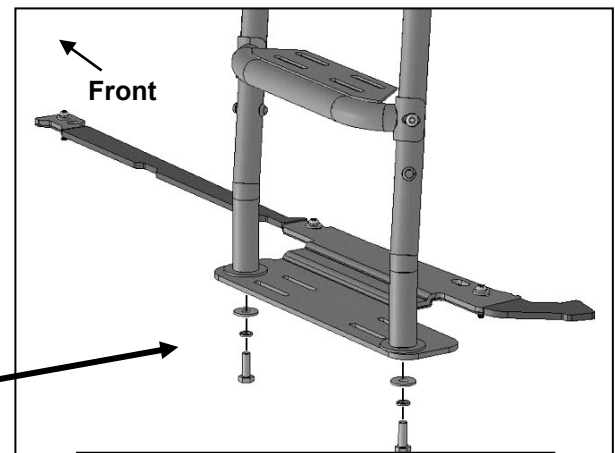
(Fig 24) Attach driver/left Ladder Step to either set of holes in Support Leg and Corner Tube Assembly

**(2) 8mm x 50mm Button Head Bolts
(4) 8mm x 16mm Small Flat Washers
(2) 8mm Nylon Lock Nuts**



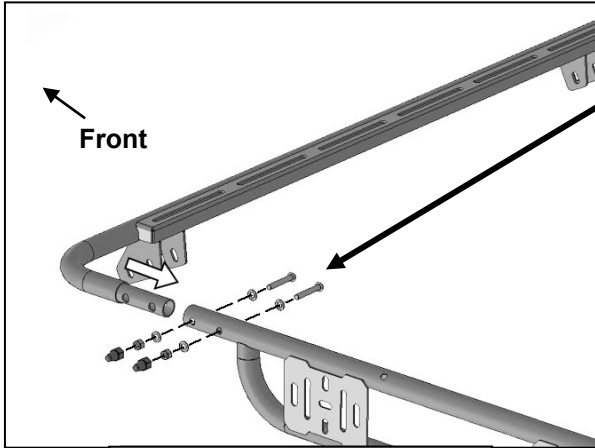
(Fig 25) Attach rear Cross Bar Tube and (1) Crossbar to Corner Assembly. Place rear assembly onto Mounting Brackets

**(2) 10mm x 30mm Hex Bolts
(2) 10mm Lock Washers
(2) 10mm Flat Washers**



(Fig 26) Attach rear Rack Assembly to Mounting Brackets

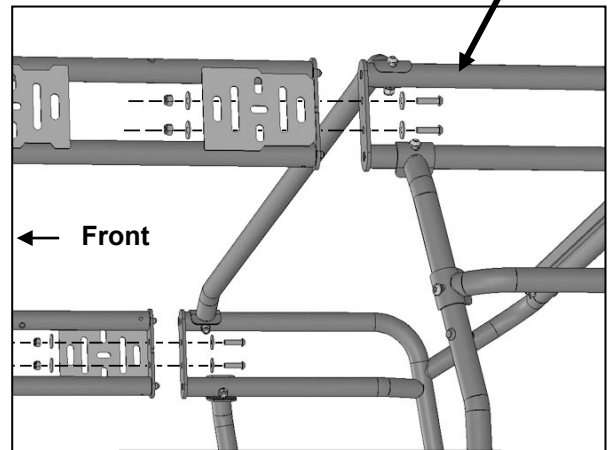
**CR-1 ROOF RACK – SKU # FB28232
2021-2023 BRONCO 2-DOOR HARDTOP ONLY
(EXCLUDES AFTERMARKET SOFT TOP)**



- (2) 8mm x 50mm Button Head Bolts
- (4) 8mm x 16mm Small Flat Washers
- (2) 8mm Nylon Lock Nuts
- (2) Plastic Caps

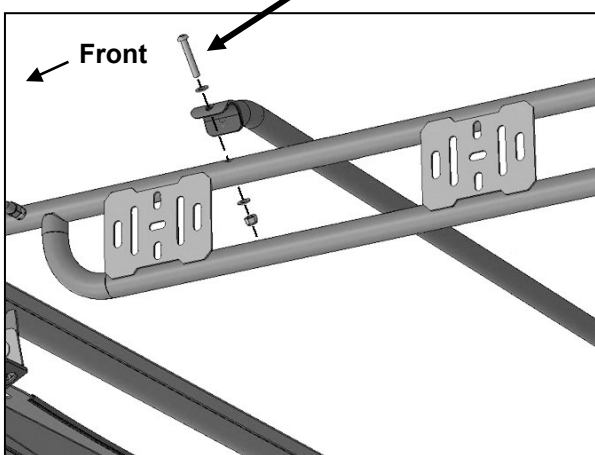
(Fig 27) Attach Side Rails to Front Crossbar Assembly

- (2) 8mm x 30mm Button Head Bolts
- (4) 8mm x 24mm Large Flat Washers
- (2) 8mm Nylon Lock Nuts



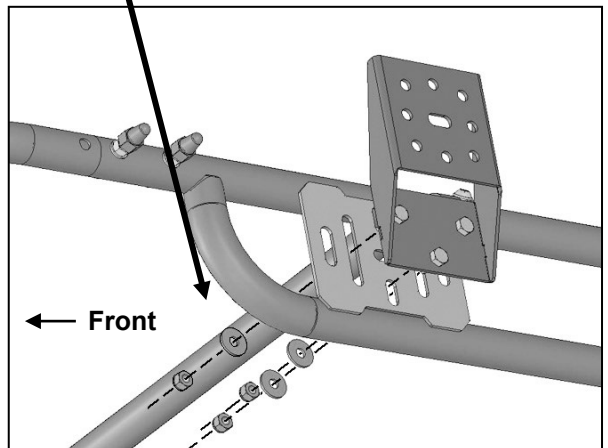
(Fig 28) Attach Side Rails to rear Rack Assembly

- (2) 8mm x 50mm Button Head Bolts
- (4) 8mm x 16mm Small Flat Washers
- (2) 8mm Nylon Lock Nuts
- or
- (2) Plugs



(Fig 29) Attach remaining Cross Bars to desired mounting holes in Side Rails. Use the included Plugs to seal off any unused mounting holes, (driver/left side illustrated from below)

- (3) 8mm Flat Washers
- (3) 8mm Nylon Lock Nuts



(Fig 30) Attach the Offset Accessory Mounts to the Side Rails as desired (driver/left side illustrated)