



# Installation Instructions Bronco® Skyrider

Vehicle Application:  
Ford Bronco 4 Door 2021-Current  
Part Number 52462

## Installation Tips

Before you begin installing your new Sunrider for Hardtop, please read all the instructions thoroughly, and watch the Bestop Installation video. (See Support section on this page).

For easier installation, the top should vbe installed at a temperature above 72° F. Below this temprature, the fabric may contract making it difficult to fit the vehicle.w

**WARNING** Do not rely in any way on the components of this product to protect against injury or death in the event of an accident. Never operate the vehicle in excess of manufacturer’s specifications.

Read and follow, precisely, all installation instructions provided when installing this product. Failure to do so may result in a poor fit and could place occupants of the vehicle in a potentially dangerous situation.



## Notes

\*We suggest using two people to help lift the top onto the vehicle.

**CAUTION** Safety glasses should be worn at all times when installing this product.

**WEAR SEAT BELTS AT ALL TIMES**

## Tools



Safety Glasses



T30, T40 and T50 Torx Drivers

## Installation Time



2.5 Hours

## Skill Level



3 - Moderately Difficult

## Support

We’re here to help! Go to:  
<https://www.bestop.com>  
and click on Need Help?



<https://www.bestop.com/video-library>



## Installation Instructions Bronco® Skyrider

Vehicle Application:  
Ford Bronco 4 Door 2021-Current  
Part Number 52462

### Sugerencias de Instalación

**Antes de empezar a instalar esta unidad, lea atentamente todas las instrucciones.**

**Para un buen ajuste:**

Para facilitar la instalación, el producto debe instalarse a temperaturas superiores a 72 °F (22 °C).

Por debajo de esta temperatura, la tela puede encogerse una pulgada o más, lo que dificultaría su ajuste al vehículo.

Es normal que la tela se contraiga o arrugue cuando está guardada en la caja de empaque. A los pocos días después de la instalación, la tela se relajará y las arrugas desaparecerán.



#### ADVERTENCIA

Este producto se diseñó principalmente para mejorar la apariencia del vehículo y proteger a los ocupantes de las condiciones climáticas comunes. De ninguna manera piense que los componentes de este producto pueden servir como medio de contención para los ocupantes del vehículo o que pueden protegerlos contra lesiones o la muerte en caso de accidente. Este producto no protegerá a los ocupantes contra caídas de objetos. Nunca conduzca este vehículo fuera de las especificaciones del fabricante.

#### USE LOS CINTURONES DE SEGURIDAD EN TODO MOMENTO

Lea y siga con precisión todas las instrucciones de instalación que se proporcionan para instalar este producto. Si no lo hace, podría producirse un mal ajuste que colocaría a los ocupantes del vehículo en una situación potencialmente peligrosa.



#### PRECAUCIÓN

Debe usar gafas protectoras en todo momento durante la instalación de este producto.

### Conseils pour l'installation

**Lire toutes les instructions au complet avant de commencer l'installation de cet assemblage.**

**Pour un ajustement sans problème :**

Afin de faciliter l'installation, ce produit doit être installé à des températures au-dessus de 72 °F (22 °C).

Sous cette température, le tissu peut rétrécir d'un pouce (2,5 cm) ou plus, ce qui rendra l'ajustement sur le véhicule difficile.

Il est normal que le tissu rétrécisse et plisse pendant qu'il est dans la boîte d'expédition. En quelques jours après l'installation, le tissu se détendra et les plis disparaîtront.



#### AVERTISSEMENT

Ce produit est conçu principalement pour améliorer l'apparence du véhicule et pour protéger les occupants des conditions météorologiques usuelles. Ne jamais se fier aux composants de ce produit pour se protéger de blessures ou de la mort en cas d'accident. Ce produit ne protégera pas les occupants des chutes d'objets. Ne jamais utiliser le véhicule au-delà des caractéristiques techniques indiquées par le fabricant.

#### PORTER UNE CEINTURE DE SÉCURITÉ EN TOUT TEMPS

Lire et suivre, très fidèlement, toutes les instructions d'installation fournies lors de l'installation de ce produit. Ne pas suivre cette consigne peut causer une installation inadéquate et mettre les occupants du véhicule dans une situation potentiellement dangereuse.



#### MISE EN GARDE

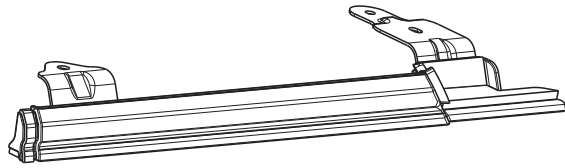
Des lunettes de sécurité doivent être portées en tout temps lors de l'installation de ce produit.



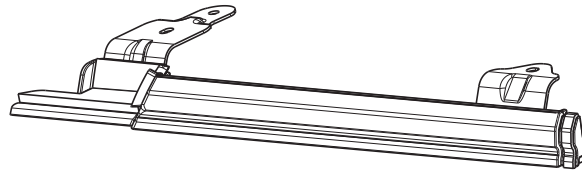
# Installation Instructions Bronco® Skyrider

Vehicle Application:  
Ford Bronco 4 Door 2021-current  
Part Number 52462

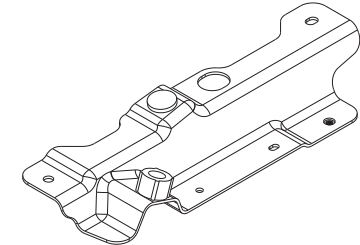
## Parts List



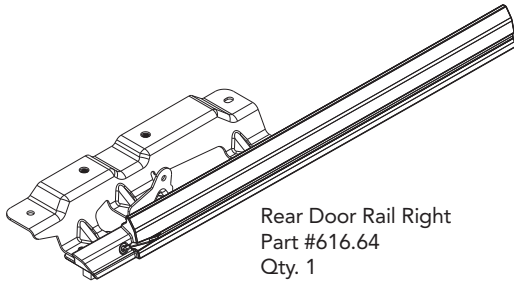
Front Door Rail Right  
Part #620.00  
Qty. 1



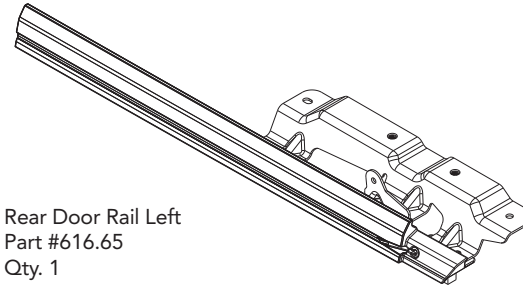
Front Door Rail Left  
Part #620.01  
Qty. 1



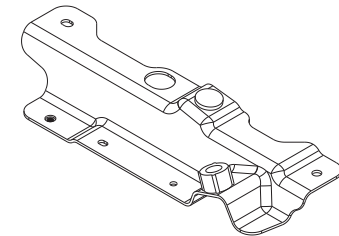
Main Pivot Bracket Right  
Part #616.46  
Qty. 1



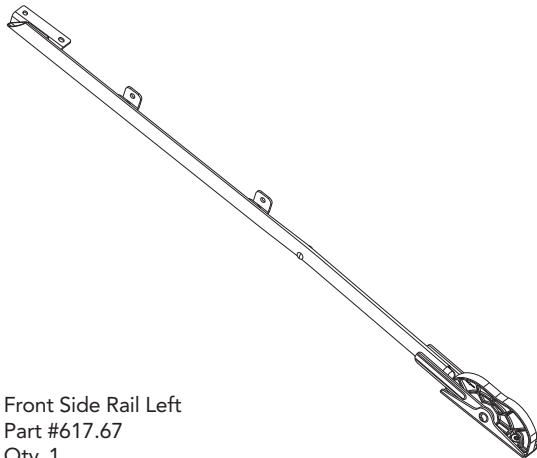
Rear Door Rail Right  
Part #616.64  
Qty. 1



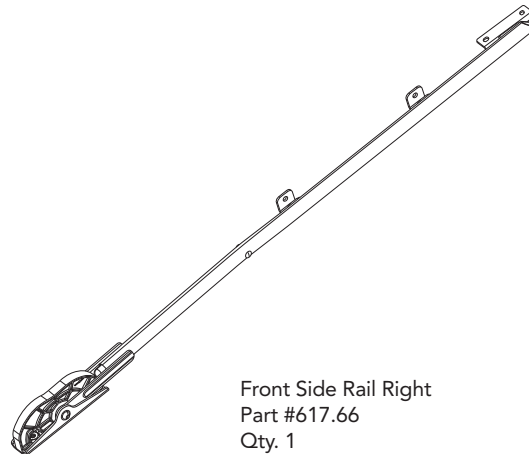
Rear Door Rail Left  
Part #616.65  
Qty. 1



Main Pivot Bracket Left  
Part #616.47  
Qty. 1



Front Side Rail Left  
Part #617.67  
Qty. 1



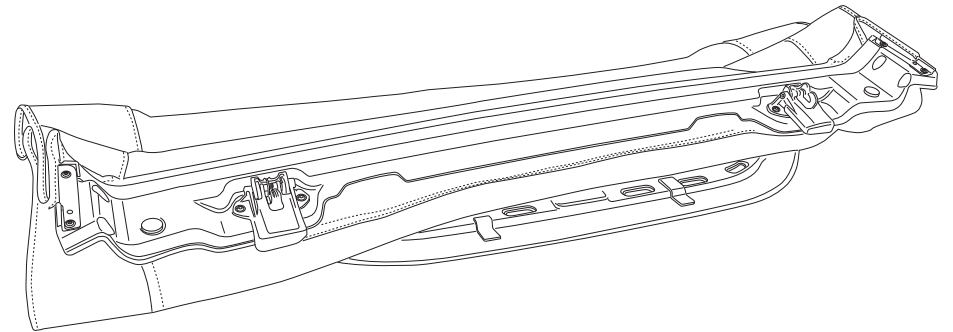
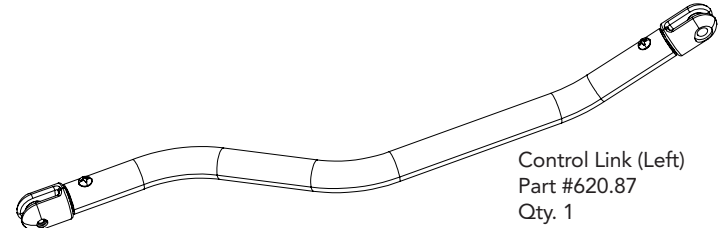
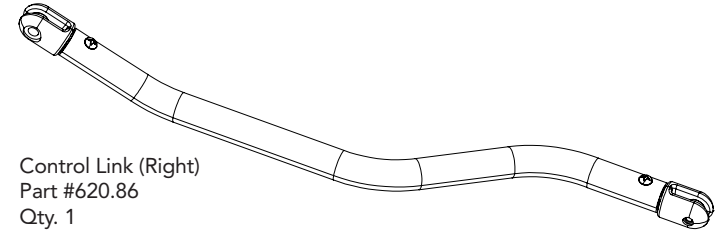
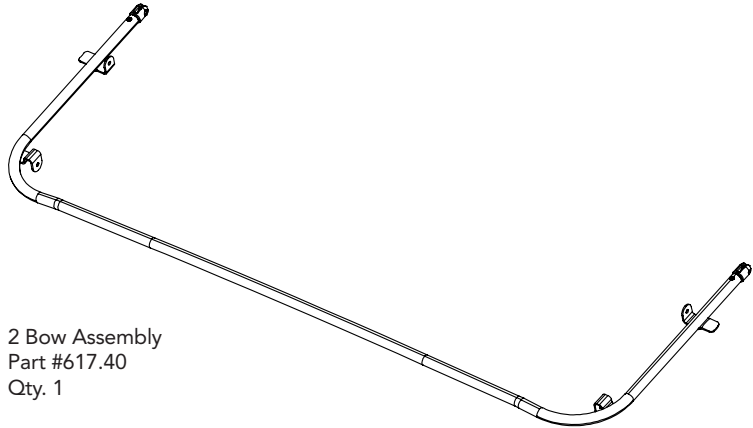
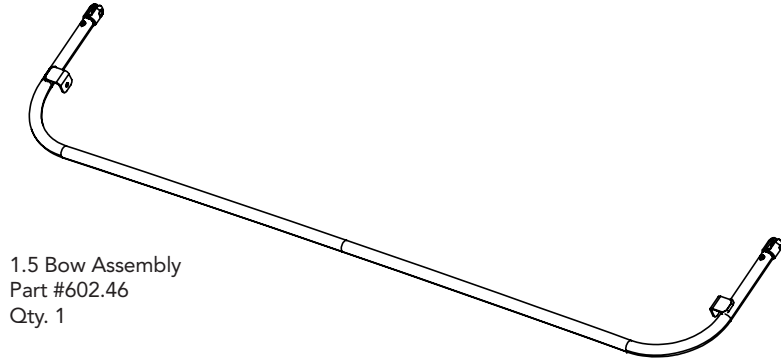
Front Side Rail Right  
Part #617.66  
Qty. 1



# Installation Instructions Bronco® Skyrider

Vehicle Application:  
Ford Bronco 4 Door 2021-current  
Part Number 52462

## Parts List



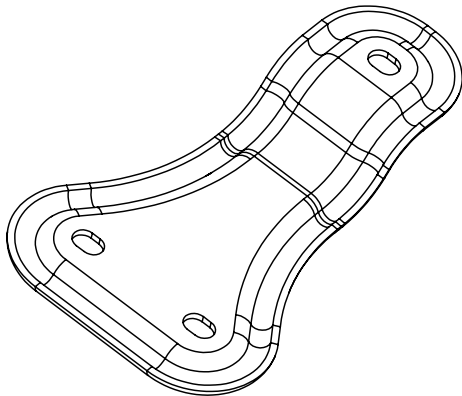


# Installation Instructions Bronco® Skyrider

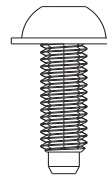
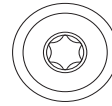
Vehicle Application:  
Ford Bronco 4 Door 2021-current  
Part Number 52462

## Parts List

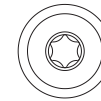
### 636.82 Small Parts Kit



Halo Attach Bracket  
Part #619.42  
Qty. 1



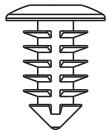
SCREW, M6 X 1.0 X 15mm  
Part #533.61  
Qty. 10  
T-30 Torx



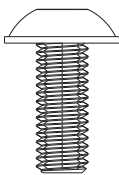
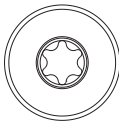
Screw, M6 X 1.0 X 25mm  
Part #535.23  
Qty. 2  
T-30 Torx



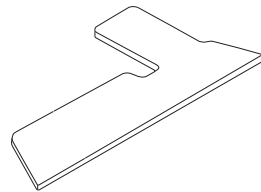
SCREW, Pivot Knuckle  
Part #308.65  
Qty. 12  
T-30 Torx



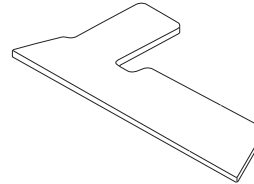
Push Pin  
Part #533.96  
Qty. 2



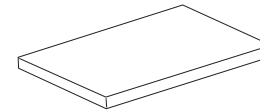
Screw, M8 X 1.25 X 20mm  
Part #573.09  
Qty. 7  
T-40 Torx



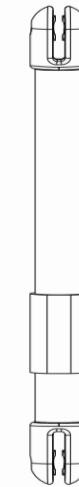
#1 Bow Foam Seal Rt  
Part #615.66  
Qty. 1



#1 Bow Foam Seal Lt  
Part #615.67  
Qty. 1



Rear Halo Foam  
Part #646.69  
Qty. 2

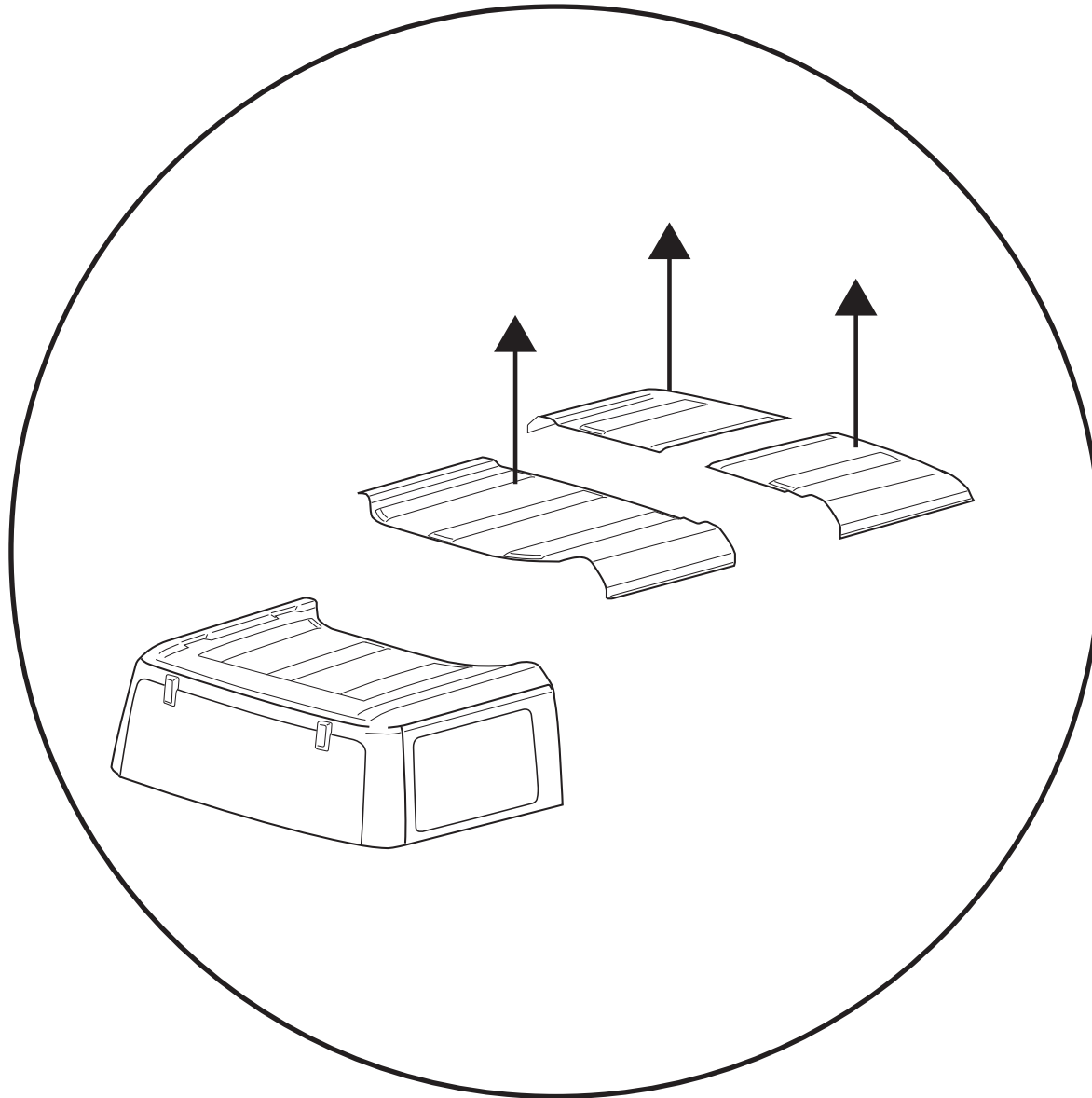


Control Linkage  
Part #602.75  
Qty. 2

## Section 1

### Remove Factory Top Panels

Remove the hardtops front and center panels.  
(See owners manual for details)



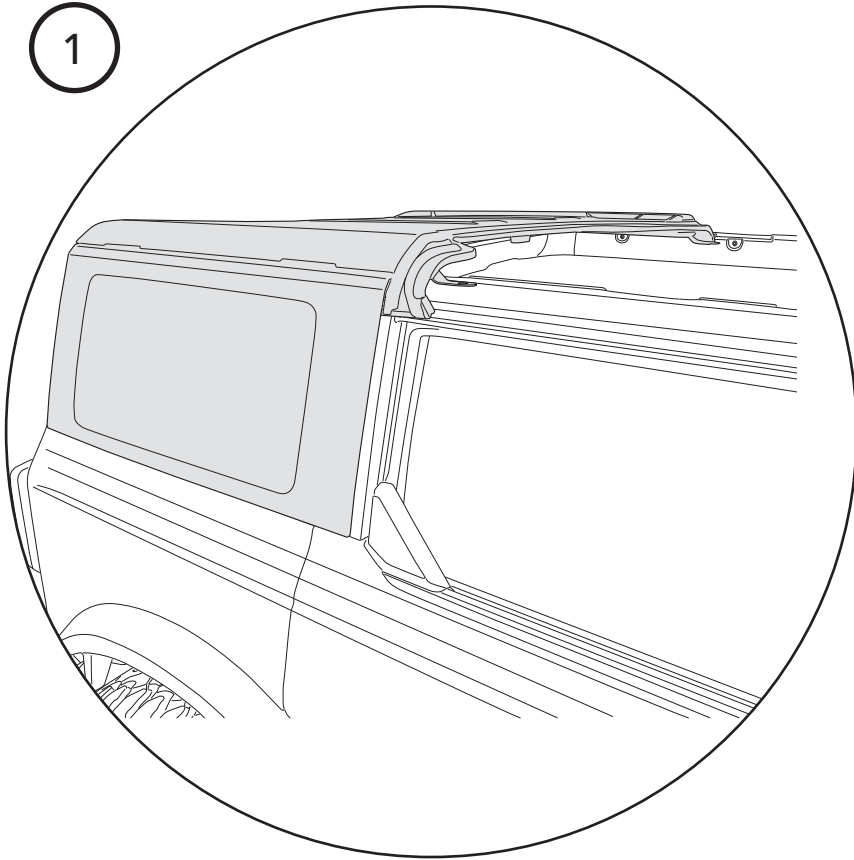
## Section 2 Move Factory Rear Shell rearward

### Tools



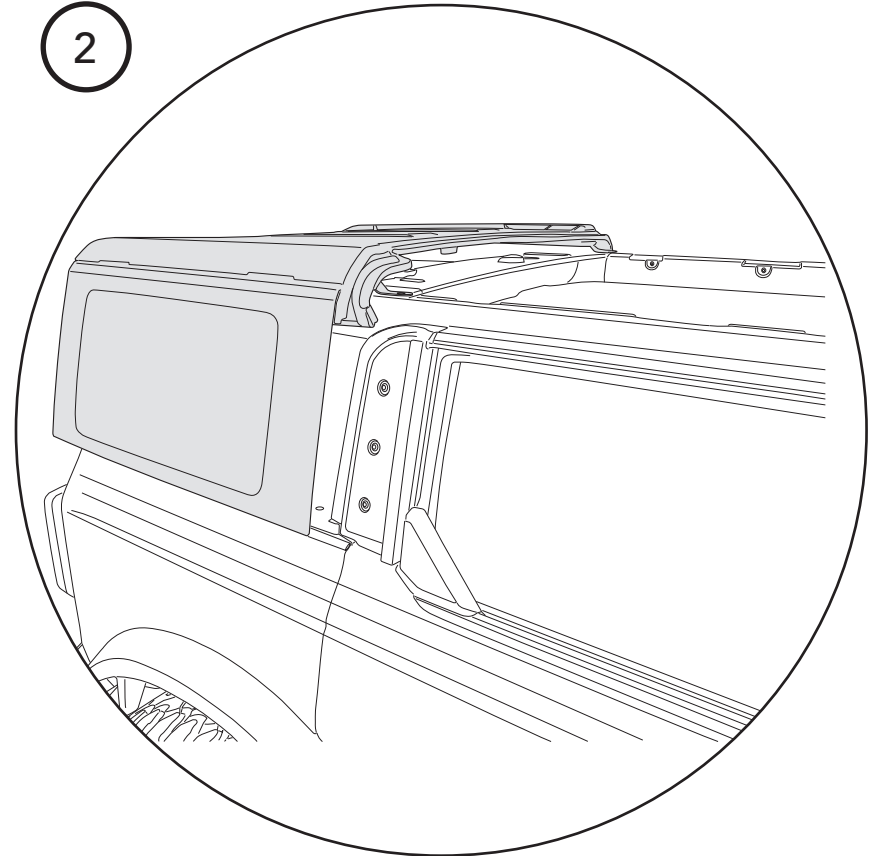
T40 and T50  
Torx Drivers

1



Remove the factory hardtop mounting fasteners.  
(See owners manual for details)

2



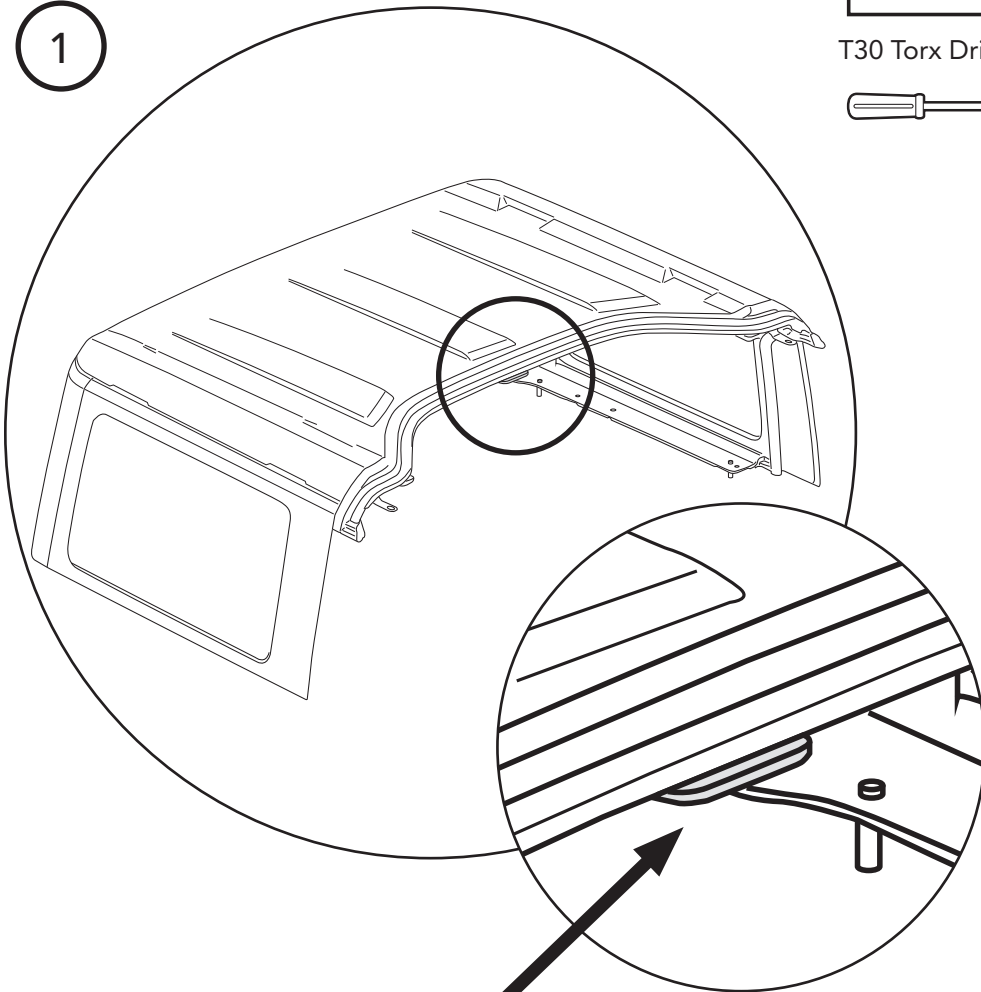
Move the rear shell of the factory hardtop rearward  
ten (10) inches.

**TIP**

It will be easier moving the  
hardtop with two people.

### Section 3 Install Halo Attach Bracket

1

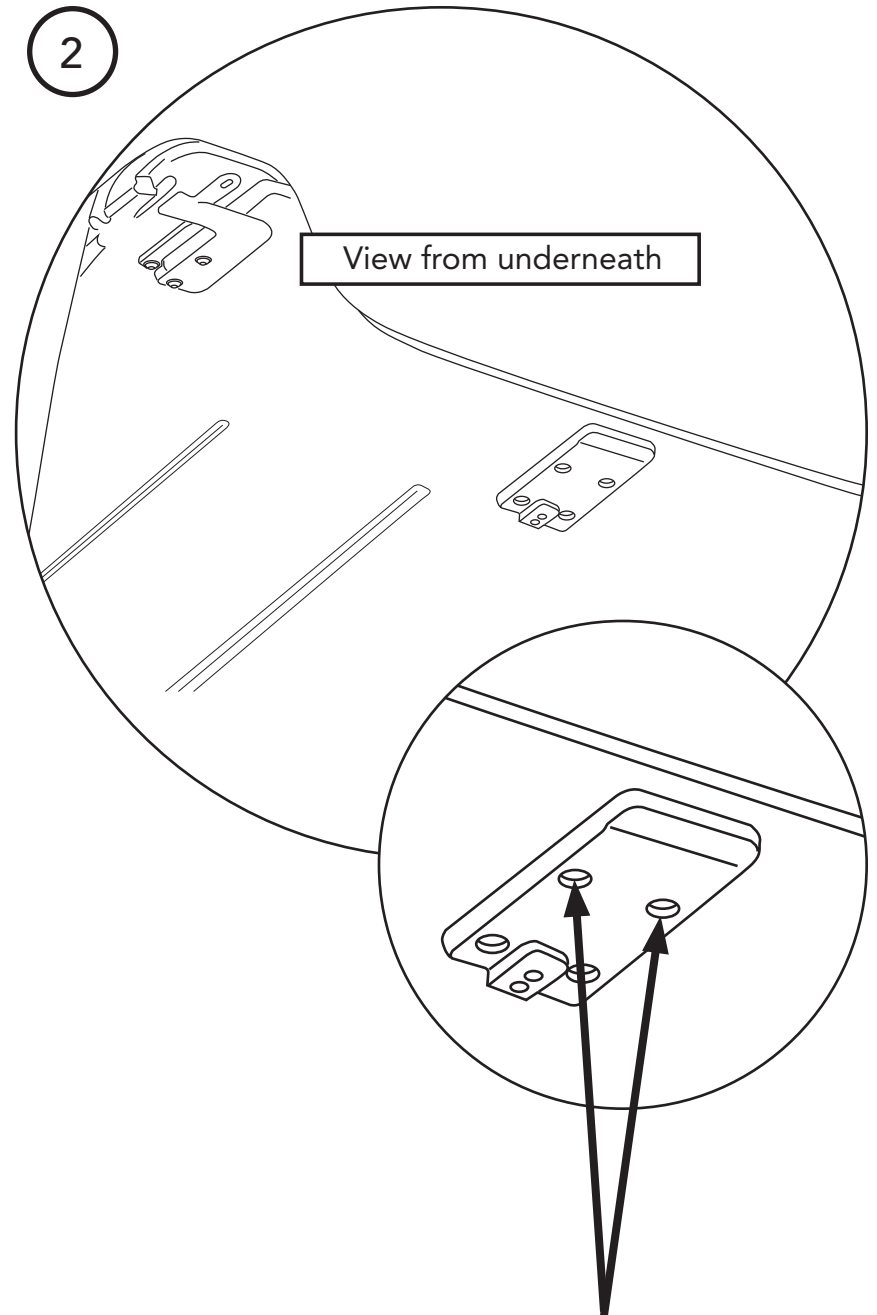


Locate the Latch Receiver Bracket.

Tools  
T30 Torx Drivers



2



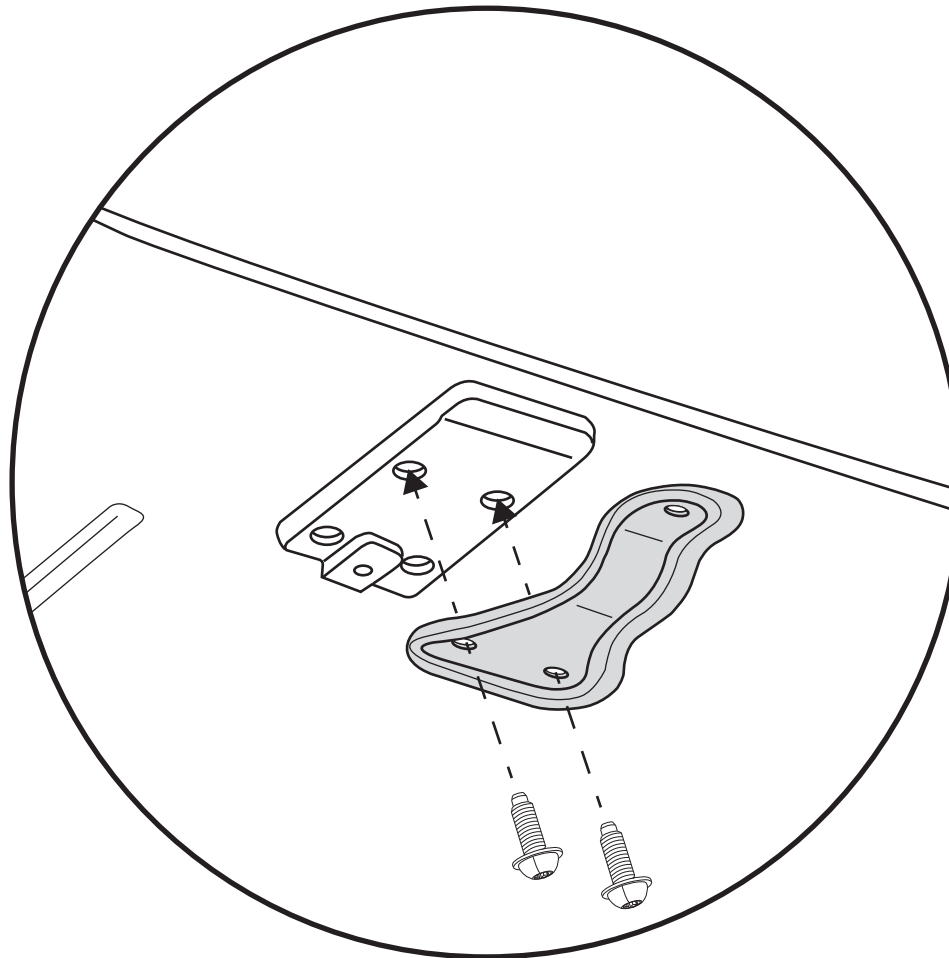
Remove two (2) screws



### Section 3 Install Halo Attach Bracket (cont.)

#### Tools

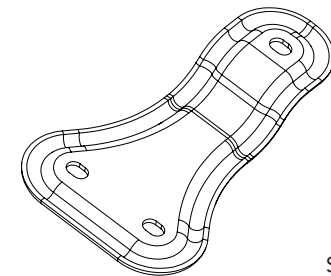
T30 Torx Drivers



Place the Halo Attach Bracket on the latch receiver bracket then install two (2) M6 x 1 x 25mm Screws.

**Note:** Make sure the tab on the Halo Attach Bracket is above the latch receiver bracket when it is installed.

#### Parts



Halo Attach Bracket  
Part #619.42  
Qty. 1



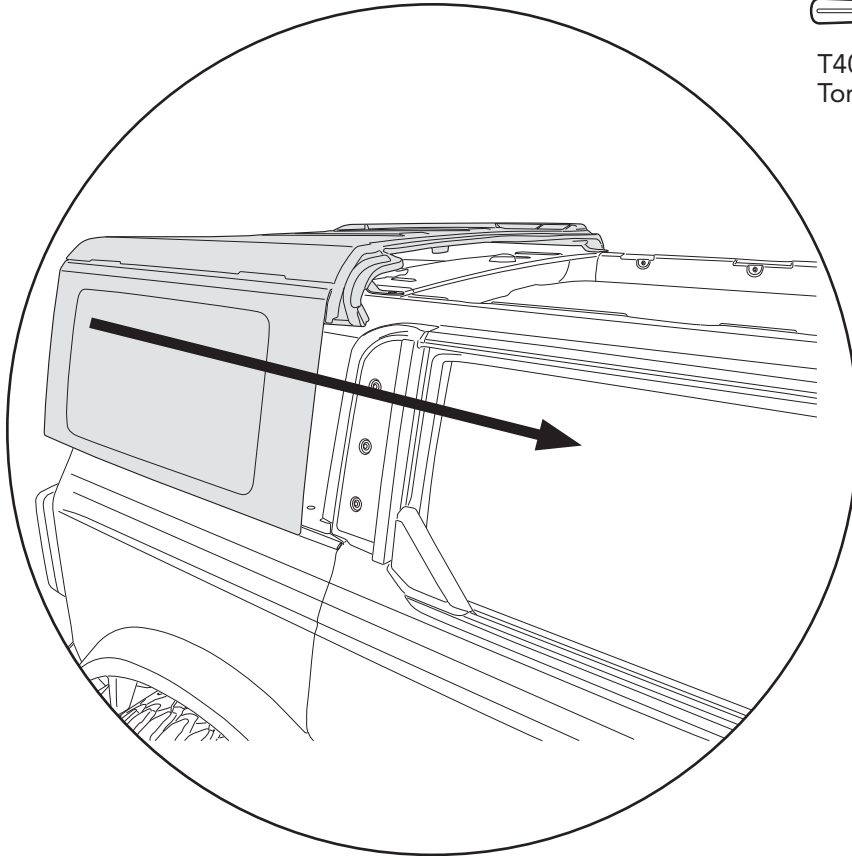
SCREW, M6 X 1.0 X 25mm  
Part #535.23  
Qty. 2  
T-30 Torx

## Section 4 Re-Attach the Factory Rear Shell

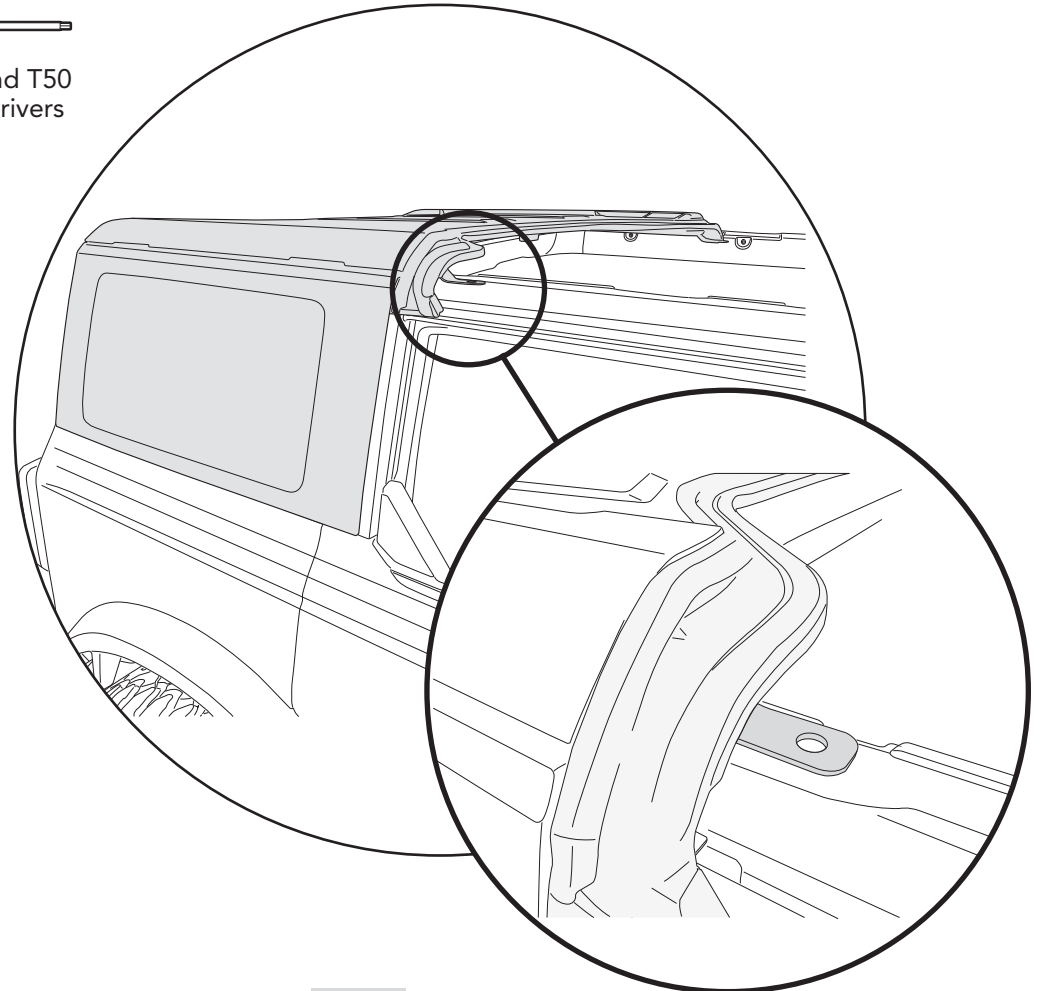
### Tools



T40 and T50  
Torx Drivers



Move the rear shell of the factory hardtop forward to the factory mounting position then replace the fasteners that mount the hardtop to the vehicle body.  
(See owners manual for details)



**Note:** Do not re-install the M8 Screws that were removed from this location at this time. These will be re-installed later during the installation.

**TIP**

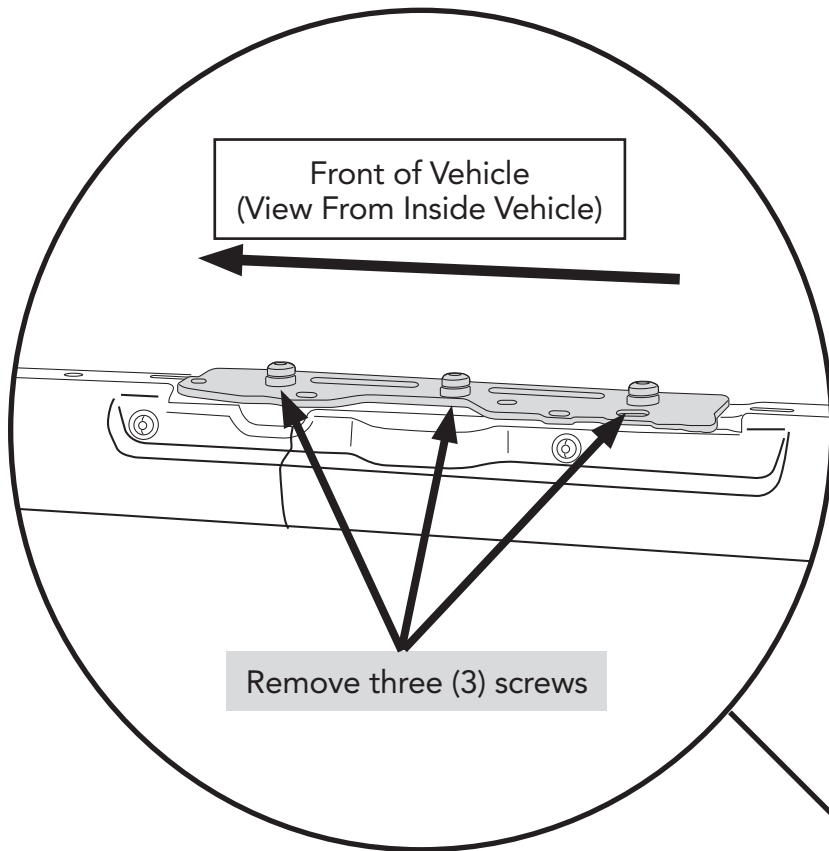
It will be easier moving the hardtop with two people.

## Section 5 Remove Hardtop Panel Retainer Brackets

Tools

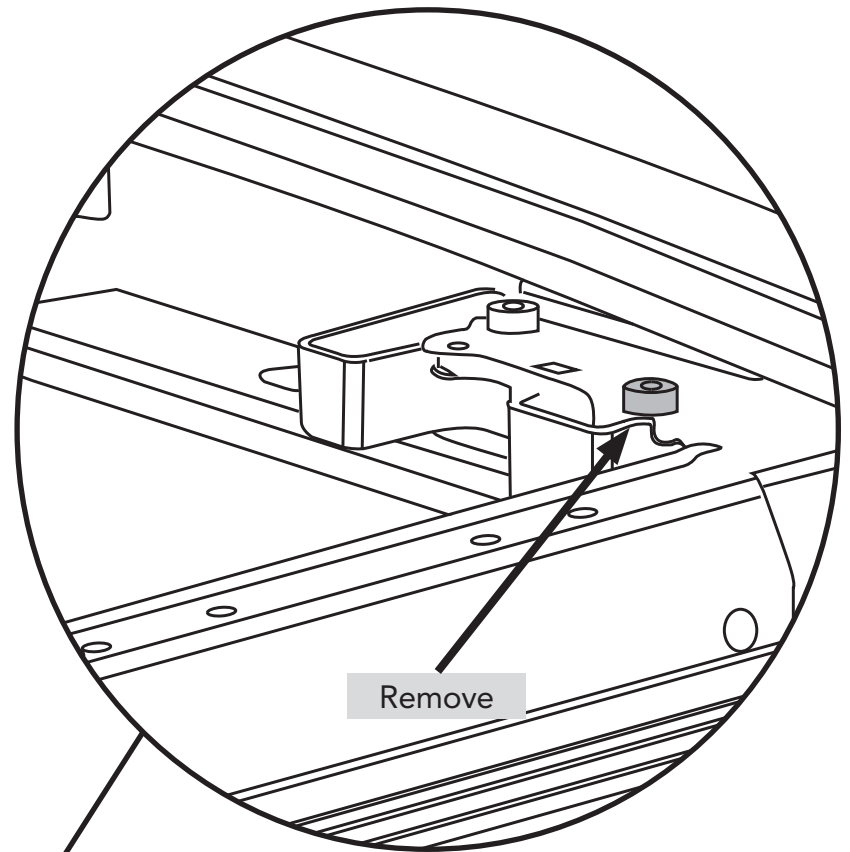


T50  
Torx Driver



Remove three (3) screws and the hardtop panel retainer bracket from the vehicle.

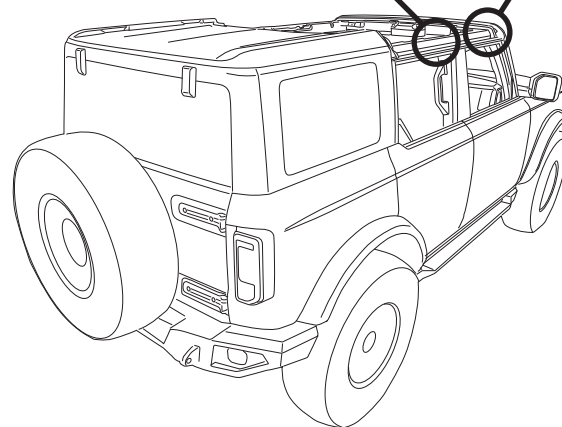
Repeat on the left side of the vehicle.



Remove the screw from the vehicle.

Repeat on the left side of the vehicle.

**Note:** Hold onto these screws. They will be used to mount the Sunrider to the vehicle

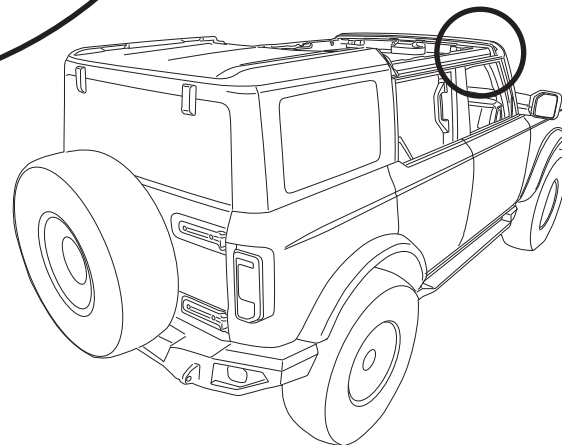
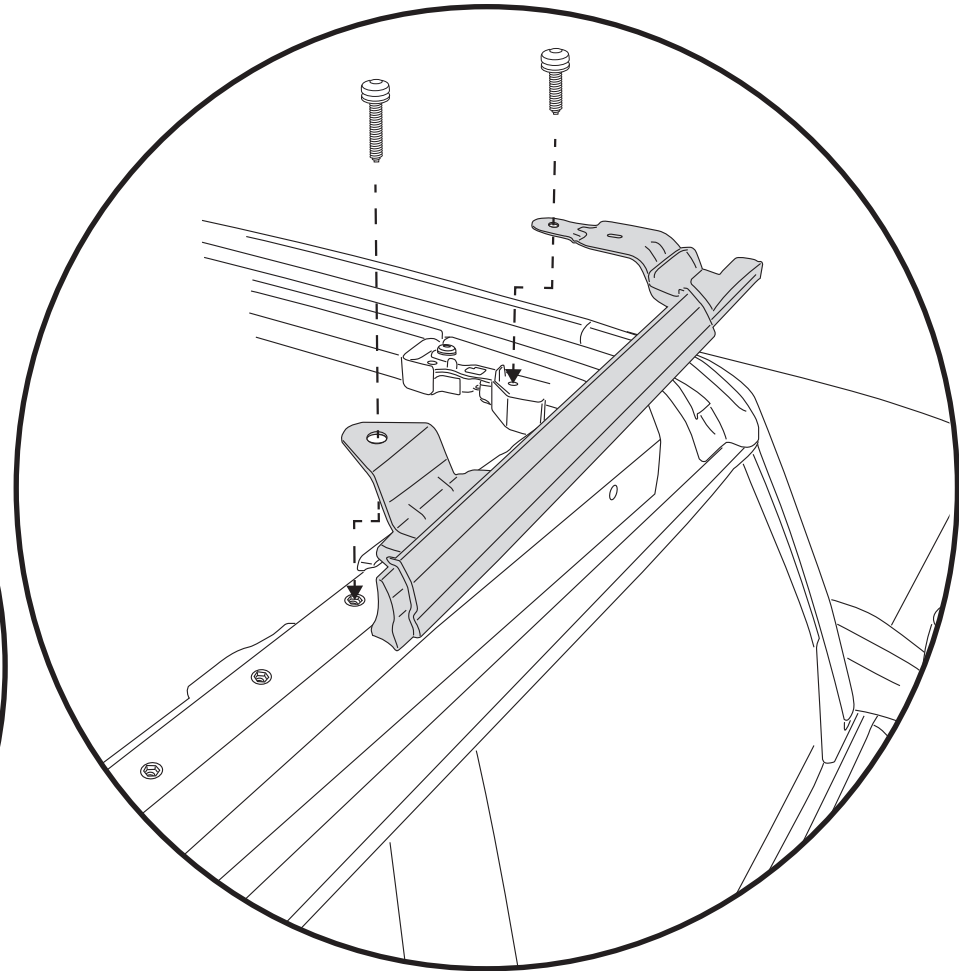
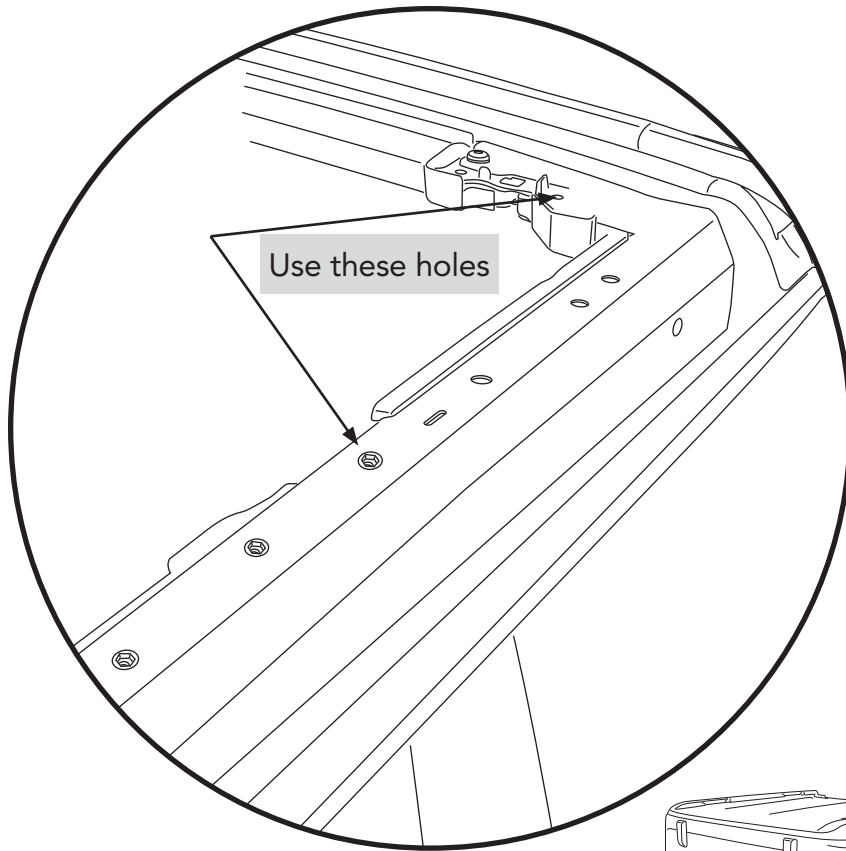


## Section 6 Install Front Door Rails

### Tools



T50  
Torx Driver



Position the Front Door Rail over the holes then replace the screws that were just removed.

Repeat on the left side of the vehicle.

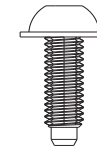
## Section 7 Assemble Side Rails

### Tools

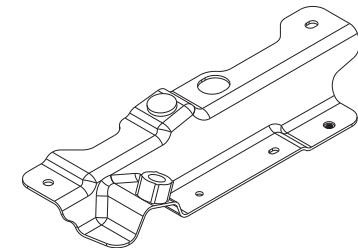
T30 Torx Drivers



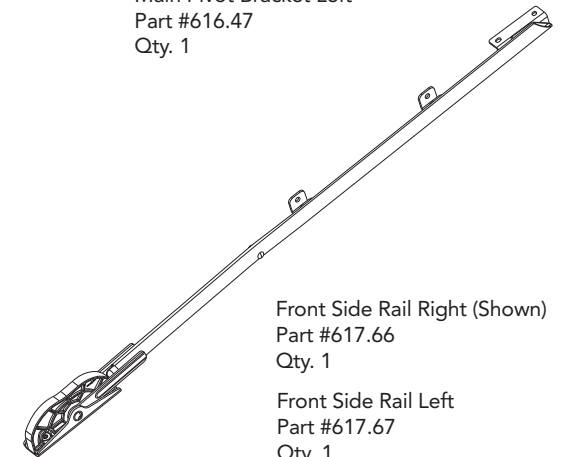
### Parts



SCREW, M6 X 1.0 X 15mm  
Part #533.61  
Qty. 4



Main Pivot Bracket Right (Shown)  
Part #616.46  
Qty. 1  
Main Pivot Bracket Left  
Part #616.47  
Qty. 1

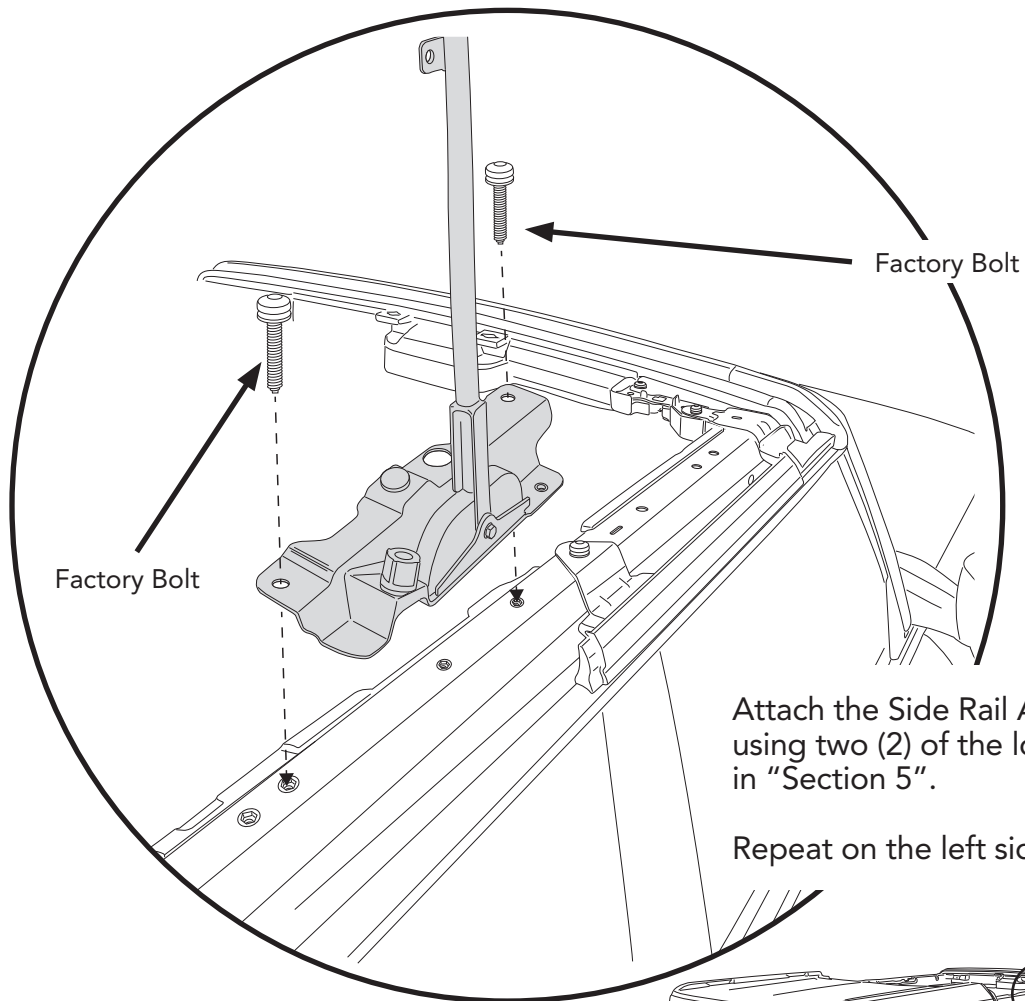


Front Side Rail Right (Shown)  
Part #617.66  
Qty. 1  
Front Side Rail Left  
Part #617.67  
Qty. 1

Attach the Main Pivot Bracket to the Front Side Rail (Right) using two (2) M6 x 1.0 x 15 mm screws

Repeat on the left side of the vehicle.

## Section 8 Install Side Rail Assemblies

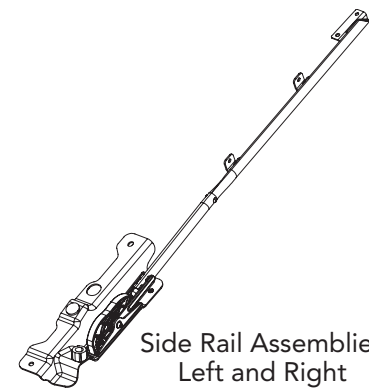


### Tools



T50  
Torx Driver

### Parts

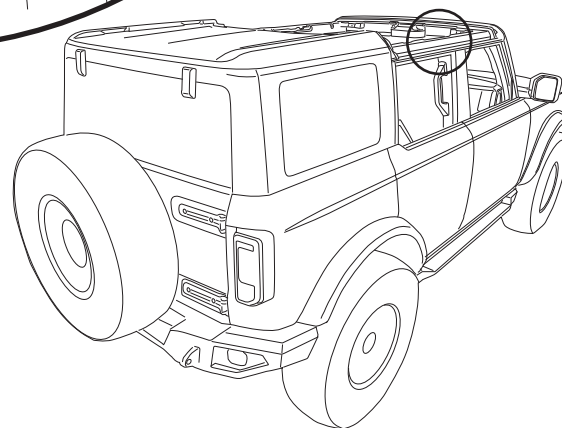


Side Rail Assemblies  
Left and Right

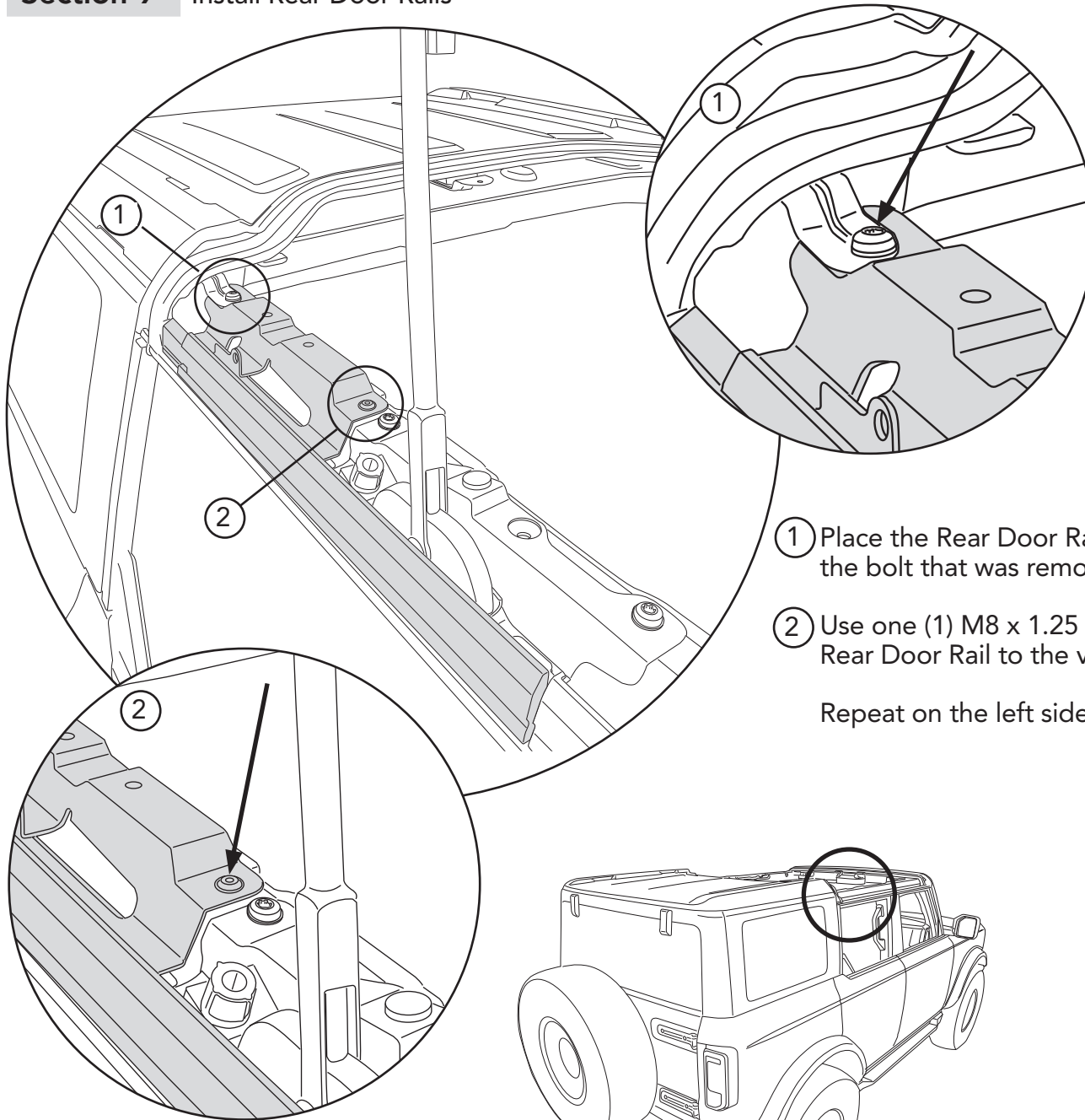
Two (2) of the bolts (Longer)  
removed in "Section 5"

Attach the Side Rail Assembly to the vehicle (Right)  
using two (2) of the longer bolts that was removed  
in "Section 5".

Repeat on the left side of the vehicle.



## Section 9 Install Rear Door Rails



### Tools

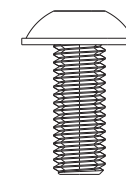
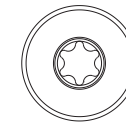


T30 and T50  
Torx Drivers

- 1 Place the Rear Door Rail under the tab on the hardtop then replace the bolt that was removed in section 2.
- 2 Use one (1) M8 x 1.25 x 20mm Screw to attach the center of the Rear Door Rail to the vehicle.

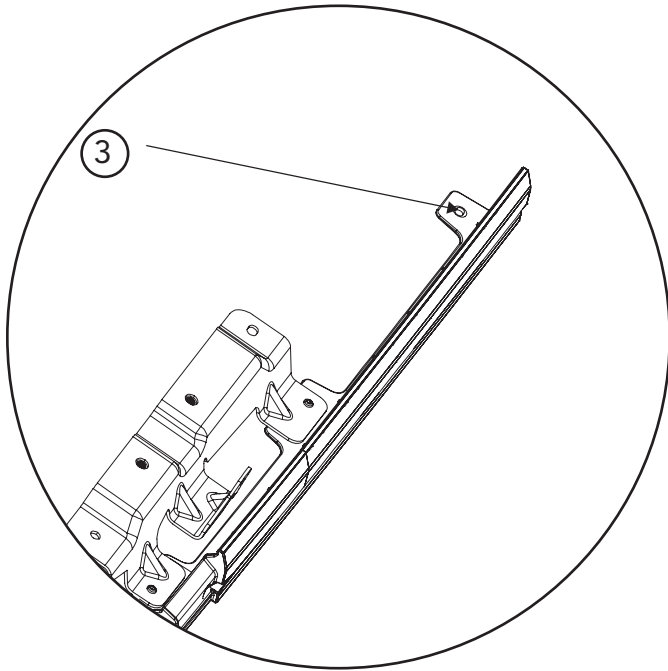
Repeat on the left side of the vehicle.

### Parts



Screw, M8 X 1.25 X 20mm  
Part #573.09  
Qty. 2  
T-40 Torx

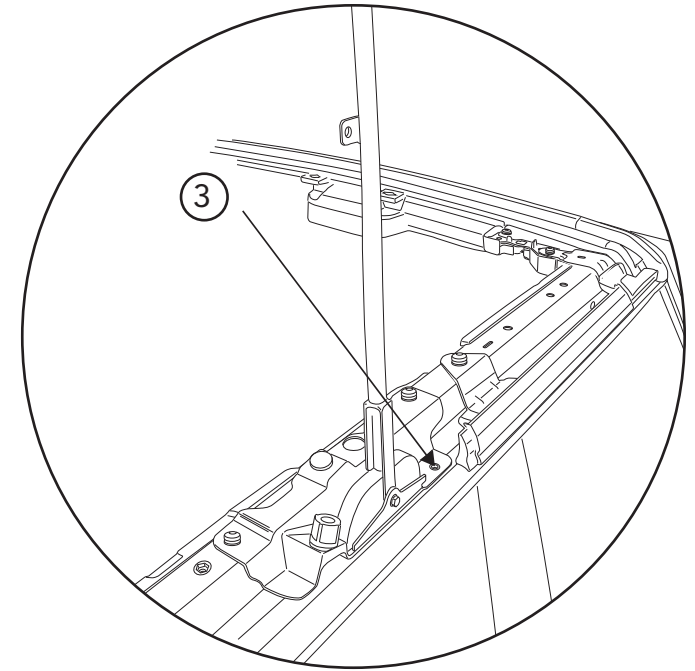
## Section 9 Install Rear Door Rails (Cont)



### Tools

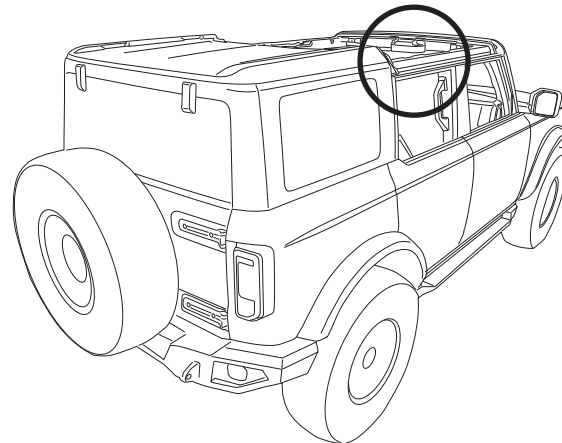


T30  
Torx Driver

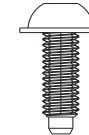


- ③ Use one (1) M6 x 1.0 x 15mm Screw to attach the front of the Rear Door Rail to the Main Pivot Bracket.

Repeat on the left side of the vehicle.



### Parts



SCREW, M6 X 1.0 X 15mm  
Part #533.61  
Qty. 2  
T-30 Torx



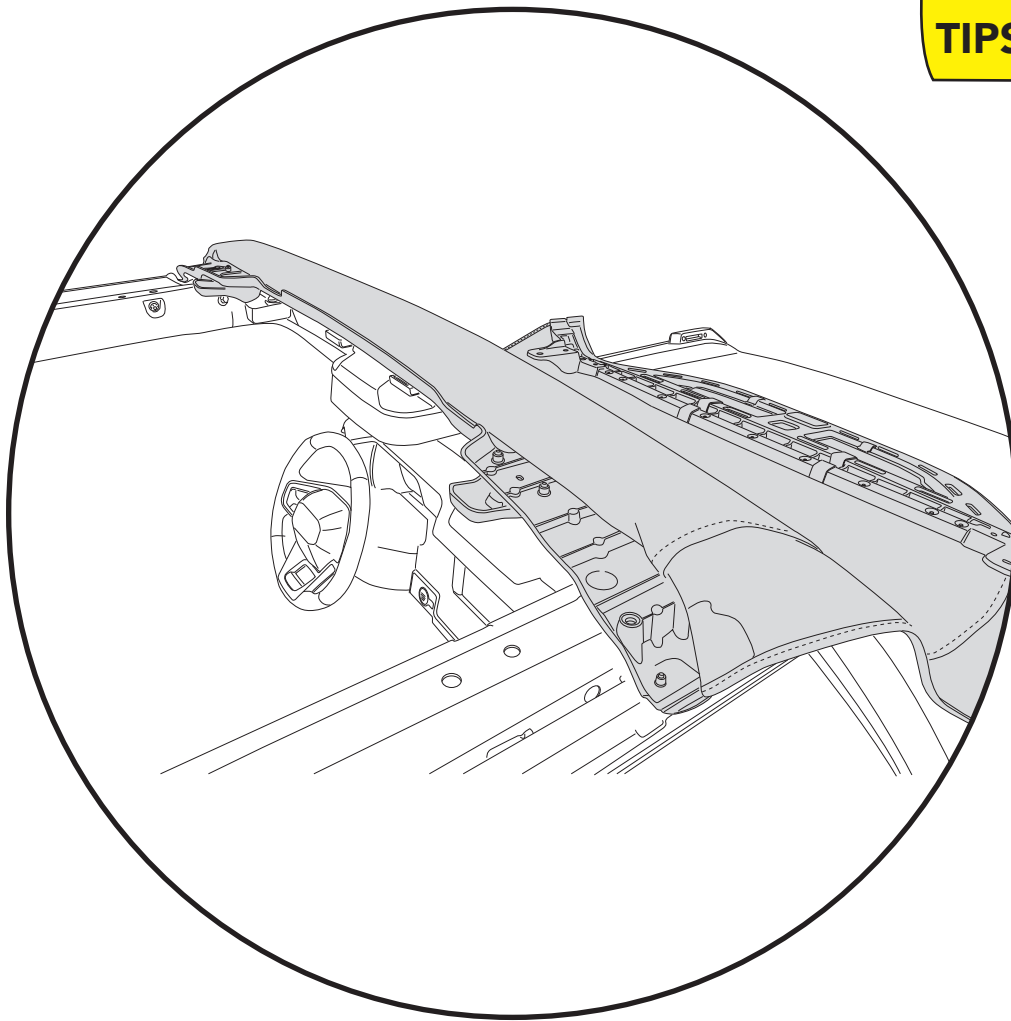
## Section 10 Place Top Assembly On Vehicle

### TIPS

Placing a soft blanket on the hood of the vehicle and removing the radio antenna will protect the vehicle from scratches and make it easier to get the Top Assembly onto the windshield frame.

It will be easier moving the Top Assembly with two people.

Remove antenna to make access to the right side of the vehicle easier.



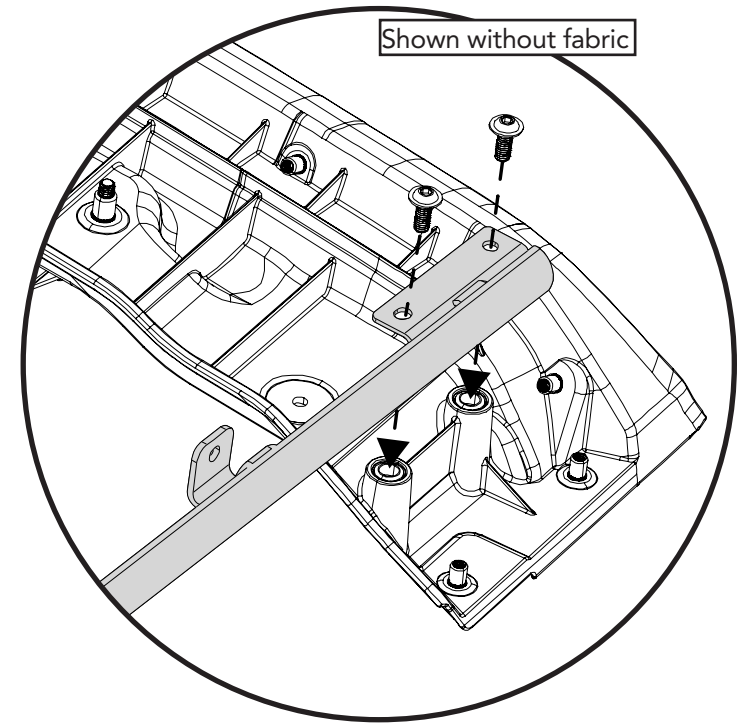
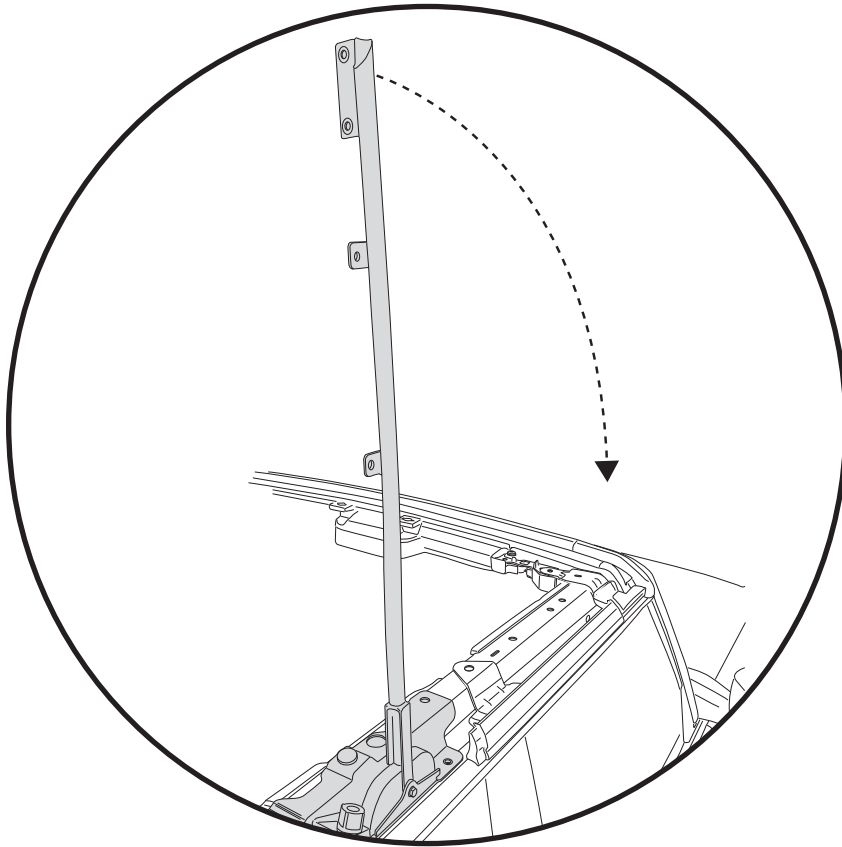
Place the Top Assembly on top of the windshield frame. While keeping the front header on the windshield frame, drape the fabric and rear header over the windshield and let it rest on the hood of the vehicle.

## Section 11 Attach Side Bows to Header (Top Assembly)

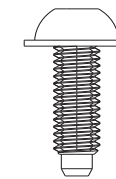
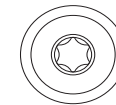
### Tools



T30 Torx Driver



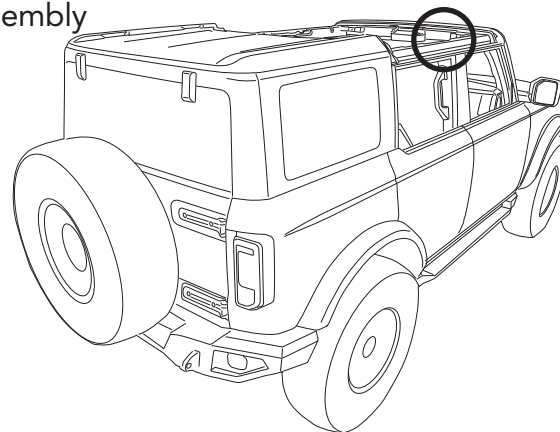
### Parts



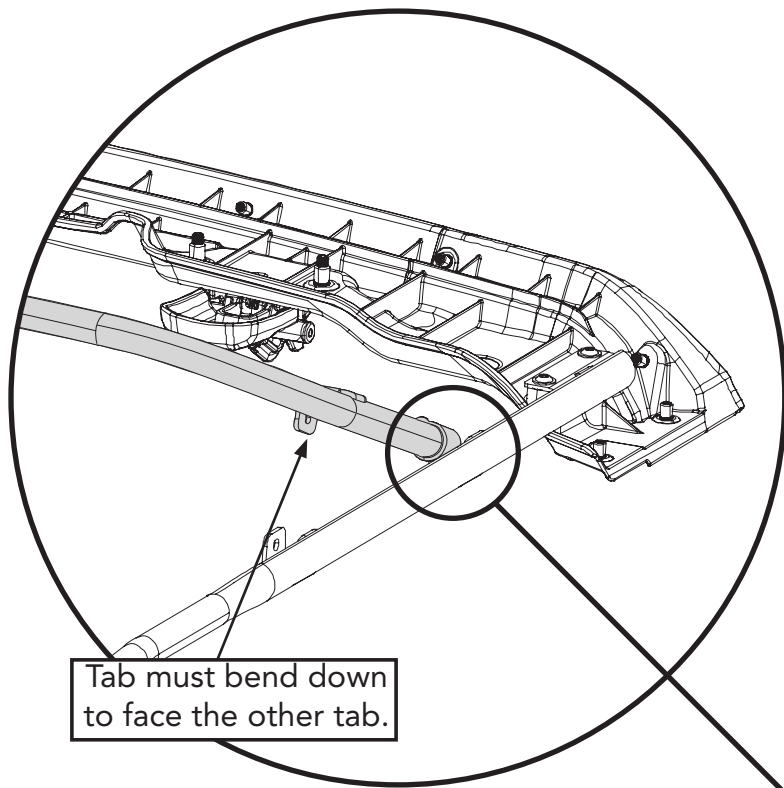
SCREW, M6 X 1.0 X 15mm  
Part #533.61  
Qty. 4  
T-30 Torx

Attach the Side Bow to the #1 Bow (Part that latches to the windshield) using two (2) M6 x 15mm Screws.

Repeat on the other side of the Fabric Assembly



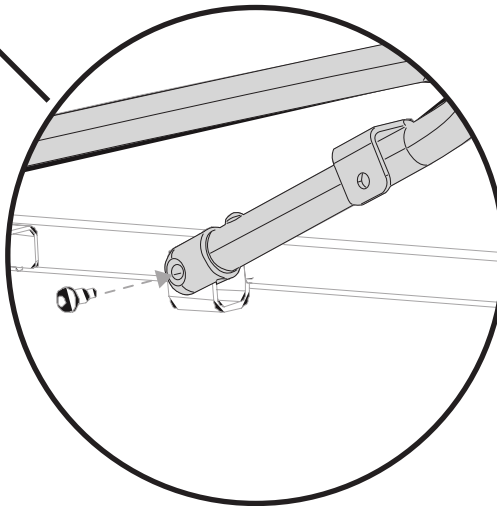
## Section 12 Install 1.5 Bow



Tab must bend down to face the other tab.

Attach the 1.5 Bow to the Front Side Rails using two (2) of the Pivot Knuckle Screws screws.

Repeat this step on the left side of the assembly.



### Tools



T30  
Torx Driver

### Parts

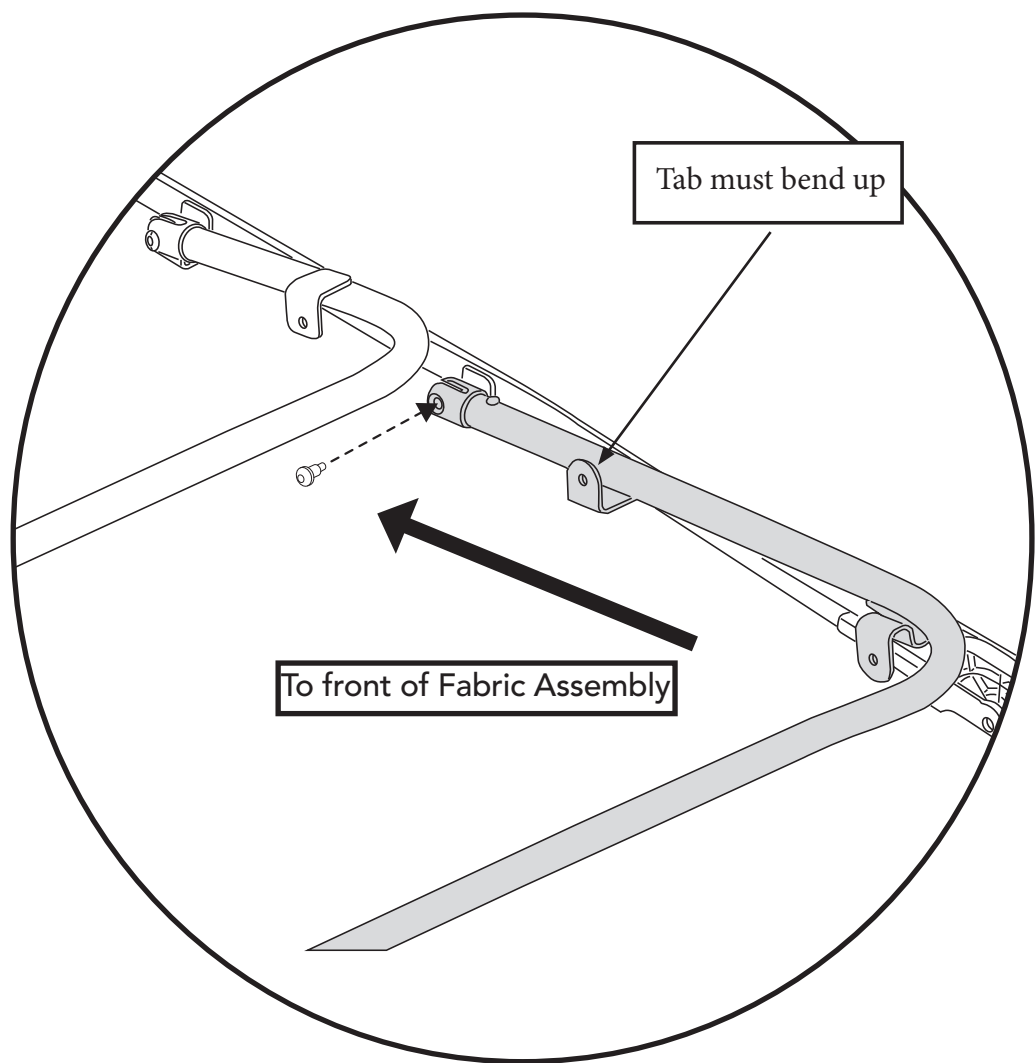


1.5 Bow Assembly  
Part #602.46  
Qty. 1

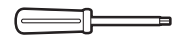


SCREW, Pivot Knuckle  
Part #308.65  
Qty. 2  
T-30 Torx

## Section 13 Install #2 Bow

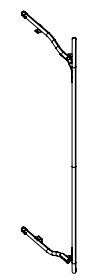


### Tools

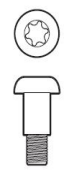


T30  
Torx Driver

### Parts



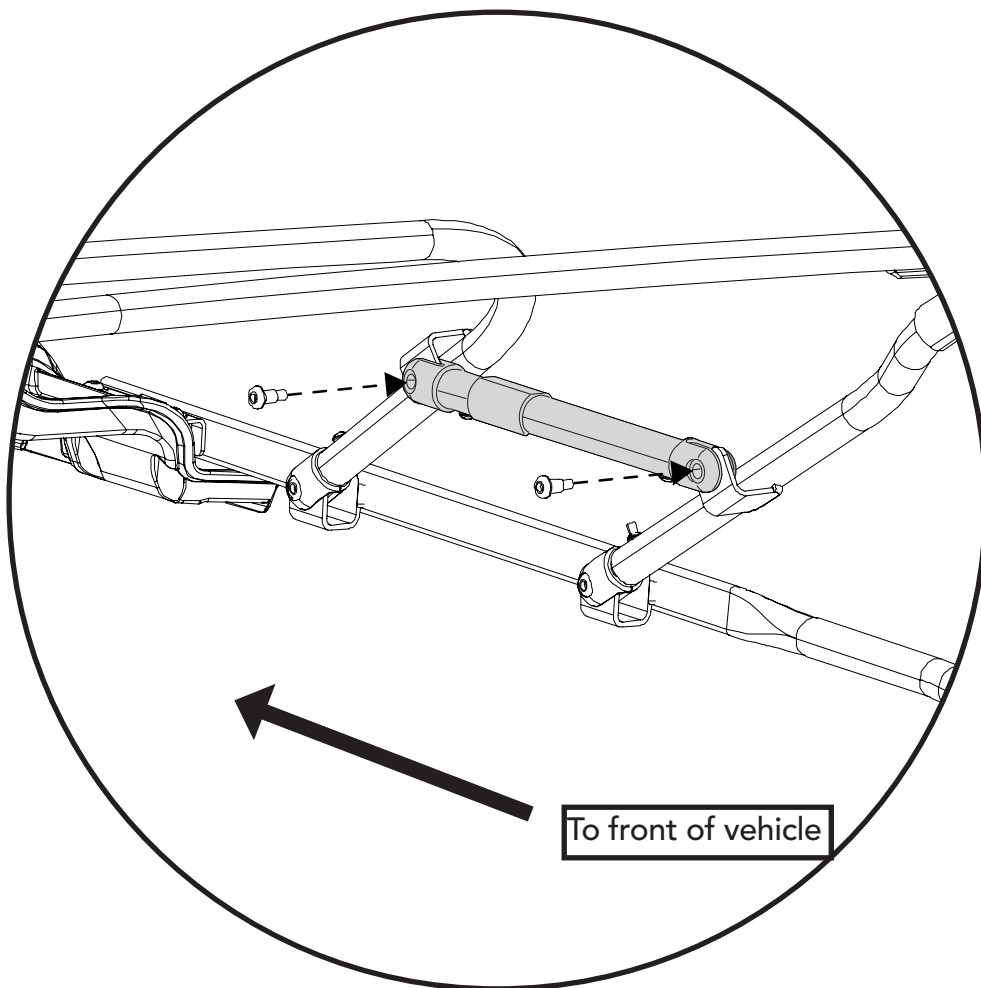
#2 Bow Assembly  
Part #617.40  
Qty. 1



SCREW, Pivot Knuckle  
Part #308.65  
Qty. 2  
T-30 Torx

Attach the 2 Bow to the Front Side Rails using two (2) of the Pivot Knuckle Screws.  
Repeat this step on the left side of the assembly.

## Section 14 Install 1.5 Bow Control Link



### Tools



T30  
Torx Driver

### Parts



Control Linkage  
Part #602.75  
Qty. 2



SCREW, Pivot Knuckle  
Part #308.65  
Qty. 4  
T-30 Torx

Attach the 1.5 Bow Control Linkage to the 1.5 Bow and the #2 Bow using two (2) of the Pivot Knuckle screws.

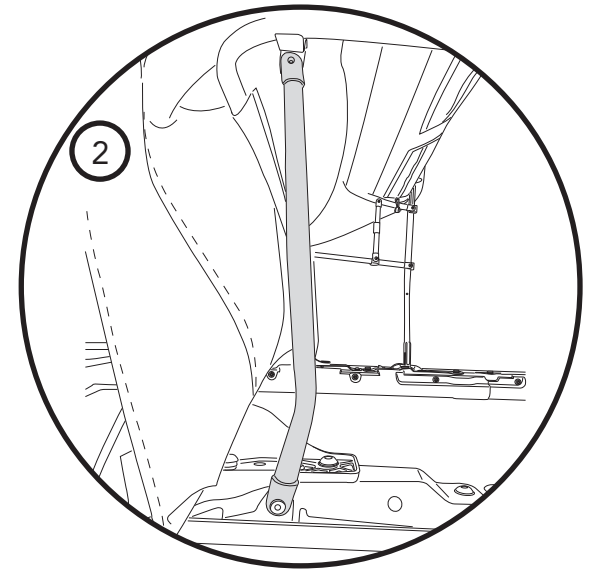
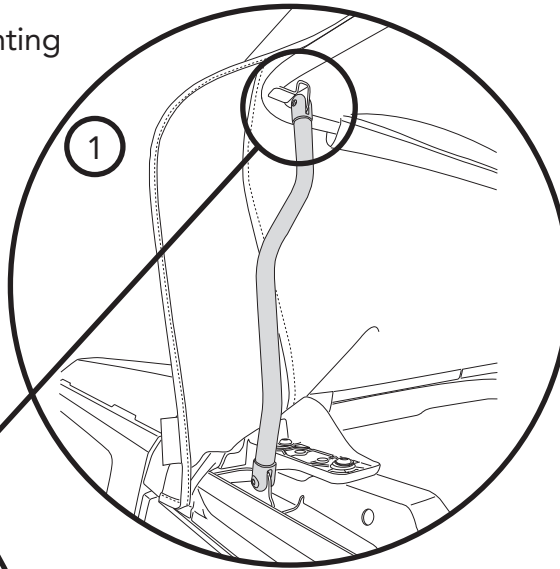
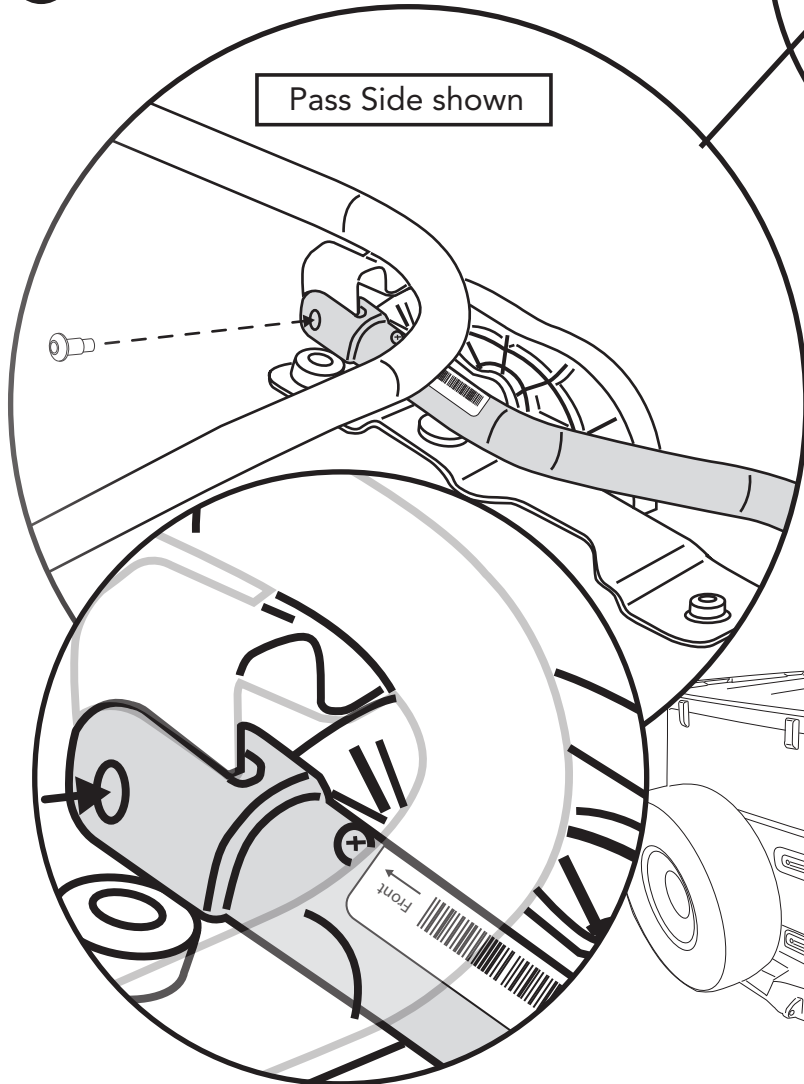
Repeat this step on the left side of the assembly.

## Section 15 Install Control Link

Attach the Control Linkage to the #2 Bow (Tab is pointing down) using one (1) of the Pivot Knuckle screws.

Repeat this step on the left side of the assembly.

- 1 Linkage bends inward - Tab on #2 Bow.
- 2 Linkage bends up - Tab on Rear door Rail



### Tools

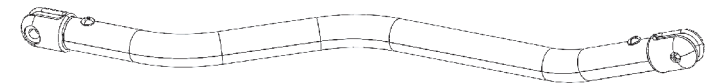


T30  
Torx Driver

### Parts



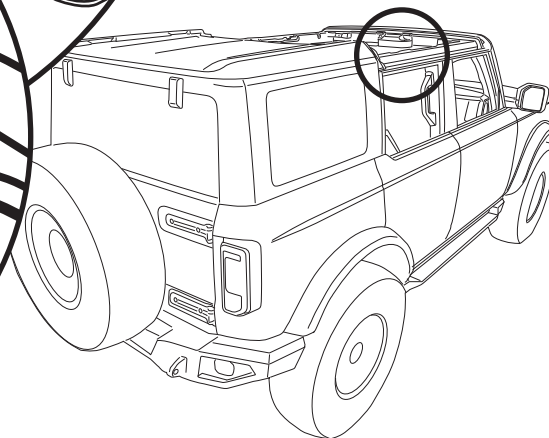
SCREW, Pivot Knuckle  
Part #308.65  
Qty. 2  
T-30 Torx



Control Link (Right)  
Part #620.86  
Qty. 1



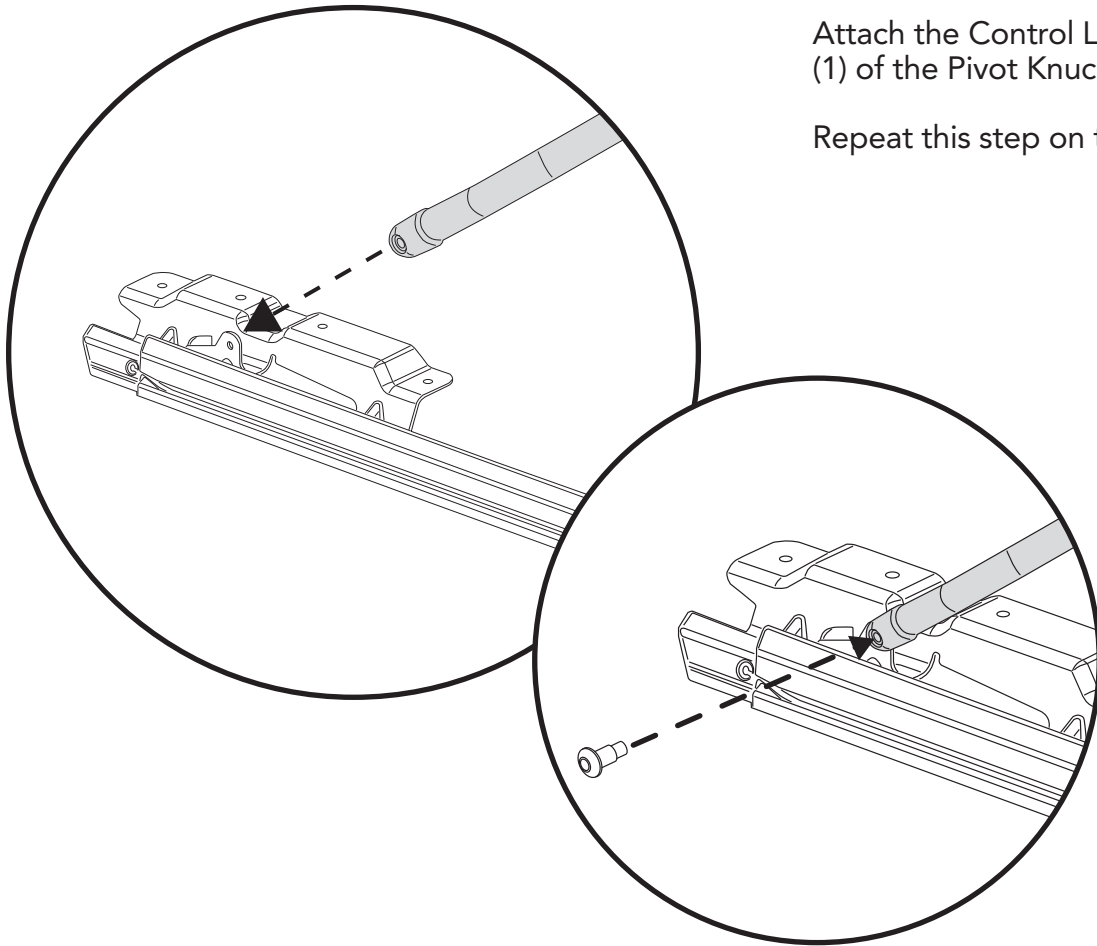
Control Link (Left)  
Part #620.87  
Qty. 1



## Section 15 Install Control Link (cont.)

Attach the Control Linkage to the Rear Door Rail using one (1) of the Pivot Knuckle screws.

Repeat this step on the left side of the assembly.



### Tools

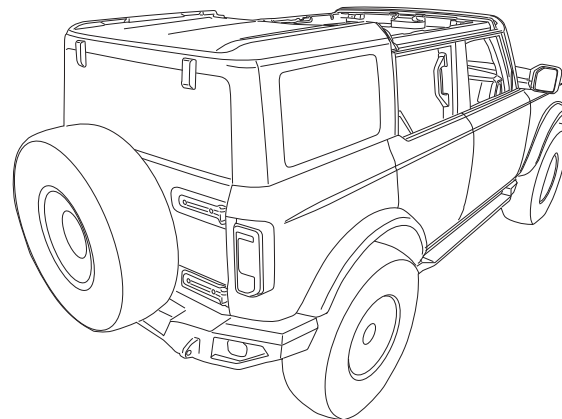


T30  
Torx Driver

### Parts

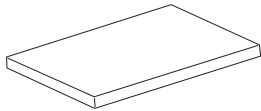


SCREW, Pivot Knuckle  
Part #308.65  
Qty. 2  
T-30 Torx



## Section 16 Install Rear Halo Foam

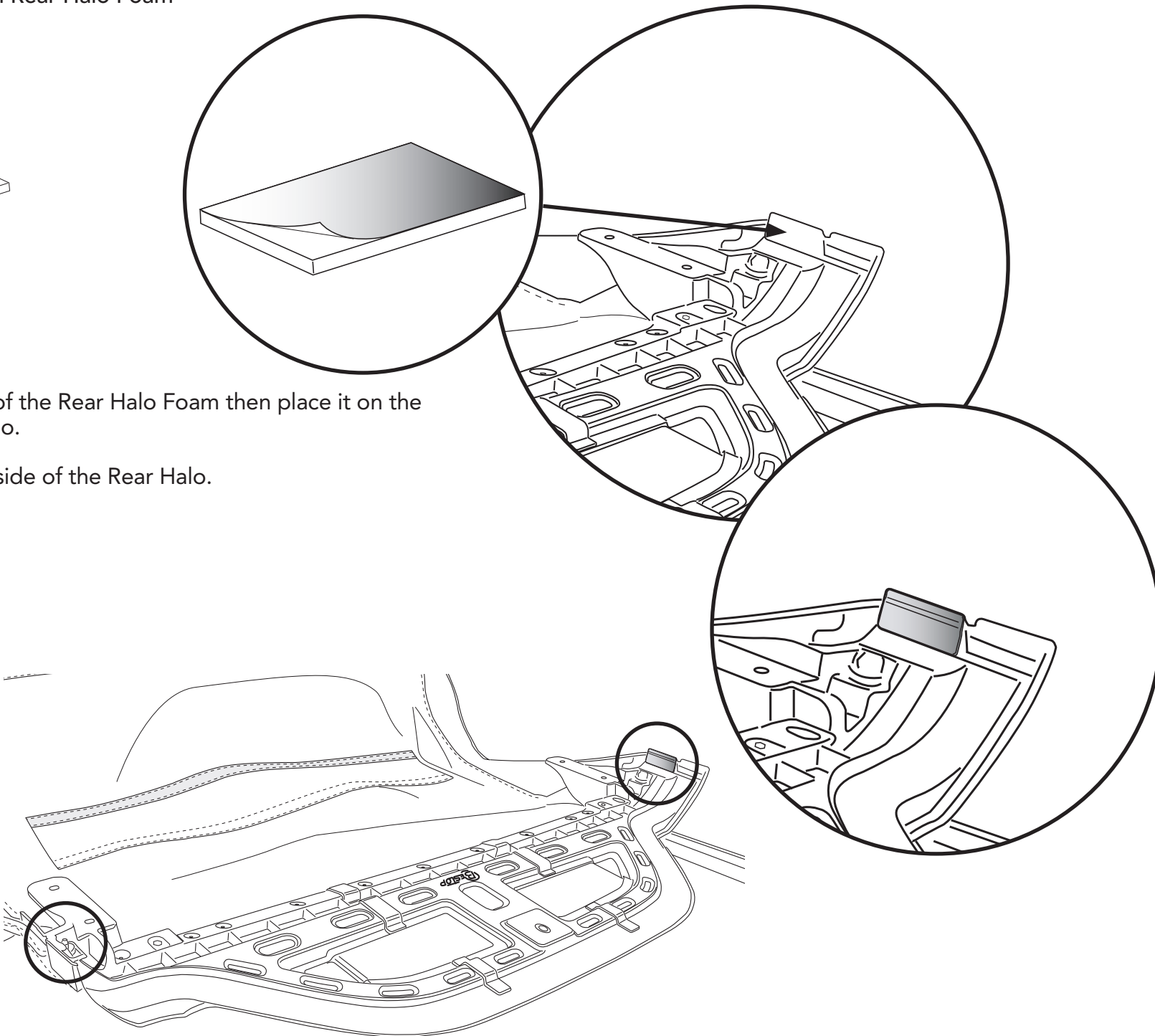
### Parts



Rear Halo Foam  
Part #646.69  
Qty. 2

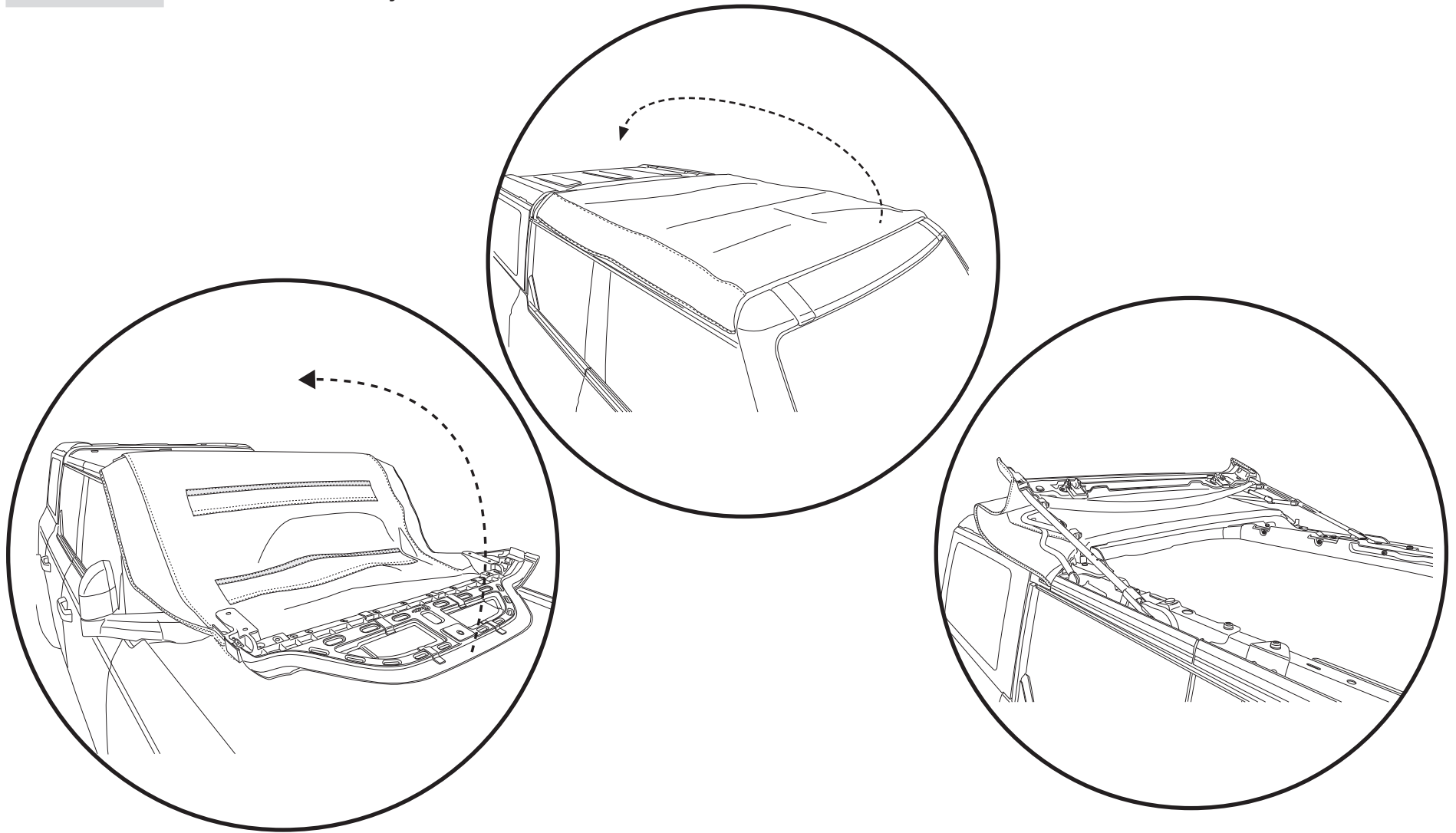
Peel the backing off of the Rear Halo Foam then place it on the inside of the Rear Halo.

Repeat on the other side of the Rear Halo.





## Section 17 Pull Fabric Assembly Rearward



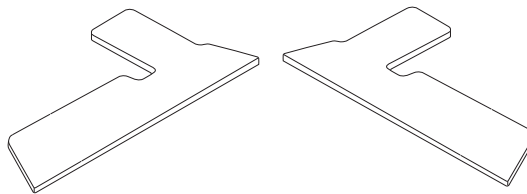
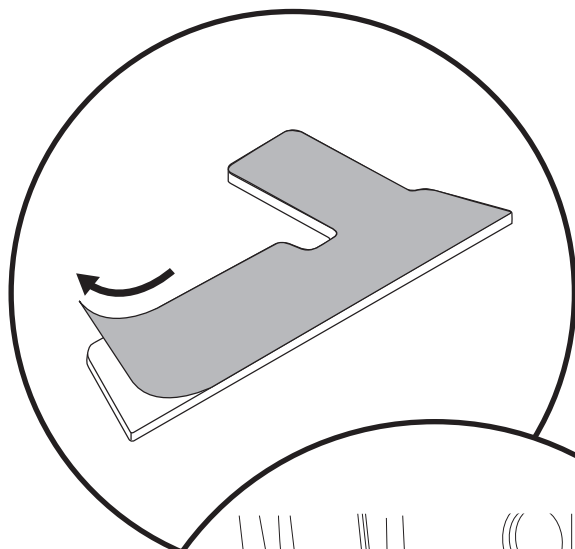
Pull the Fabric Assembly rearward and set the rear Header onto the hardtop then lift the front header up so the Side Bows are in a vertical position.



It will be easier moving the Top Assembly with two people.

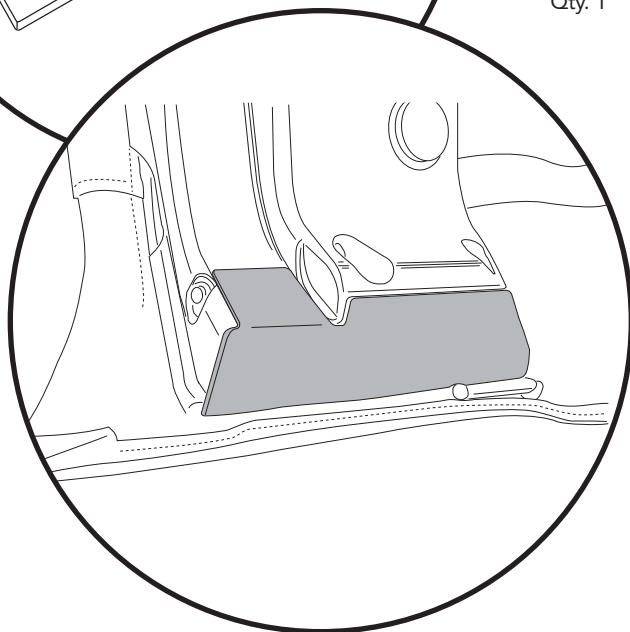
## Section 18 Install #1 Bow Foam and Attach #1 Bow

### Parts



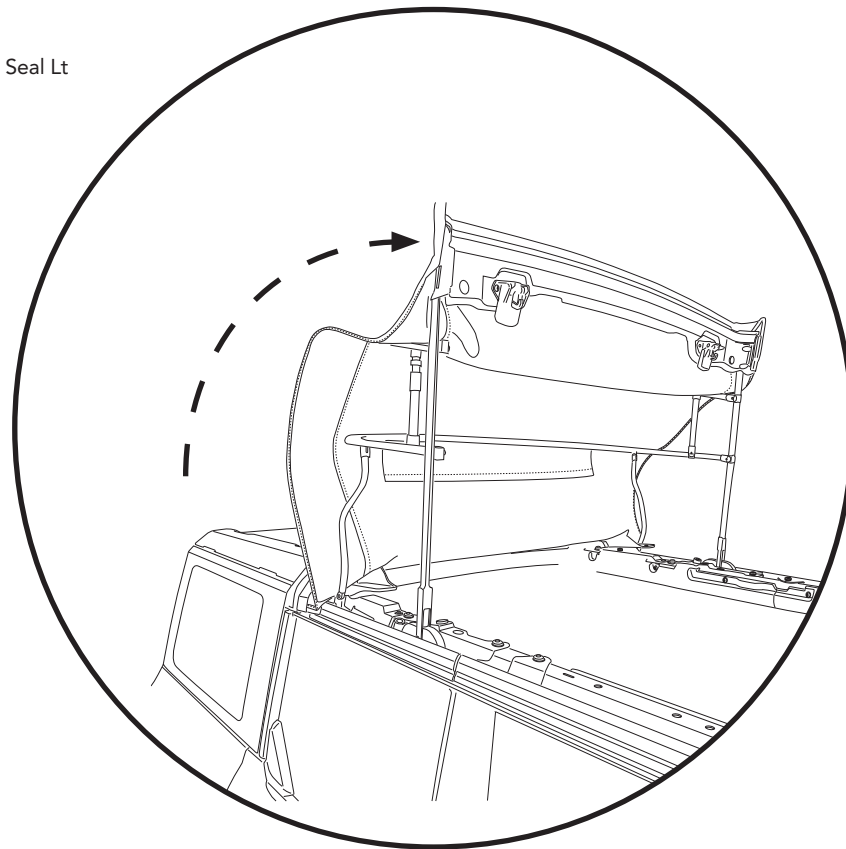
#1 Bow Foam Seal Rt  
Part #615.66  
Qty. 1

#1 Bow Foam Seal Lt  
Part #615.67  
Qty. 1



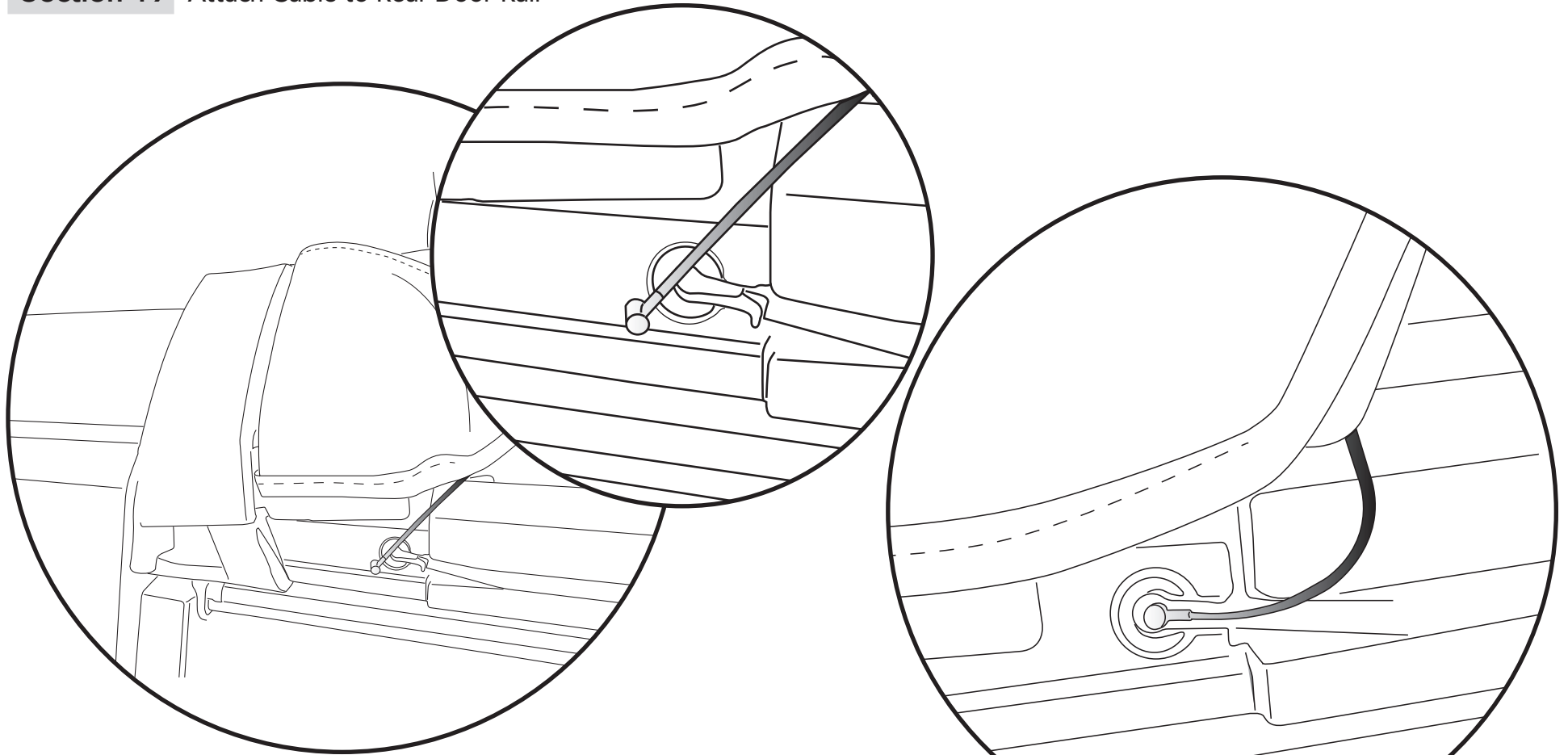
Peel the protective paper from the back of the #1 Bow Foam Seal then adhere it to the side of the #1 Bow.

Repeat this step on the left side of the assembly.

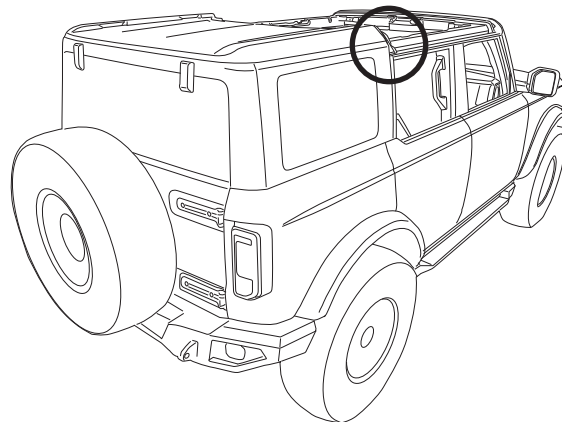


Put the #1 Bow into the vertical position.

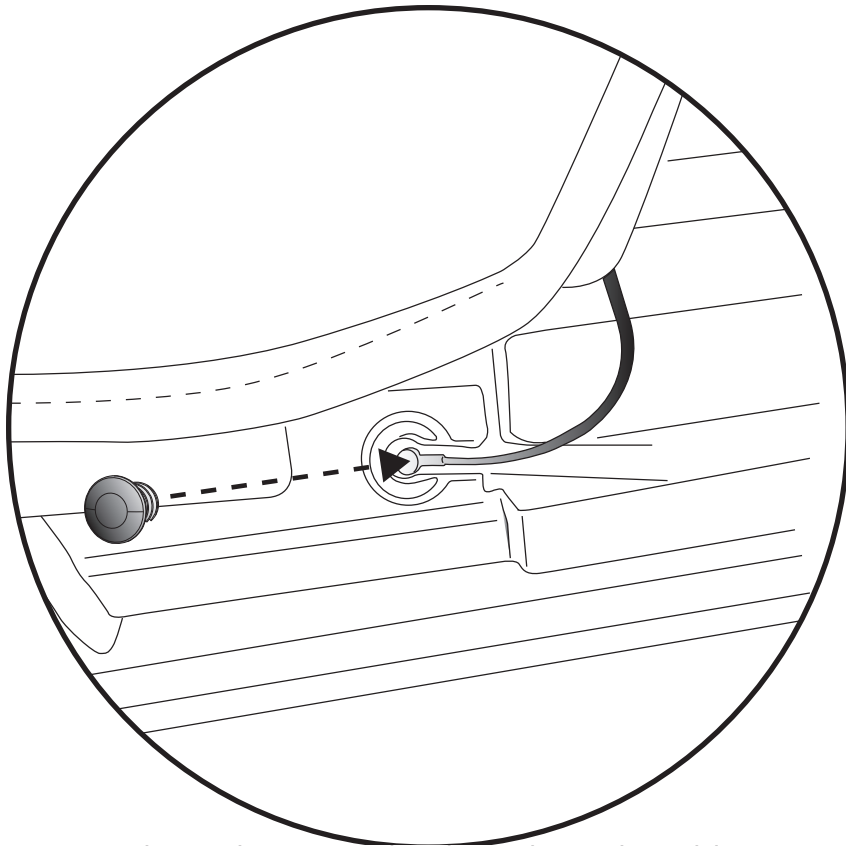
## Section 19 Attach Cable to Rear Door Rail



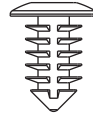
Find the cable located in the edge of the Fabric Assembly. Pull it down to the slot in the rear door rail then insert it into the slot.



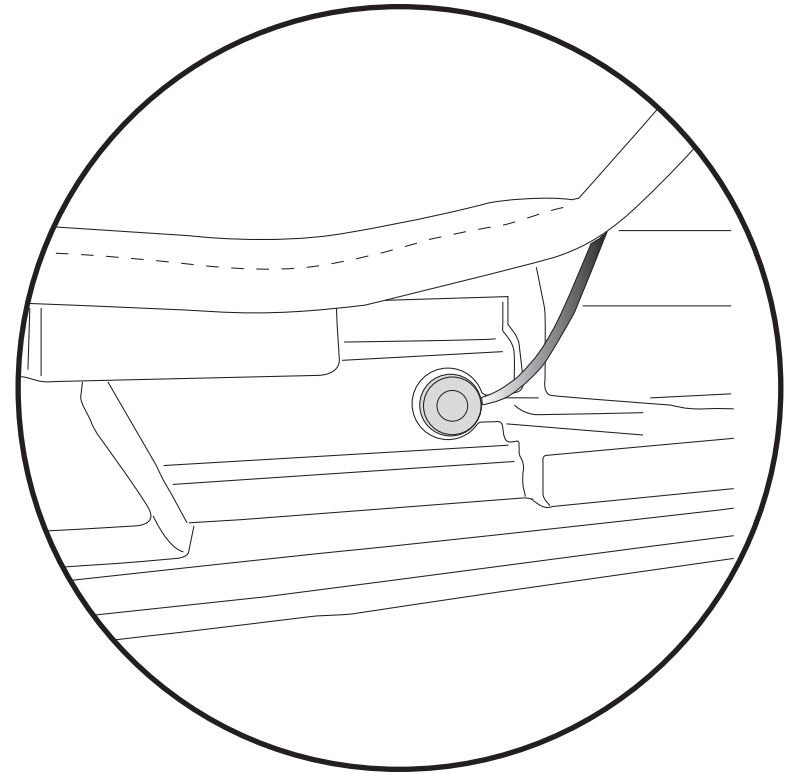
**Section 19** Attach Cable to Rear Door Rail (Cont.)



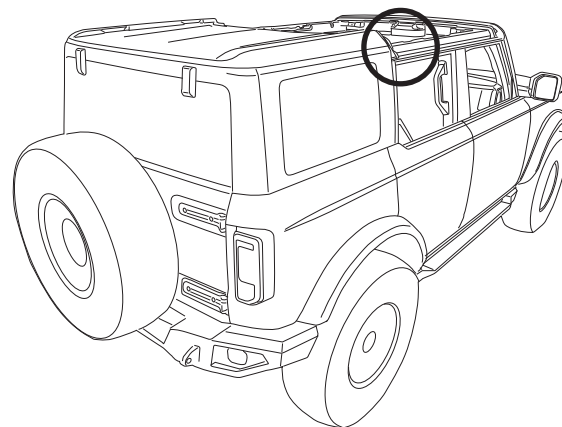
Parts



Push Pin  
Part #533.96  
Qty. 2



Press in the Push Pin into the slot to keep the cable secure.

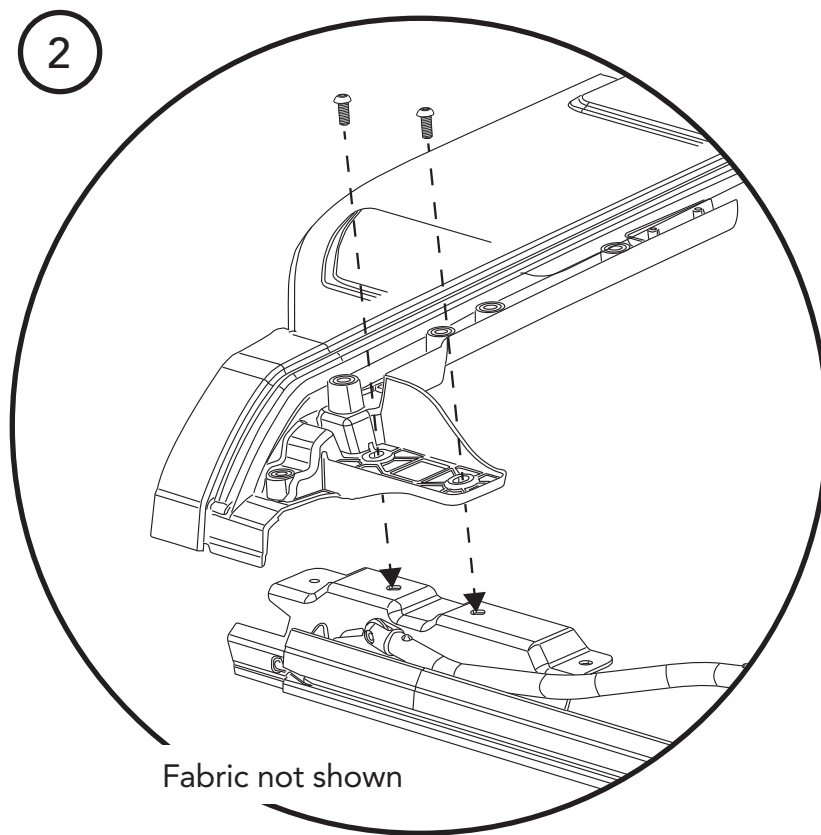
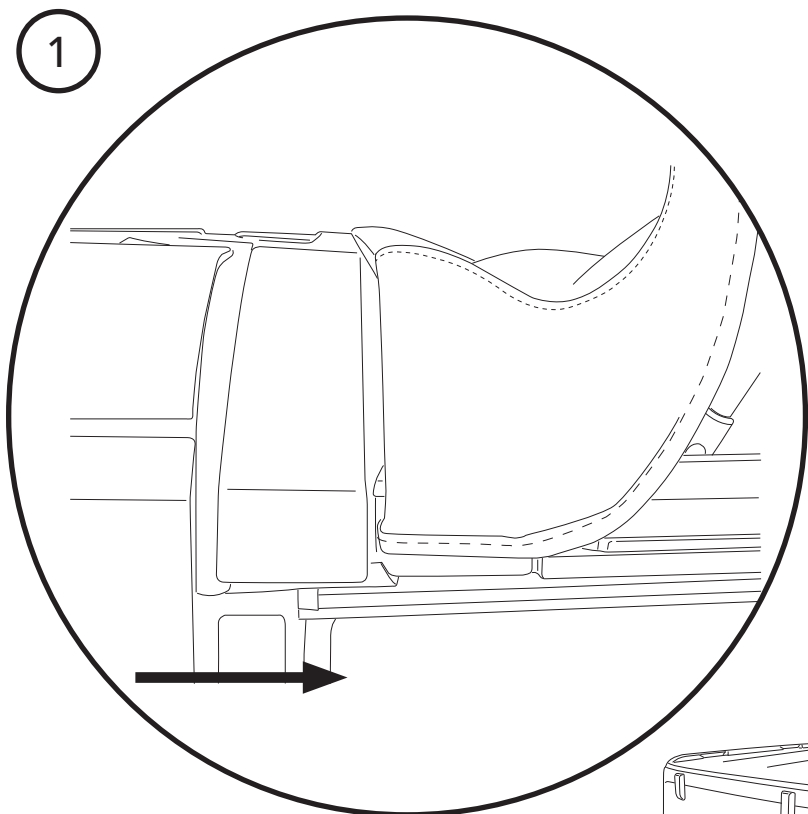


## Section 20 Move Rear Halo Forward and Attach to Vehicle.

### Tools

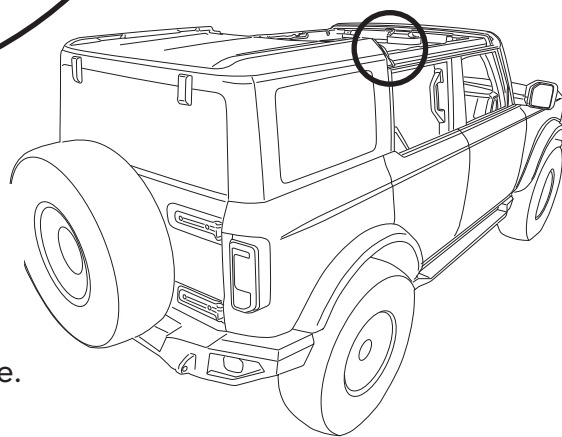


T40  
Torx Driver

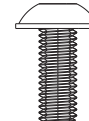


- 1 Move the Halo forward and down.
- 2 Attach the Halo to the Rear Door Rail using two (2) M8 x 20mm screws.

Repeat on the other side of the vehicle.



### Parts



Screw, M8 X 1.25 X 20mm  
Part #573.09  
Qty. 4  
T-40 Torx

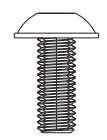
## Section 21 Attach Halo to Hardtop (Center).

### Tools

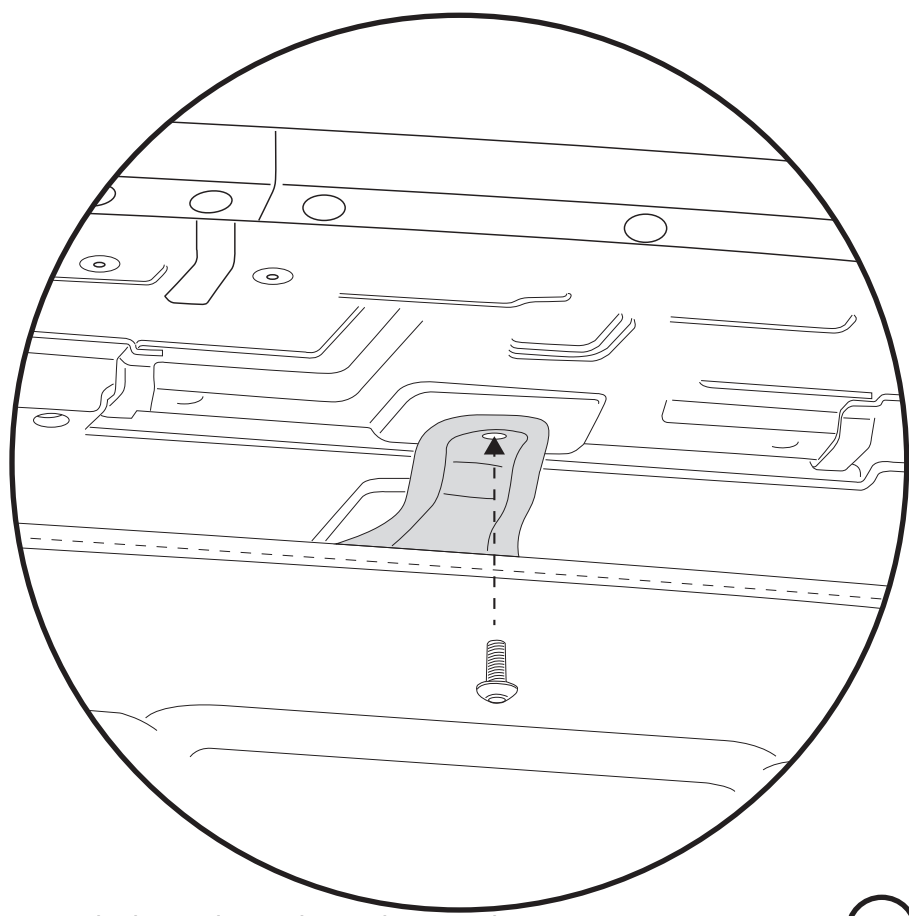


T40  
Torx Driver

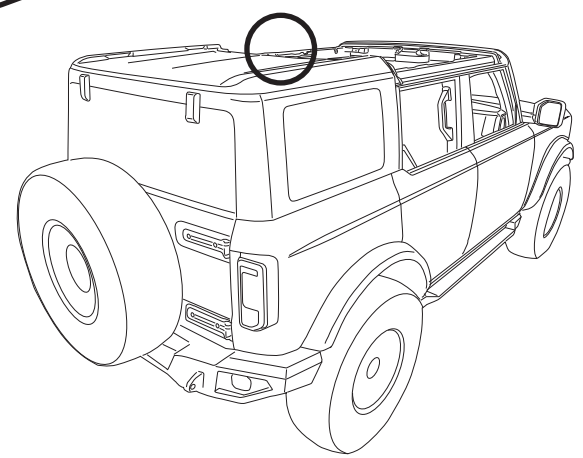
### Parts



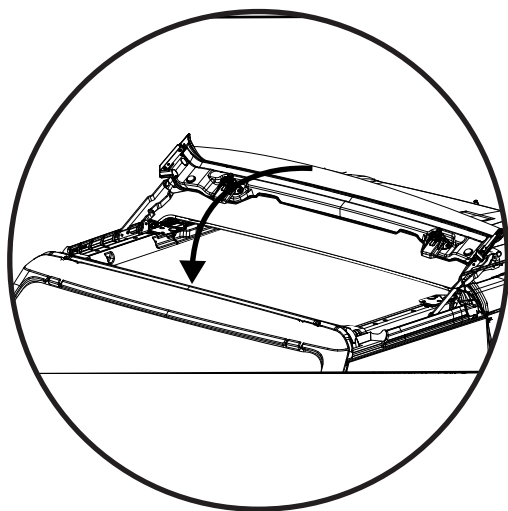
Screw, M8 X 1.25 X 20mm  
Part #573.09  
Qty. 1  
T-40 Torx



Attach the Halo to the Halo Attach Bracket (Installed on the hardtop in section 3) using one (1) of the M8 x 20mm Screws.



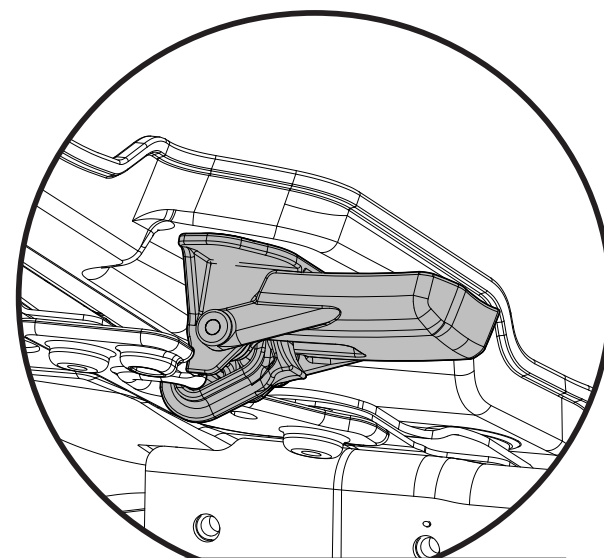
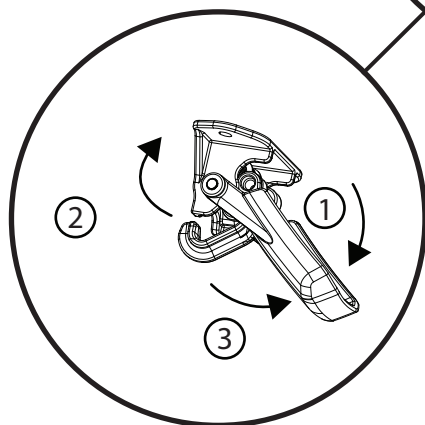
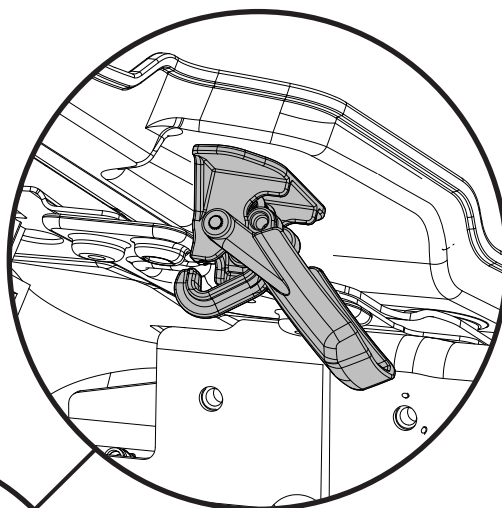
## Section 22 Close and Latch the Top



Fold the Sunrider forward.

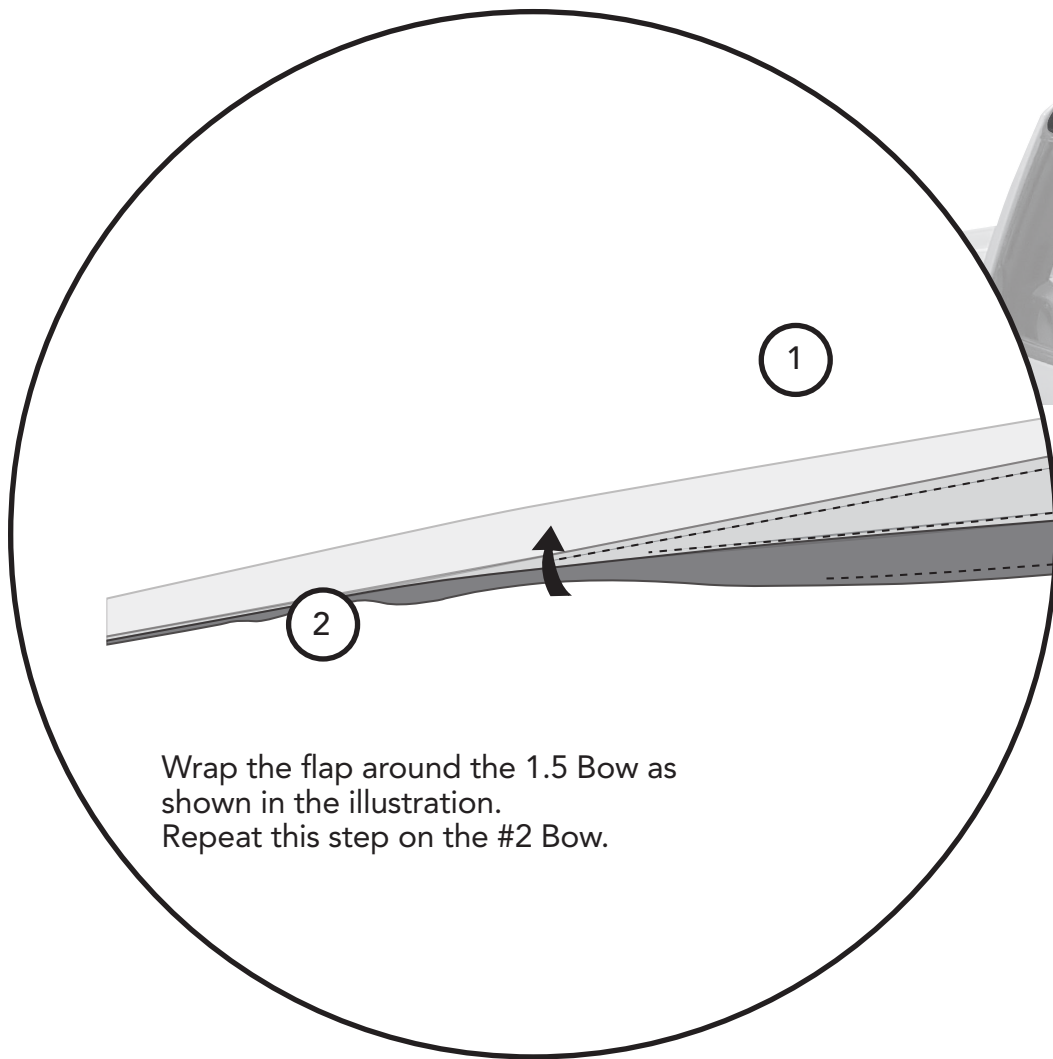
Secure both latches to the vehicle's windshield header.

- ① Pivot the latch handle down;
- ② Engage the hook;
- ③ Pivot the latch handle back up.

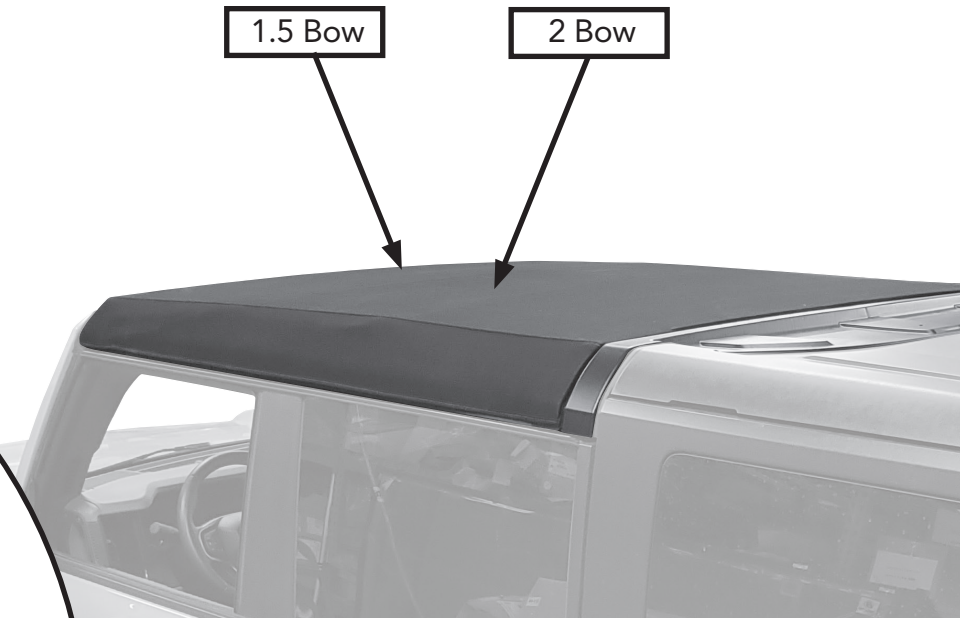


Latch in closed position

## Section 23 Attach Bow Flaps



Wrap the flap around the 1.5 Bow as shown in the illustration. Repeat this step on the #2 Bow.



### NOTE

Remember to reinstall the antenna.

## Congratulations

You have completed the installation of your Sunrider for Hardtop. We hope you enjoy many years of service with your new top.





## Warranty Information Sunrider for Hardtop

Vehicle Application:  
Ford Bronco 4 Door 2021-Current  
Part Number 52462

### WHAT BESTOP WARRANTS

Subject to the terms and conditions of sale, including any terms and conditions set forth by Bestop, Inc. ("Bestop" or "us" or "we") in our then-current terms of sale on our website (collectively, the "Terms"), Bestop represents and warrants that: the covered products listed in the "Covered Products and Warranty Periods" section (a "Product") will substantially be free from defects in materials and workmanship for the specified warranty periods set forth in that section.

### THE WARRANTY IS LIMITED AND CONDITIONAL

This warranty applies to the original purchaser of the Product only. The warranty is valid only as long as the original retail purchaser owns the vehicle upon which the Product is installed. The warranty expires should the Product be removed from the original vehicle or if the original vehicle is transferred to another owner.

This warranty is not transferable or assignable. The warranty does not apply to Product bought from auction-style or price-bid websites.

THE LIMITED WARRANTY AND STATED REMEDIES ARE SOLE AND EXCLUSIVE AND IN LIEU OF ALL OTHER WARRANTIES AND REMEDIES, AND COMPANY EXPRESSLY DISCLAIMS ALL IMPLIED OR STATUTORY OR OTHER WARRANTIES, INCLUDING WITHOUT LIMITATIONS WARRANTIES OF MERCHANTABILITY, NON-INFRINGEMENT OR FITNESS FOR A PARTICULAR PURPOSE. IN NO EVENT WILL COMPANY BE LIABLE FOR ANY SPECIAL, INCIDENTAL, CONSEQUENTIAL, PUNITIVE, INDIRECT OR EXEMPLARY DAMAGES OF ANY KIND, INCLUDING LOST PROFITS OR REVENUE, HOWEVER CAUSED, WHETHER FOR BREACH OR REPUDIATION OF CONTRACT, TORT, BREACH OF WARRANTY, NEGLIGENCE, OR OTHERWISE, WHETHER OR NOT COMPANY WAS ADVISED OF THE POSSIBILITY OF SUCH LOSS OR DAMAGES.

Some states do not allow exclusion or limitation, so this may not apply to you. This warranty gives you specific legal rights, and you may have other rights which vary from state to state.

### EXCLUSIONS TO THE WARRANTY

The Limited Warranty excludes, and Bestop is not liable in any way for any warranty claims, damages, or defects related to:

- Misuse, abuse, accidents, vandalism, negligence, fire, or improper installation or modification, or improper or inadequate maintenance;
- Failure to comply with any Product documentation, Bestop instructions, or applicable law or regulations; use in extreme conditions
- Force Majeure including but not limited to, earthquake, hurricane, tornado, flooding, or other disasters natural or man-made, civil unrest, strikes, declared or undeclared war, or lack of performance by, or discontinued product of, supply chain partners whose products, software, operations or management is beyond the control of Bestop;
- Damage resulting in breakage (including without limitation, spontaneous breakage, accidental breakage or breakage by any other means) of a Product or any component part;
- Damage to vinyl windows due to misuse, or cracking due to varying weather conditions.

### YOUR SOLE REMEDY

During the applicable warranty period, Bestop shall, at its option, either repair or replace any Product that it confirms, in its discretion, is non-compliant with the warranties herein. Bestop will not pay for labor charges associated with installation or removal of the Product. Should a specific Product be discontinued, Bestop may, at its option, replace the discontinued Product with a current product or like product.

Please retain your proof of purchase. Original proof of purchase for the Product must accompany any warranty claim. If you have a warranty claim, first you must email Bestop Customer Service at [csbestop@bestop.com](mailto:csbestop@bestop.com) for instructions. All claims must be emailed to [csbestop@bestop.com](mailto:csbestop@bestop.com) within 30 days of discovery of a defective Product, but in no event later than thirty days after the end of the applicable Warranty Period (the "Warranty Notice Period"). Warranty claims made after the Warranty Notice Period are null and void and Bestop shall have no responsibility with respect to such claims.

**THIS SECTION SETS FORTH BESTOP'S SOLE OBLIGATION & YOUR SOLE REMEDY WITH RESPECT TO ANY DEFECTS OR OTHER PRODUCT ISSUE. ANY PRODUCTS REPLACED UNDER TERMS OF THIS WARRANTY WILL BE COVERED UNDER TERMS & BALANCE OF THE DURATION OF THE ORIGINAL LIMITED WARRANTY FOR SUCH PRODUCT.**



## Warranty Information Sunrider for Hardtop

Vehicle Application:  
Ford Bronco 4 Door 2021-Current  
Part Number 52462

---

**COVERED PRODUCTS AND WARRANTY PERIODS:** The warranty time periods are as follows for Products manufactured by Bestop:

### **BESTOP® LIMITED LIFETIME WARRANTY**

Trektop® Pro Twill Fabric Top Sunrider® for Hardtop Twill Fabric Top  
Trektop® NX Glide Twill Fabric Top Replace-a-Top™ Twill Fabric Top  
Trektop® NX Twill Fabric Top Supertop® NX Twill Fabric Top  
EZFold™ Soft Tonneaus Floor & Cargo Liners  
ZipRail™ Soft Tonneaus Pet Barriers  
EZRoll™ Soft Tonneaus

---

### **BESTOP® 5-YEAR LIMITED WARRANTY**

Trektop® NX Glide™ Top (non-Twill) Sunrider® for Hardtop (non-Twill) Replace-a-Top™ Top (non-Twill) Trektop® NX Top (non-Twill)  
Sailcloth Replace-a-Top™ Supertop® NX Top (non-Twill)  
Tigertop™ and Halftop™ Supertop® Classic Soft Top Sunrider® Complete Soft Top Supertop® for Truck  
EZ Fold Hard Tonneau

---

### **BESTOP® 3-YEAR/100K MILES LIMITED WARRANTY**

Powerboard® & Powerboard® NX  
Trekstep®, Side Mount  
Trekstep®, Rear Mount

---

### **BESTOP® 3-YEAR LIMITED WARRANTY**

Pavement Ends Sprint Top

---

### **BESTOP® 2-YEAR LIMITED WARRANTY**

Trektop® Classic Soft Top  
RoughRider™ Soft Storage

---

### **BESTOP® 1-YEAR LIMITED WARRANTY**

All other Bestop® & Pavement Ends™ products not specified above.

---

For further information or request for warranty work, please contact:

Bestop Inc. Customer Service  
Toll-Free: (800)845-3567  
E-mail: [customerservice@Bestop.com](mailto:customerservice@Bestop.com)  
Website: [www.Bestop.com](http://www.Bestop.com)