

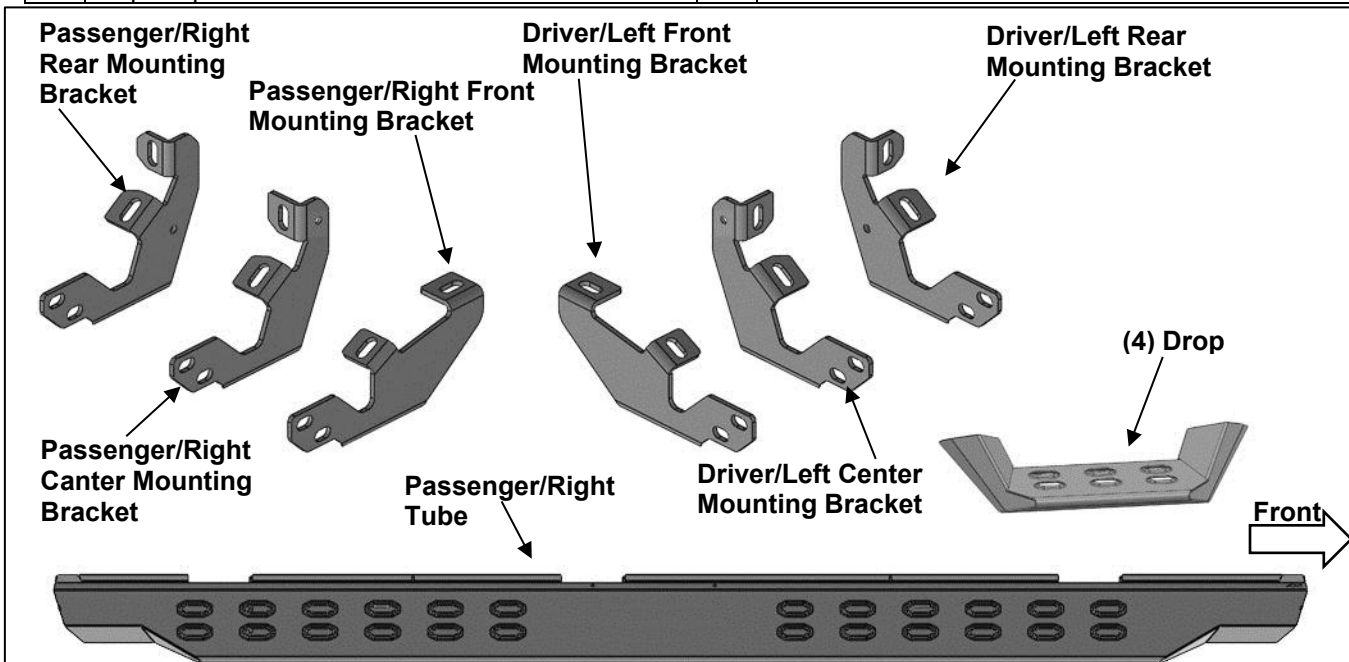
BARRICADE

INSTALLATION INSTRUCTIONS
HD OVERLAND DROP SIDE STEP BARS
2021-2023 BRONCO – 4 DOOR

SKU: FB20490

PARTS LIST:

1	Driver/Left Tube	24	10mm x 30mm Hex Bolts
1	Passenger/Right Tube	12	10mm x 27mm OD x 3mm Flat Washers
1	Driver/Left Front Mounting Bracket	24	10mm x 20mm OD x 2mm Flat Washers
1	Passenger/Right Front Mounting Bracket	12	10mm Lock Washers
1	Driver/Left Center Mounting Bracket	12	10mm Nylon Lock Nuts
1	Passenger/Right Center Mounting Bracket	8	8mm x 25mm Triangle Double Bolt Plates
1	Driver/Left Rear Mounting Bracket	16	8mm x 22mm OD x 2mm Flat Washers
1	Passenger/Right Rear Mounting Bracket	16	8mm Nylon Lock Nuts
4	Drop Steps		

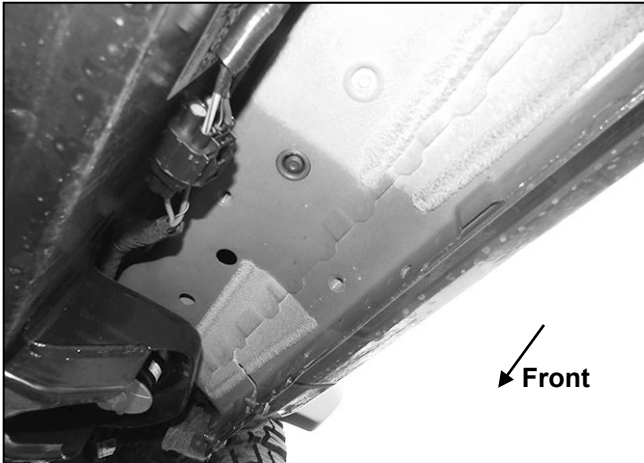


PROCEDURE: REMOVE CONTENTS FROM BOX. VERIFY ALL PARTS ARE PRESENT. READ INSTRUCTIONS CAREFULLY BEFORE STARTING INSTALLATION.

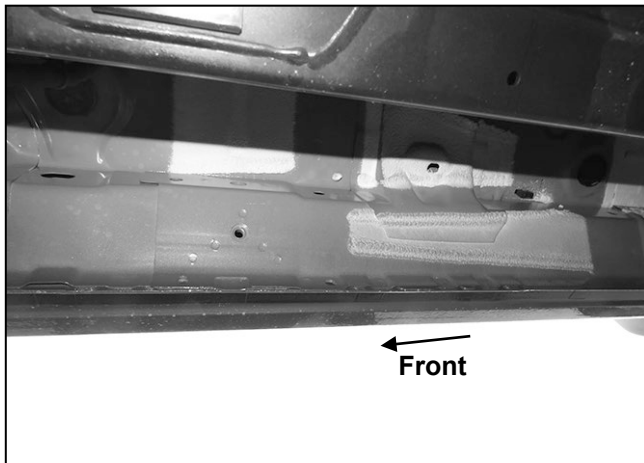
1. Starting from underneath the Passenger/Right body panel, locate the front mounting location and the threaded holes in the body panel, **(Figure 1)**. Remove the plastic plugs covering the holes.
2. Select the Passenger/Right Front Mounting Bracket. Attach the Mounting Bracket to the front location with (2) 10mm Hex Bolts, (2) 10mm Lock Washers and (2) 10mm x 27mm Flat Washers, **(Figure 2)**. Do not tighten hardware.
3. Repeat **Steps 2 & 4** to attach the Center Mounting Bracket and Rear Mounting Bracket to the center and rear locations, **(Figures 3—6)**. Do not tighten hardware. **NOTE:** The Center and Rear Mounting Brackets are similar but are unique. The Rear Mounting Brackets will have a small hole in the back, **(Figure 4)**.
4. Select the Passenger/Right Tube. Insert (2) 8mm Double Bolt Plates into the front (2) sets of (2) holes, **(Figure 7)**. Attach (1) Drop Step to the (2) 8mm Triangle Double Bolt Plates with (4) 8mm x 22mm Flat Washers and (4) 8mm Nylon Lock Nuts, **(Figure 8)**. Do not tighten hardware.
5. With assistance, line up the mounting tabs in the Passenger/Right Tube to the rear faces of the Mounting Brackets. Secure the Tube to the Mounting Brackets with (6) 10mm Hex Bolts, (12) 10mm x 20mm Flat Washers and (6) 10mm Nylon Lock Nuts, **(Figure 9)**. Do not tighten hardware.
6. Level and adjust the Overland Step, then tighten all hardware.
7. Repeat **Steps 1—7** to attach the Driver/Left Overland Step.
8. Do periodic inspections to the installation to make sure that all hardware is secure and tight.

To protect your investment: Do not use any type of polish or wax that may contain abrasives that could damage the finish. Mild soap may be used to clean the Overland Steps.

Passenger/Right side Installation Pictured

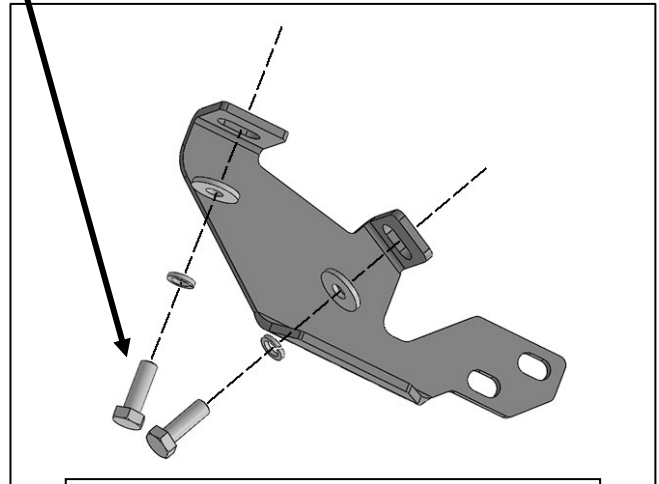


(Fig 1) Passenger/Right front mounting location



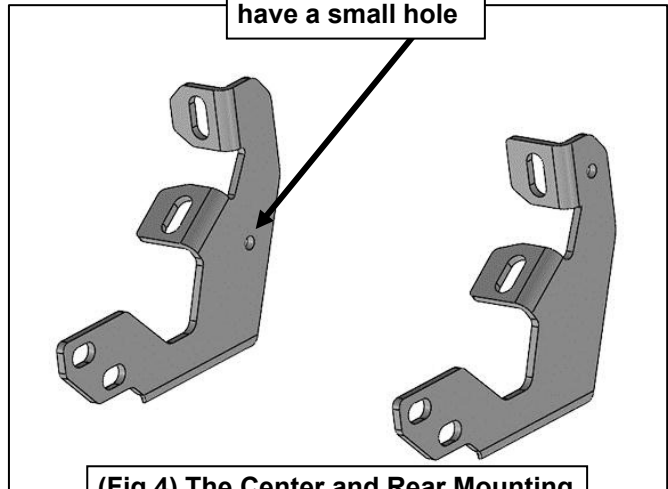
(Fig 3) Passenger/Right center mounting location

- (2) 10mm Hex Bolts
- (2) 10mm Lock Washers
- (2) 10mm x 27mm Flat Washers



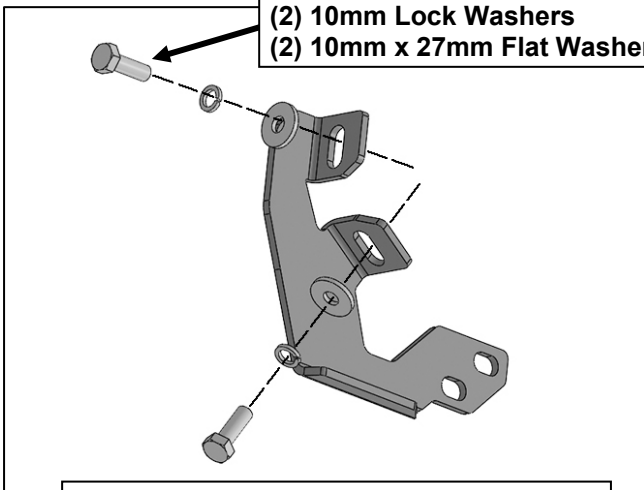
(Fig 2) Attach the Passenger/Right Front Mounting Bracket to the front location

The Rear Brackets have a small hole



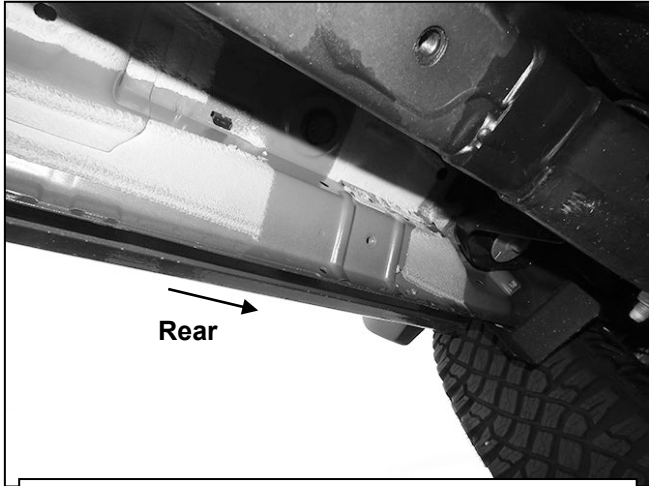
(Fig 4) The Center and Rear Mounting Brackets are similar but are unique

- (2) 10mm Hex Bolts
- (2) 10mm Lock Washers
- (2) 10mm x 27mm Flat Washers



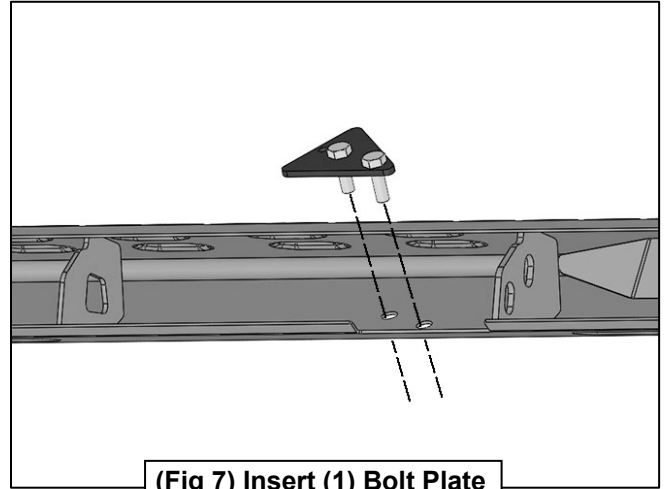
(Fig 5) Attach (1) Passenger/Right Center Mounting Bracket to the center location

Passenger/Right side Installation Pictured

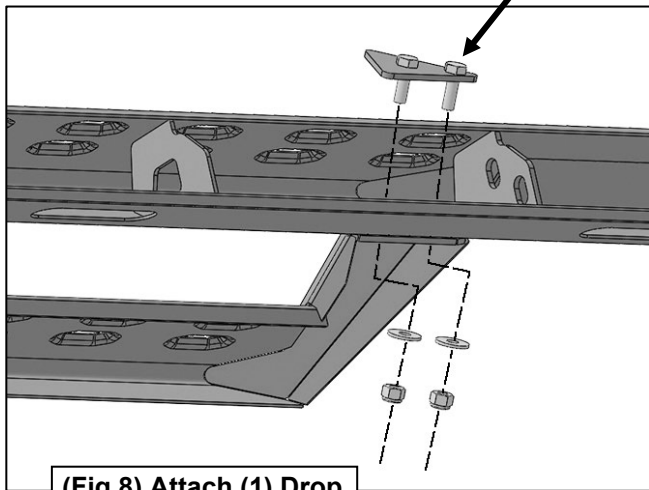


(Fig 6) Passenger/Right rear mounting location

- 8mm Bolt Plate
- (2) 8mm Flat Washers
- (2) 8mm Nylon Lock Nuts

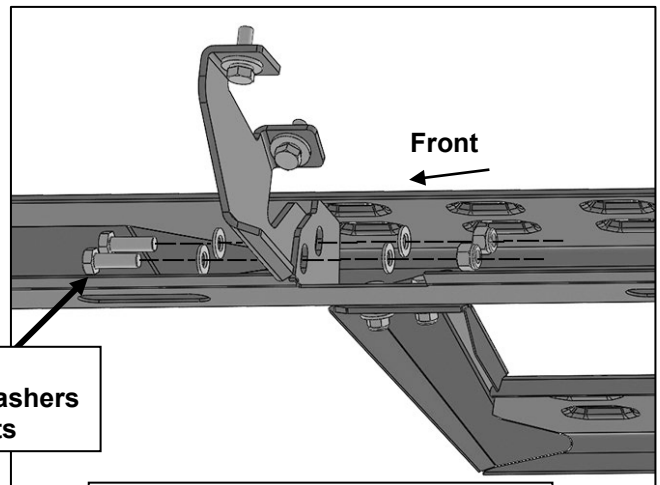


(Fig 7) Insert (1) Bolt Plate into the holes in the Tube



(Fig 8) Attach (1) Drop Step to (2) Bolt Plates

- (2) 10mm Hex Bolts
- (4) 10mm x 20mm Flat Washers
- (2) 10mm Nylon Lock Nuts



(Fig 9) Attach the Passenger/Right Tube to the Mounting Brackets