

# **BARRICADE**

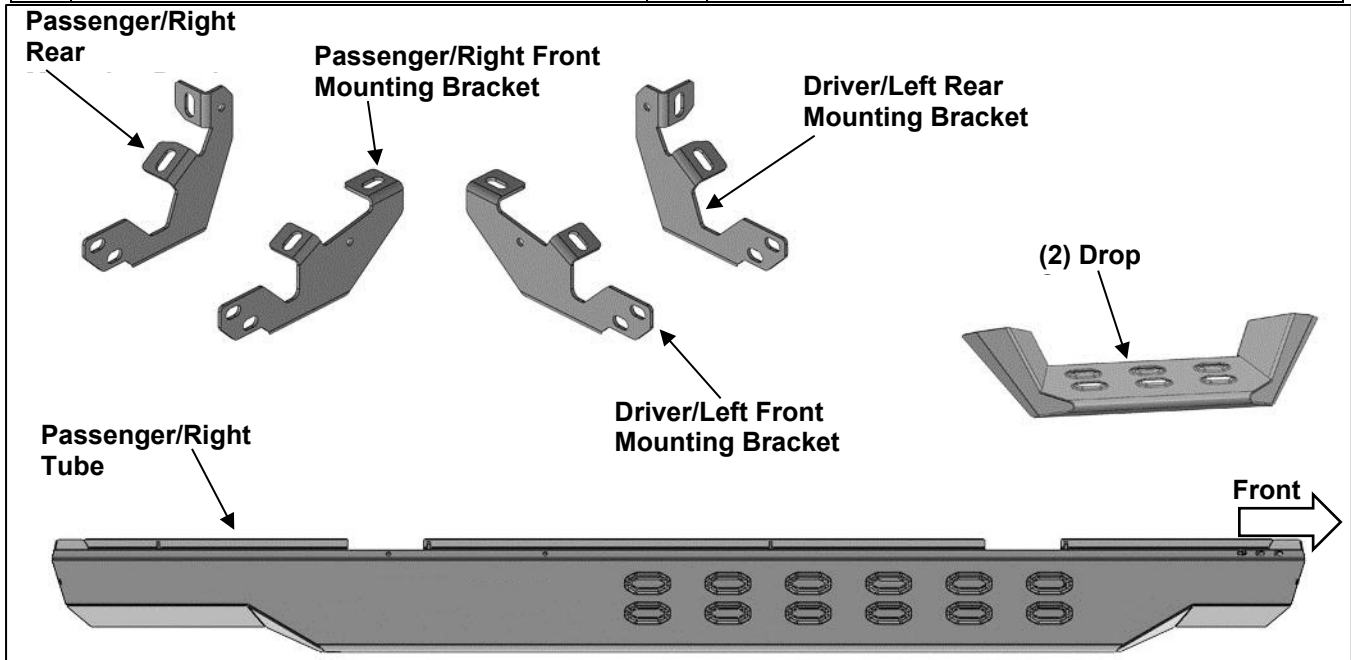
**INSTALLATION INSTRUCTIONS  
HD OVERLAND DROP SIDE STEP BARS**

**2021-2023 BRONCO 2 DOOR**

**SKU # FB20489**

**PARTS LIST:**

1	Driver/Left Tube	8	10mm x 27mm OD x 3mm Flat Washers
1	Passenger/Right Tube	16	10mm x 20mm OD x 2mm Flat Washers
2	Drop Steps	8	10mm Lock Washers
1	Driver/Left Front Mounting Bracket	8	10mm Nylon Lock Nuts
1	Passenger/Right Front Mounting Bracket	4	8mm Triangle Double Bolt Plates
1	Driver/Left Rear Mounting Bracket	8	8mm x 22mm OD x 2mm Flat Washers
1	Passenger/Right Rear Mounting Bracket	8	8mm Nylon Lock Nuts
16	10mm x 30mm Hex Bolts		

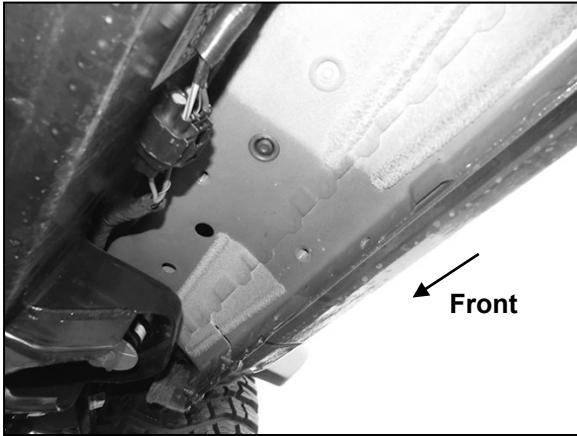


**PROCEDURE:**

- 1. REMOVE CONTENTS FROM BOX. VERIFY ALL PARTS ARE PRESENT. READ INSTRUCTIONS CAREFULLY BEFORE STARTING INSTALLATION.**
- Starting from underneath the Passenger/Right body panel, locate the front mounting location and the threaded holes in the body panel, **(Figure 1)**. Remove the plastic plugs covering the holes.
- Select the Passenger/Right Front Mounting Bracket. Attach the Mounting Bracket to the front location with (2) 10mm Hex Bolts, (2) 10mm Lock Washers and (2) 10mm Flat Washers, **(Figure 2)**. Do not tighten hardware.
- Repeat **Steps 2 & 4** to attach (1) Rear Mounting Bracket to the rear location, **(Figures 3 & 4)**. Do not tighten hardware.
- Select the Passenger/Right Tube. Insert (2) 8mm Triangle Double Bolt Plates into the front (2) sets of (2) holes, **(Figure 5)**. Attach (1) Drop Step to the (2) Double Bolt Plates with (4) 8mm x 22mm Flat Washers and (4) 8mm Nylon Lock Nuts, **(Figure 6)**. Do not tighten hardware.
- With assistance, line up the mounting tabs in the Passenger/Right Tube to the rear faces of the Mounting Brackets. Secure the Tube to the Mounting Brackets with (4) 10mm Hex Bolts, (8) 10mm x 20mm Flat Washers and (4) 10mm Nylon Lock Nuts, **(Figure 7)**. Do not tighten hardware.
- Level and adjust the Overland Step, then tighten all hardware.
- Repeat **Steps 1—7** to attach the Driver/Left Overland Step.
- Do periodic inspections to the installation to make sure that all hardware is secure and tight.

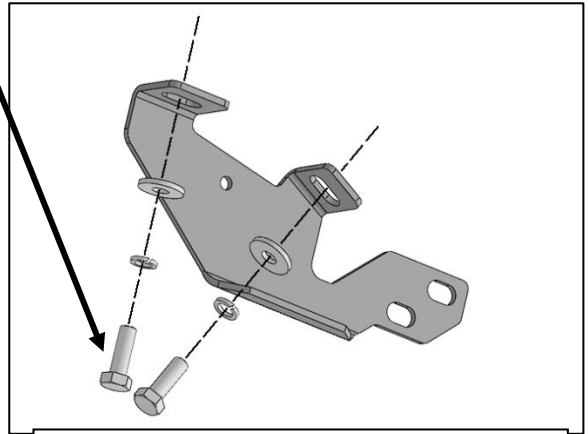
**To protect your investment:** Do not use any type of polish or wax that may contain abrasives that could damage the finish. Mild soap may be used to clean the Overland Sliders.

### Passenger/Right Side Installation Pictured

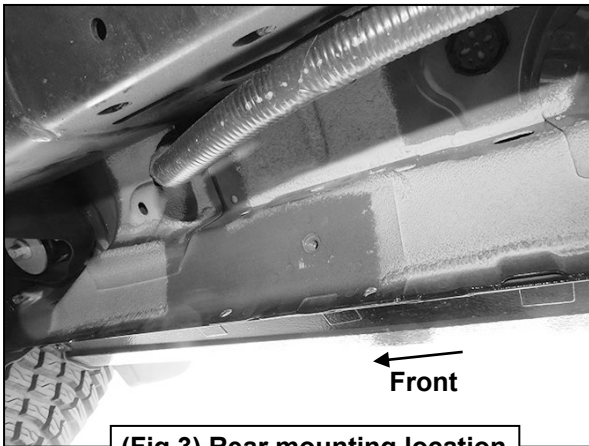


(Fig 1) Passenger/Right front mounting location

- (2) 10mm Hex Bolts
- (2) 10mm Lock Washers
- (2) 10mm x 27mm Flat Washers

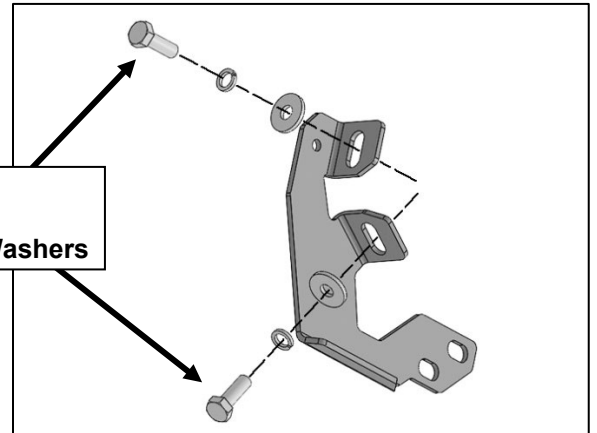


(Fig 2) Attach the Passenger/Right Front Mounting Bracket to the front location



(Fig 3) Rear mounting location  
(Driver/Left side shown)

- (2) 10mm Hex Bolts
- (2) 10mm Lock Washers
- (2) 10mm x 27mm Flat Washers



(Fig 4) Attach (1) Passenger/Right Rear Mounting Bracket to the rear location

### Passenger/Right Side Installation Pictured

