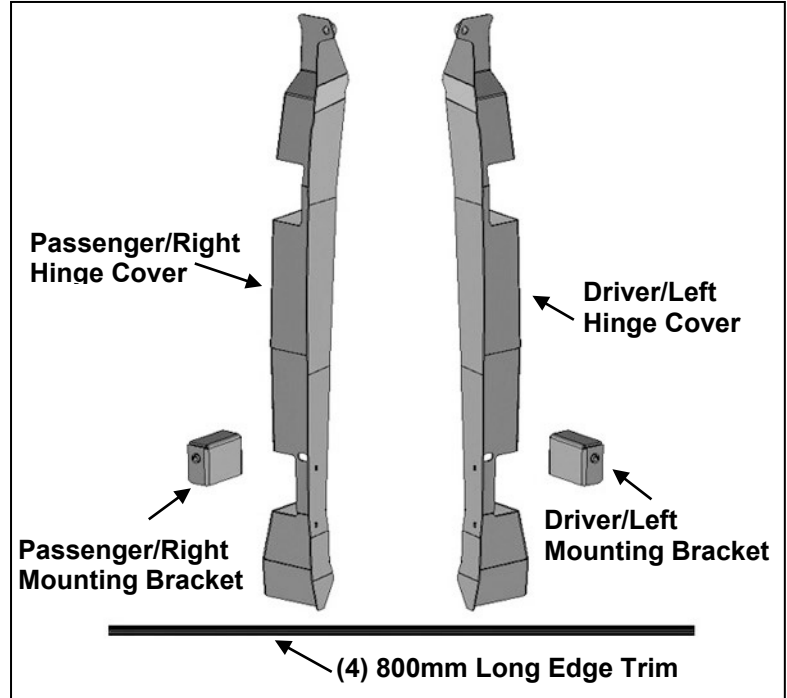


PARTS LIST:

1	Driver/Left Hinge Cover
1	Passenger/Right Hinge Cover
4	800mm Edge Trim
1	Driver/Left Lower Mounting Bracket
1	Passenger/Right Lower Mounting Bracket
2	6mm x 35mm Button Head Bolts
2	6mm x 25mm Button Head Bolts
4	6mm x 18mm x 1.6mm Flat Washers
4	6mm Lock Washers
1	4mm Allen Wrench



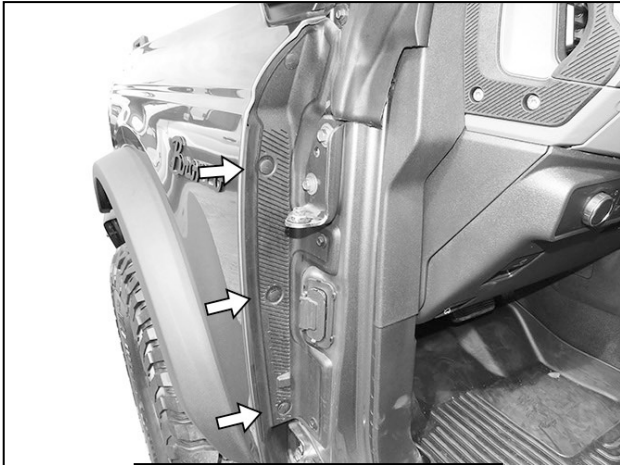
PROCEDURE:

REMOVE CONTENTS FROM BOX. VERIFY ALL PARTS ARE PRESENT. READ INSTRUCTIONS CAREFULLY BEFORE STARTING INSTALLATION. ASSISTANCE IS RECOMMENDED.

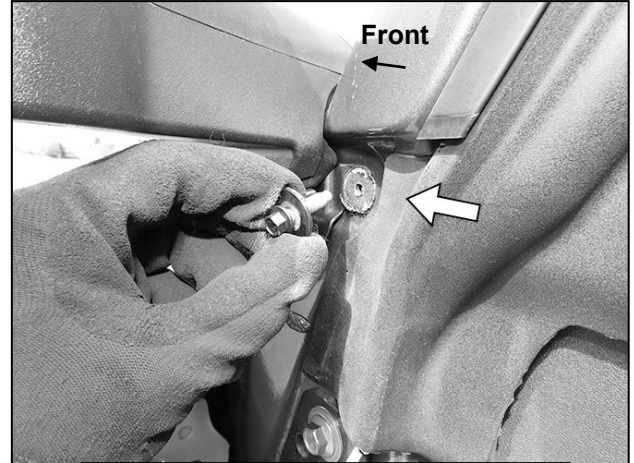
1. Start installation at the driver/left front door. Remove the cover from the back of the fender, **(Figure 1)**.
2. Remove the hex bolt attaching the top of the fender below/behind the outer mirror, **(Figure 2)**.
3. Select the driver/left Front Mounting Bracket. Reuse the factory hex bolt to attach the Bracket to the threaded hole in the body, **(Figures 3 & 4)**.
4. Carefully unwrap the driver/left Front Hinge Cover. Cover the top, bottom, inner and outer edges of the Cover with the included Edge Trim, **(Figure 5)**. **NOTE:** Apply Edge Trim to all body and fender contact areas. Cut Edge Trim to fit. Place cover over hinges and check fit of cover and coverage of Edge Trim. Line up Bracket with hole in Cover, **(Figure 6)**.
5. Attach top of Cover to threaded hole in body with the included longer (1) 6mm x 35mm Button Head Bolt, (1) 6mm Lock Washer and (1) 6mm Flat Washer, **(Figure 7)**. Attach the bottom of the Cover to the Front Mounting Bracket with (1) 6mm x 25mm Button Head Bolt, (1) 6mm Lock Washer and (1) 6mm Flat Washer, **(Figure 8)**. Adjust the Cover and Bracket to fit properly and fully tighten all hardware, **(Figure 9)**.
6. Repeat **Steps 1—5** to install the passenger/right Hinge Covers.
7. Do periodic inspections to the installation to make sure that all hardware is secure and tight.

To protect your investment: Do not use any type of polish or wax that may contain abrasives that could damage the finish. Mild soap may be used to clean the Hinge Covers.

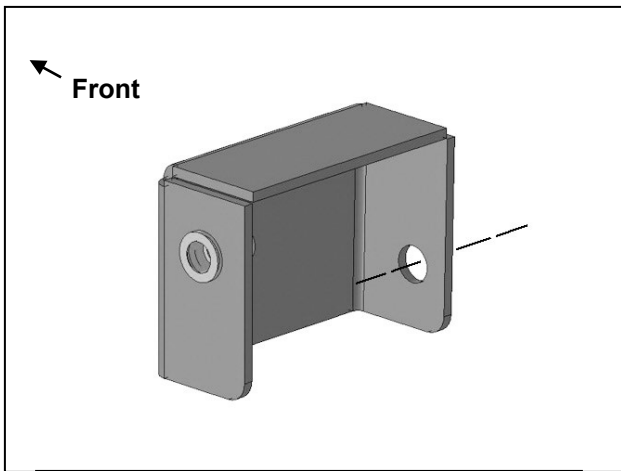
Driver/Left Side Installation Pictured



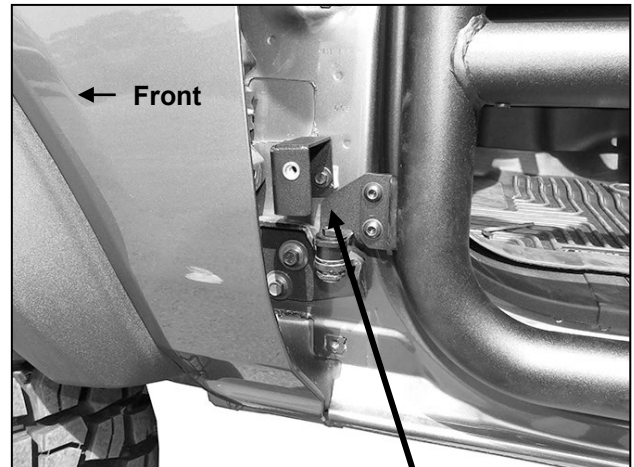
(Fig 1) Remove cover from back of fender (arrows)



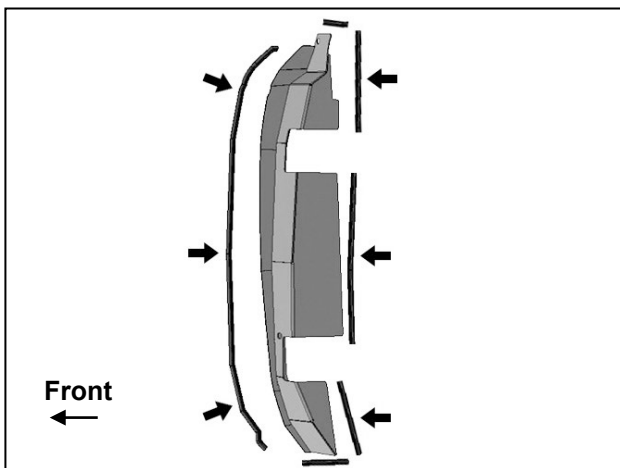
(Fig 2) Remove top fender bolt below/behind outside mirror (arrow)



(Fig 3) Driver/left Front Mounting Bracket

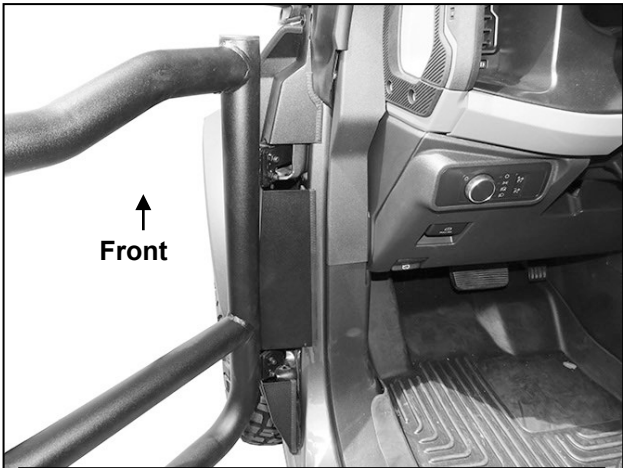


(Fig 4) Reuse the factory hex bolt to attach the driver/left Front Mounting Bracket



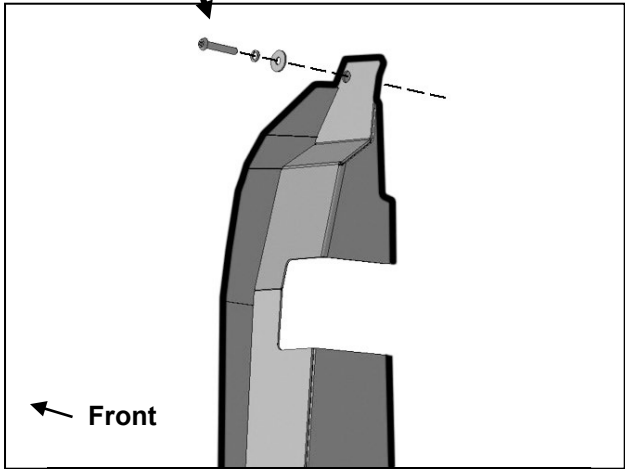
(Fig 5) Attach the included Edge Trim to all contact areas on Hinge Cover. Cut Trim to fit

Driver/Left Side Installation Pictured



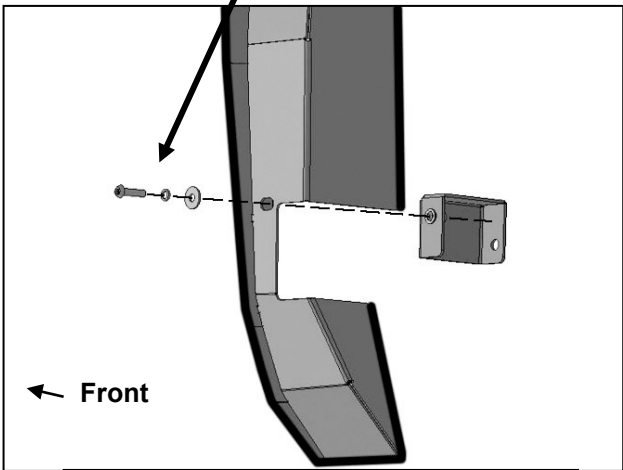
(Fig 6) Check fit of Edge Trim on cover. Line up Mounting Bracket with hole in Cover

**6mm x 35mm Button
Head Bolt
6mm Lock Washer
6mm Flat Washer**



(Fig 7) Attach top of Front Cover to body

**6mm x 25mm Button
Head Bolt
6mm Lock Washer
6mm Flat Washer**



**(Fig 8) Attach bottom of driver/left
Front Cover to Front Mounting Bracket**



**(Fig 9) Adjust fit of Cover and
fully tighten all hardware**