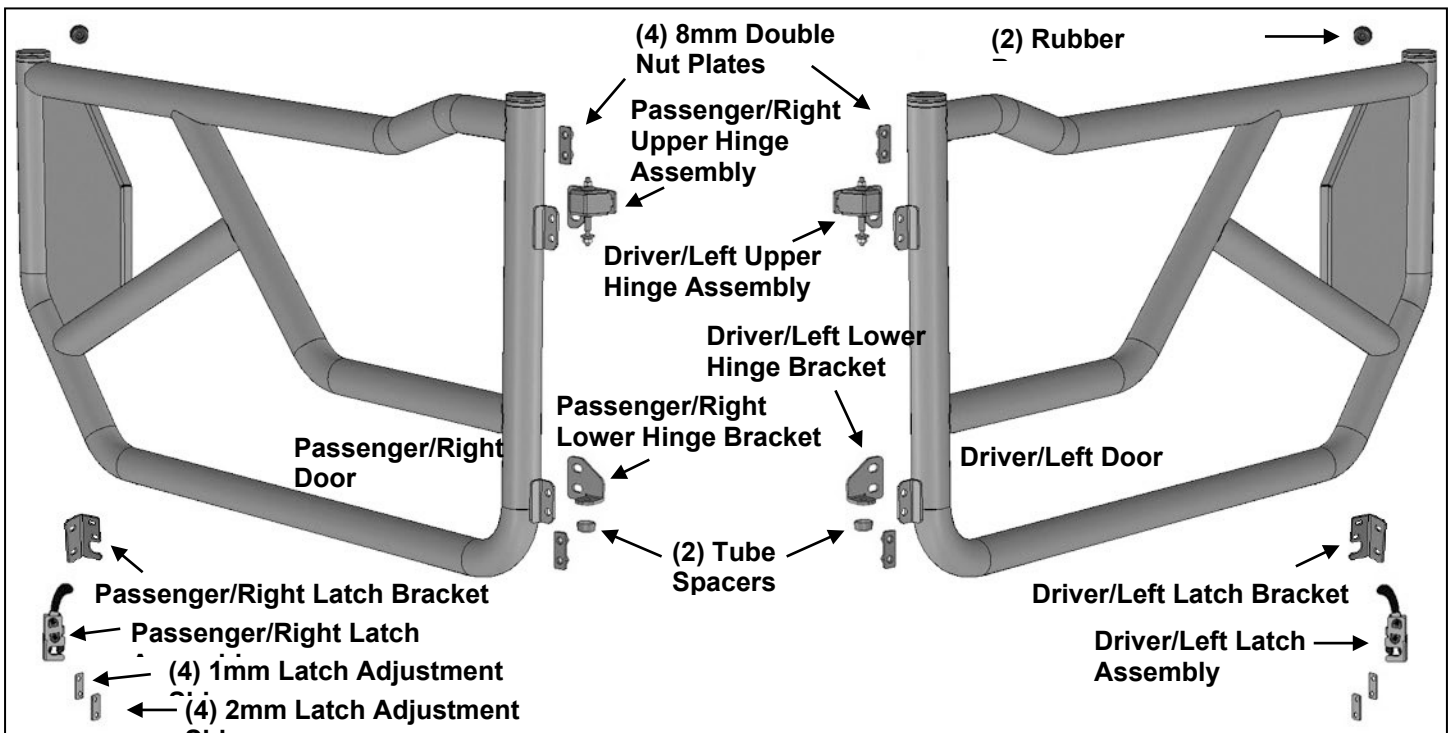


PARTS LIST:

1	Driver/Left Front Door	8	8mm x 25mm Button Head Bolts
1	Passenger/Right Front Door	2	8mm x 25mm Hex Bolts
1	Driver/Left Upper Hinge Assembly	2	8mm x 24mm x 2mm Flat Washers
1	Passenger/Right Upper Hinge Assembly	8	8mm x 16mm x 1.6mm Flat Washers
1	Driver/Left Lower Hinge Bracket	10	8mm Lock Washers
1	Passenger/Right Lower Hinge Bracket	8	6mm x 25mm Button Head Bolts
2	Rubber Bumpers	20	6mm x 18mm x 1.6mm Flat Washers
1	Driver/Left Latch Assembly	6	6mm Lock Washers
1	Passenger/Right Latch Assembly	4	6mm Nylon Lock Nuts
1	Driver/Left Latch Bracket	2	6mm Hex Nuts
1	Passenger/Right Latch Bracket	2	4mm x 20mm Button Head Bolts
4	1mm Latch Mounting Shims	2	4mm x 8.65mm x 0.8mm Flat Washers
4	2mm Latch Mounting Shims	1	5mm Allen Wrench
2	26mm x 23mm x 10mm Tube Spacers	1	4mm Allen Wrench
4	8mm Double Nut Plates	1	2.5mm Allen Wrench



PROCEDURE:

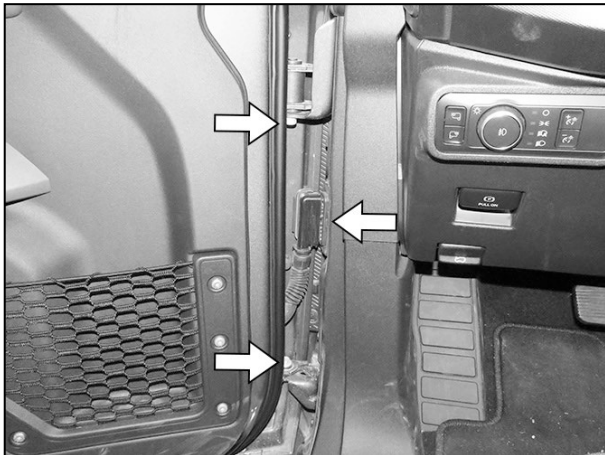
REMOVE CONTENTS FROM BOX. VERIFY ALL PARTS ARE PRESENT. READ INSTRUCTIONS CAREFULLY BEFORE STARTING INSTALLATION. ASSISTANCE IS RECOMMENDED.

1. Start installation at the driver/left front door. Unplug the wiring harness leading to the door, **(Figure 1)**.
2. Remove the hardware attaching the top and bottom hinges to the door frame and remove the door, **(Figure 1)**. Refer to owner's manual for full door removal instructions.
3. Carefully unwrap the driver/left Tubular Door assembly. Select (1) Rubber Bumper. Attach the Rubber Bumper to the threaded hole in the top corner of the door with the included (1) 4mm Button Head Screw and (1) 4mm Flat Washer, **(Figure 2)**. Do not fully tighten hardware at this time.

4. Select the driver/left Latch Mounting Bracket. Attach the Bracket to the Door Assembly with the included (2) 6mm x 25mm Button Head Bolts, (4) 6mm Flat Washers and (2) 6mm Nylon Lock Nuts, **(Figures 2 & 3)**. Do not fully tighten hardware at this time.
5. Attach the driver/left Latch Assembly to the outside of the Mounting Bracket with the included (2) 6mm x 25mm Button Head Bolts, (2) 6mm Lock Washers and (2) 6mm Flat Washers, **(Figure 4)**. Do not fully tighten hardware at this time.
6. Select the driver/left Upper Hinge Assembly. Attach the Hinge Assembly to the outside of the mounting tab on the Door Assembly with the included (2) 8mm x 25mm Button Head Bolts, (2) 8mm Lock Washers, (2) 8mm Flat Washers and (1) 8mm Double Nut Plate, **(Figure 5)**. Do not fully tighten hardware.
7. Next, select the driver/left Lower Hinge Bracket. Attach the Bracket to the outside of the lower mounting tab on the Door Assembly with the included (2) 8mm x 25mm Button Head Bolts, (2) 8mm Lock Washers, (2) 8mm Flat Washers and (1) 8mm Double Nut Plate, **(Figure 6)**. Do not fully tighten hardware.
8. Select (1) Tube Spacer. Place the Tube Spacer over the lower hinge mount on the door frame, **(Figures 7 & 8)**.
9. Carefully hold the door in place over the hinges on the vehicle. Guide the Upper Hinge Pin down and into the hinge. Secure the Hinge Pin to the hinge with (1) 6mm Flat Washer, (1) 6mm Lock Washer and (1) 6mm Hex Nut, **(Figure 9)**. Leave Hex Nut loose at this time.
10. Attach the bottom Hinge Bracket to the top of the lower hinge and Tube Spacer with the included (1) 8mm x 25mm Hex Bolt, (1) 8mm Lock Washer and (1) 8mm x 25mm Flat Washer, **(Figure 9)**. Do not fully tighten hardware at this time.
11. Open and close the door a few times to center the hinge pins in the hinges. Center the Door assembly in the opening in the vehicle. Adjust as necessary and fully tighten Hinge to Door hardware only.
12. Place the included 6mm Flat Washers between the Rubber Bumper and the Tube Door to adjust the Door in or out as necessary, **(Figures 10 & 11)**.
13. Adjust the position of the Latch assembly outward in the slots as far as possible. Snug but do not fully tighten hardware. Slowly close the door and check to see if the Latch is lined up with the center of the striker. Insert the included Thick and/or Thin Shims as necessary between the Latch and the Bracket to line up Latch with striker, **(Figure 12)**.
14. Adjust the Latch up or down to line up with striker, **(Figure 13)**. **IMPORTANT:** Make sure Latch will fully close and open properly before fully tightening Latch hardware. Check to see that the latch fully closes then gradually move the latch in toward the door to tighten up the door and fully tighten all hardware, **(Figure 14)**.
15. Once Door is fully adjusted, tighten the top 6mm Hex Nut and bottom 8mm Hex Bolt hardware on the Hinges until there is slight resistance in the door operation, **(Figures 15 & 16)**.
16. Repeat **Steps 1—15** to install the passenger/right Door assembly.
17. Do periodic inspections to the installation to make sure that all hardware is secure and tight.

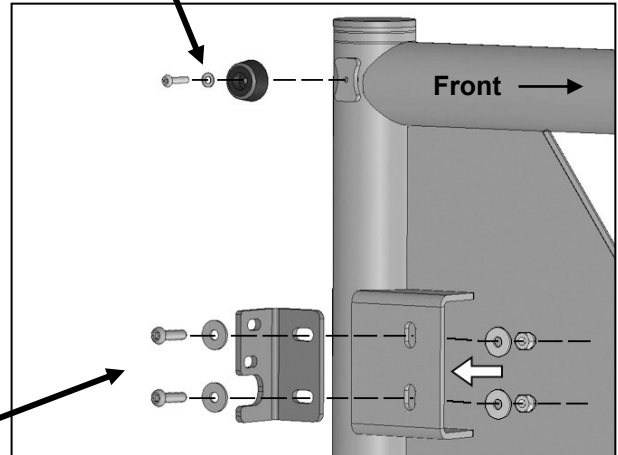
To protect your investment: Do not use any type of polish or wax that may contain abrasives that could damage the finish. Mild soap may be used to clean the Doors.

Driver/Left Side Installation Pictured



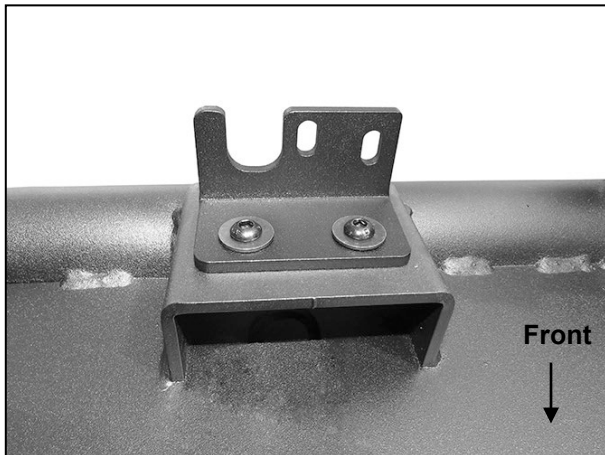
(Fig 1) Unplug wiring harness leading to door. Remove hardware attaching door to vehicle (arrows)

**4mm Button Head Screw
4mm Flat Washer**



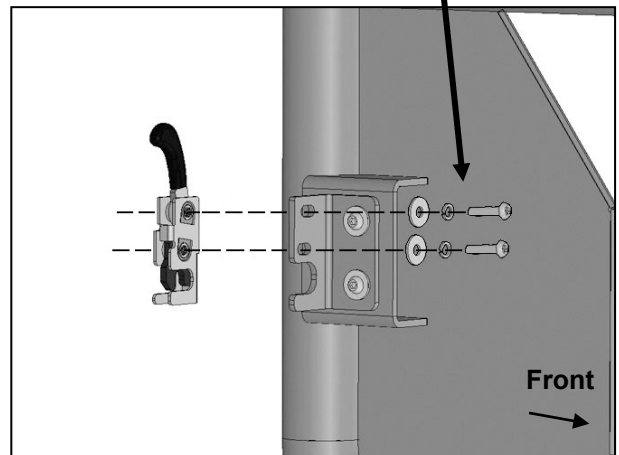
(Fig 2) Attach Rubber Bumper to top of Tubular Door. Attach driver/left Latch Mounting Bracket to Door

**(2) 6mm x 25mm Button Head Bolts
(4) 6mm Flat Washers
(2) 6mm Nylon Lock Nuts**



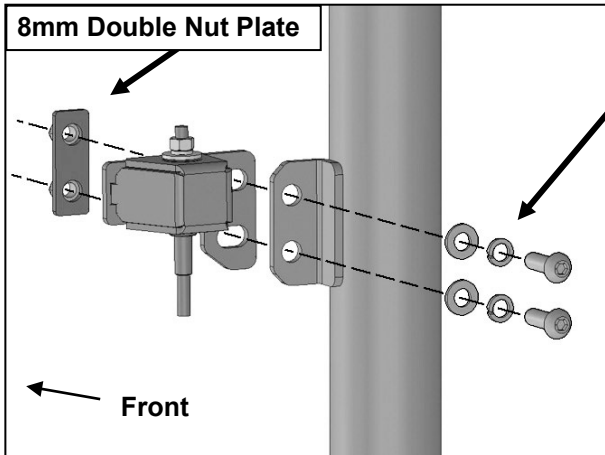
(Fig 3) Driver/left Latch Bracket installed

**(2) 6mm x 25mm Button Head Bolts
(2) 6mm Lock Washers
(2) 6mm Flat Washers**

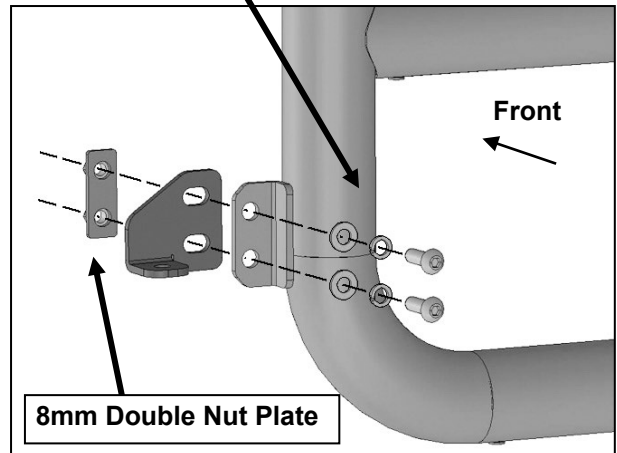


(Fig 4) Attach driver/left Latch Assembly to Latch Bracket.

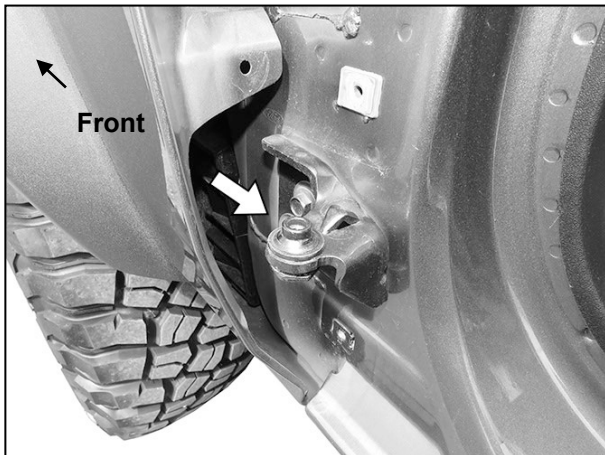
Driver/Left Side Installation Pictured



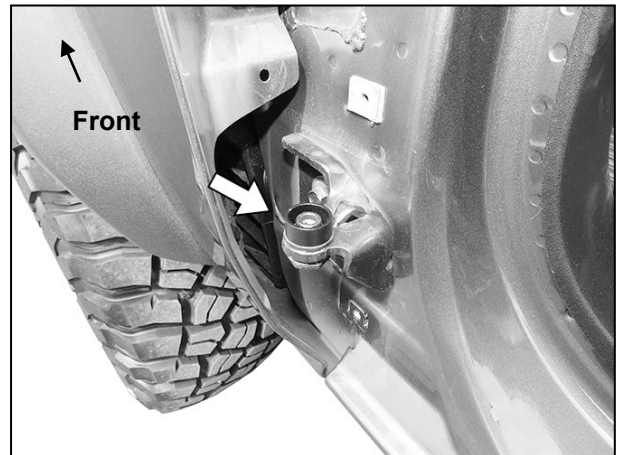
(Fig 5) Attach driver/left Upper Hinge Assembly to mounting tab on back of Door



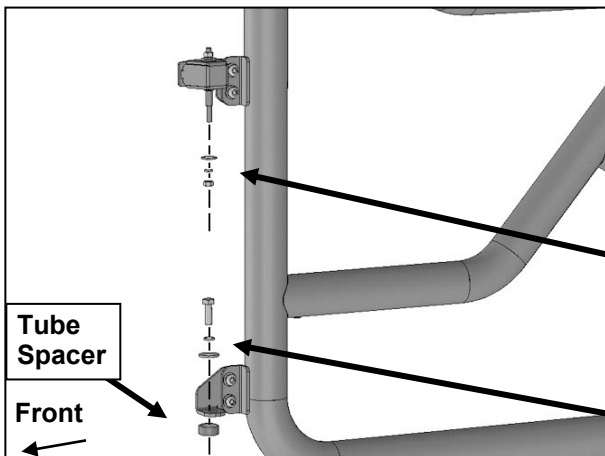
(Fig 6) Attach driver/left Lower Hinge Bracket to mounting tab on back of Door



(Fig 7) Driver/left lower hinge post on vehicle

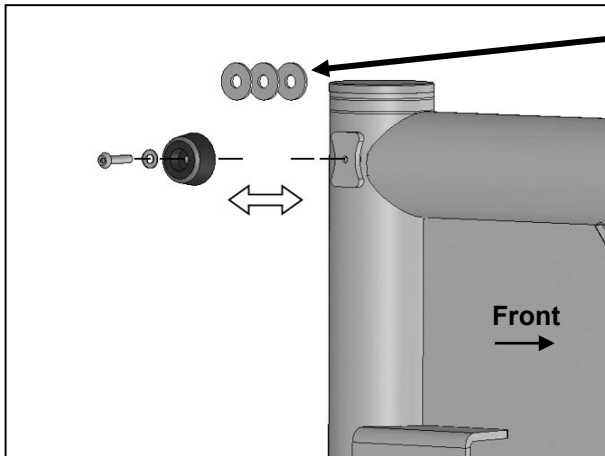


(Fig 8) Slide Tube Spacer onto hinge post (arrow)

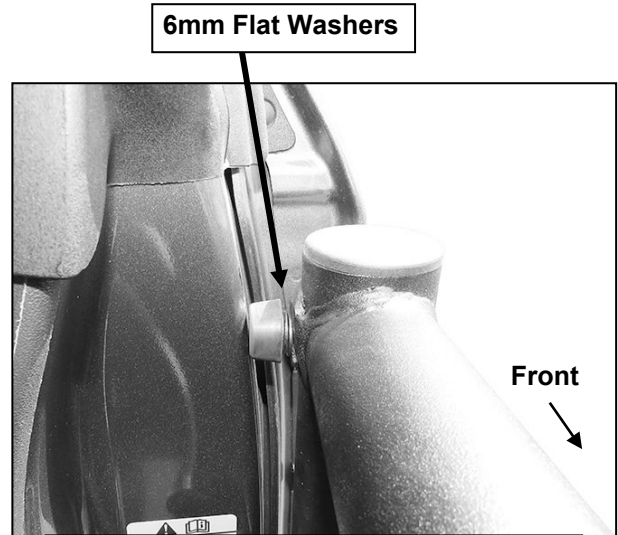


(Fig 9) Lift door, guide Upper Hinge Pin down through hinge on vehicle

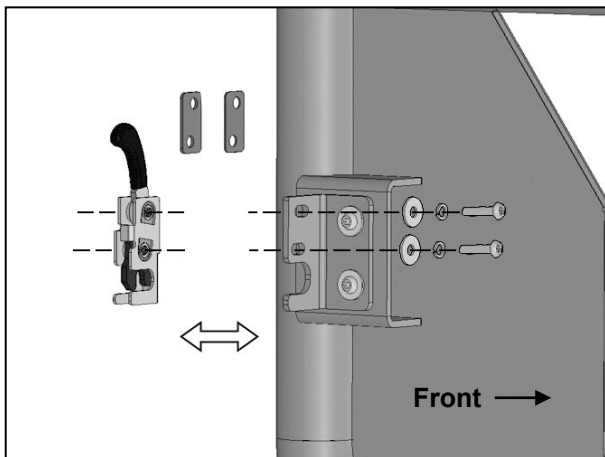
Driver/Left Side Installation Pictured



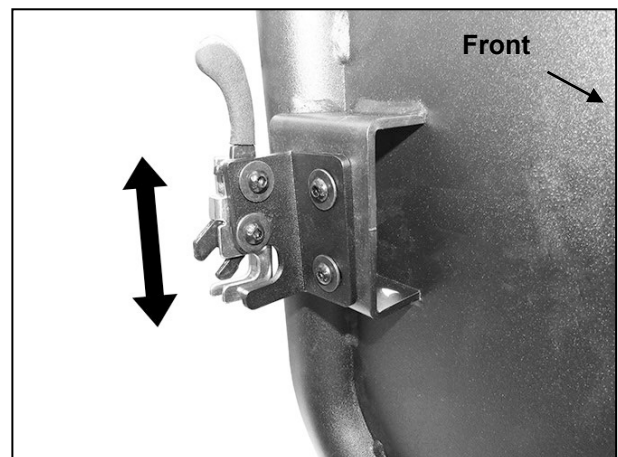
(Fig 10) Insert 6mm Flat Washers between Rubber Bumper and Tubular Door to adjust Door in or out as needed



(Fig 11) Adjust Door in or out as needed



(Fig 12) Insert the included 2-Hole Thick or Thin shims between the Bracket and Latch to line up Latch with striker

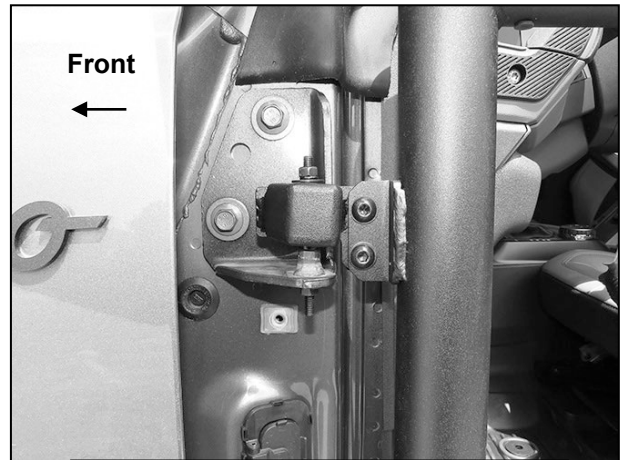


(Fig 13) Loosen hardware. Adjust Latch up or down to match striker

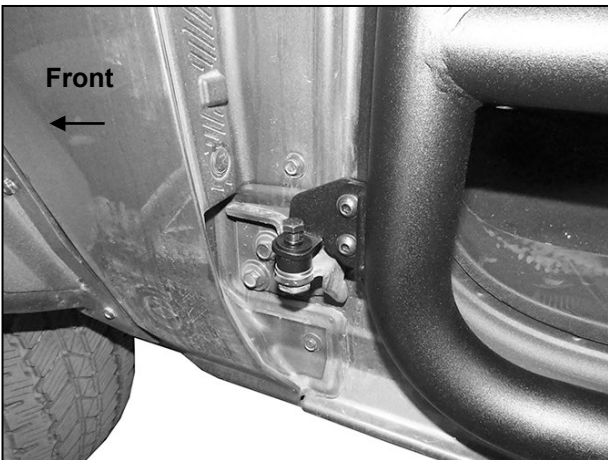
Driver/Left Side Installation Pictured



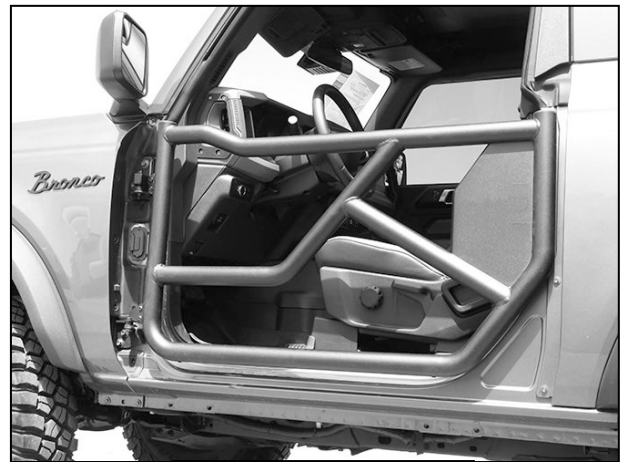
(Fig 14) Adjust Door and Latch assembly for proper operation before fully tightening hardware. Make sure door latch fully closes against striker



(Fig 15) Tighten hardware on Hinges (driver/left Upper Hinge pictured)



(Fig 16) Tighten hardware on Hinges (driver/left Lower Hinge pictured)



Complete Installation