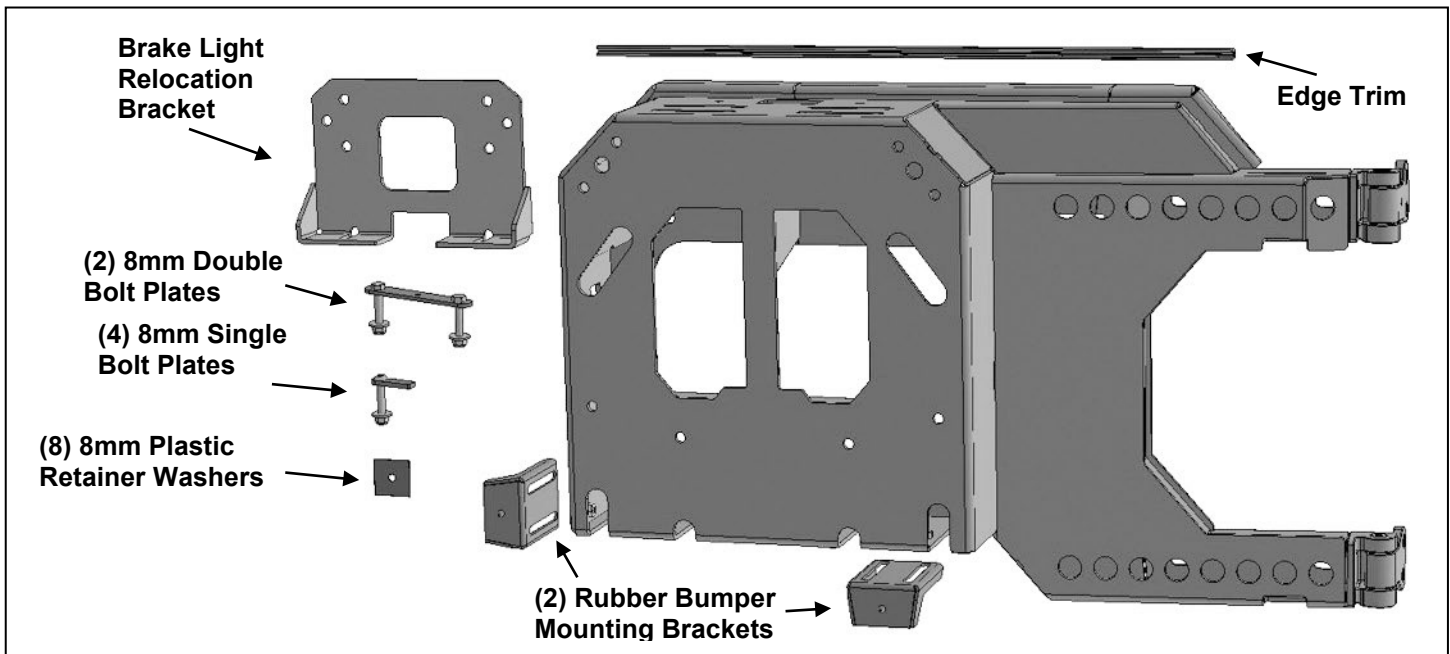


PARTS LIST: FB16447

1	Spare Tire Carrier Assembly	20	8mm x 22mm x 2mm Flat Washers
1	Brake Light Relocation Bracket	12	8mm Lock Washers
2	Rubber Bumper Relocation Brackets	8	8mm Nylon Lock Nuts
2	Plastic Plugs	4	6-1.0mm x 20mm Hex Bolts
1	Edge Trim	10	6mm x 18mm x 1.6mm Flat Washers
2	8mm Double Bolt Plates	4	6mm Lock Washers
4	8mm Single Bolt Plates	4	6mm Hex Nuts
8	8mm Plastic Retainers	2	6mm x 25mm Self Tapping Screws
8	8-1.25mm x 25mm Hex Bolts	1	8mm Wrench
4	8-1.25mm x 35mm Hex Bolts		



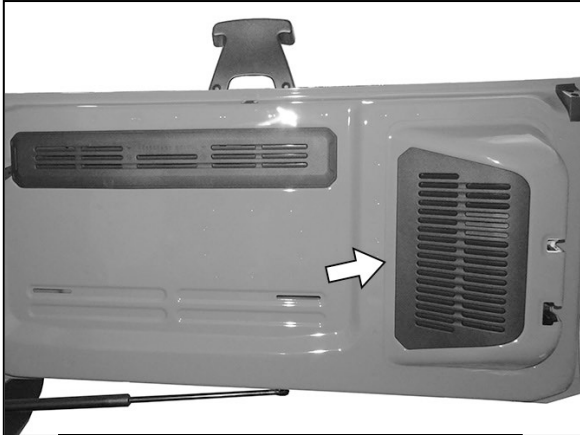
PROCEDURE:

REMOVE CONTENTS FROM BOX. VERIFY ALL PARTS ARE PRESENT. READ INSTRUCTIONS CAREFULLY BEFORE STARTING INSTALLATION. ASSISTANCE IS REQUIRED.

1. Open the rear door and remove the large plastic cover from the back of the door, **(Figure 1)**. **NOTE:** Use a non-marring automotive panel tool to carefully pry up the sides of the cover to remove.
2. Disconnect the outer wire harness leading to the CHMSL, (3rd brake light), and the camera if equipped, **(Figure 2)**. Pull the wire harness and grommet back through the outer door, **(Figure 3)**. Close the door.
3. With assistance, remove the spare tire and spare tire mount assembly, (with light and camera), from the door, **(Figures 3 & 4)**.
4. Open the rear door and remove the plastic cover from the right side of the door opening, **(Figure 4)**. Remove the wiring harness from inside the door. Remove the door assist strut from the bottom of the rear door, **(Figure 5)**. **NOTE:** Pop off the metal clip on each ball socket to remove the door assist strut. **IMPORTANT:** To prevent damage to vehicle, have assistant hold door in place before removing door assist strut.
5. With door held in place by assistant, remove the (4) hinge bolts attaching the inner hinges to the side of the body and slide the door off the vehicle, **(Figure 4)**. Move door to a clear, stable surface.
6. Remove both rubber bumpers from the door, **(Figure 6)**. Use the included (2) Plastic Plugs to plug the old mounting holes in the rear door. Remove the factory hinges from the right/passenger side of the rear door, **(Figure 7)**.

7. Unwrap the Spare Tire Carrier Assembly. Select (1) 8mm Single Bolt Plate and (1) 8mm Plastic Retainer. Insert the Bolt Plate through the upper hole on the back of the Tire Carrier, **(Figure 8)**. Thread the Plastic Retainer onto the Bolt Plate to help hold in position, **(Figure 9)**. Repeat this **Step** to install the remaining (3) Single Bolt Plates in the upper mounting holes.
8. Select (1) 8mm Double Bolt Plate and (2) Plastic Retainers. Insert the Double Bolt Plate through the lower holes in the Tire Carrier, **(Figure 8)**. Thread the Plastic Retainers onto the Bolt Plate. Repeat this Step to install the remaining Double Bolt Plate, **(Figure 9)**.
9. Push the included Edge Trim onto the top edge of the Tire Carrier, **(Figure 10)**.
10. Attach the hinge side of the Spare Tire Carrier to the right side of the rear door with the included (4) 8mm x 35mm Hex Bolts, (4) 8mm Lock Washers and (4) 8mm Flat Washers, **(Figures 11 & 12)**. Leave hardware loose at this time. Reuse the factory hardware to attach the Spare Tire Carrier to the center of the rear door, **(Figures 11 & 13)**. Snug but do not fully tighten hardware at this time.
11. With assistance, lift up the rear door and line it up with the mounting location on the vehicle. Reuse the factory hardware to reattach the hinges on the Tire Carrier to the door opening, **(Figure 14)**.
IMPORTANT: Door with Tire Carrier is heavy, assistance is required.
12. Reinstall the rear door assist strut.
13. Slowly open and close the rear door to check for proper alignment. Align and adjust Tire Carrier and rear door to vehicle as necessary and tighten all hardware, **(Figure 15)**. Use the included Wrench to adjust and tighten the Hinge Bolts as necessary.
14. Select (1) Rubber Bumper Relocation Bracket. Attach the Bracket to the threaded holes in the driver/left side of the Tire Carrier with the included (2) 8mm x 25mm Hex Bolts, (2) 8mm Lock Washers and (2) 8mm Flat Washers, **(Figure 16)**. Leave hardware loose at this time. Repeat this **Step** to attach the remaining Relocation Bracket to the bottom of the Tire Carrier. Push the factory rubber bumpers into the center holes in the Relocation Brackets, **(Figure 23)**.
15. Select the CHMSL Light Relocation Bracket. Attach the Relocation Bracket to the top of the Tire Mount with the included (2) 8mm x 25mm Hex Bolts, (2) 8mm Lock Washers and (2) 8mm Flat Washers, **(Figure 17)**.
16. Remove the CHMSL light and bracket from the top of the factory spare tire mount, **(Figures 18 & 19)**.
17. Attach the CHMSL light assembly to the back of the Relocation Bracket with the included (4) 6mm x 20mm Hex Bolts, (8) 6mm Flat Washers, (4) 6mm Lock Washers and (4) 6mm Hex Nuts, **(Figure 20)**. Insert the included (2) Self Tapping Screws through the Relocation Bracket and into the light assembly and tighten all hardware, **(Figures 20 & 22)**.
18. Use the included (8) 8mm Flat Washers and (8) 8mm Nylon Lock Nuts to attach the factory spare tire mount to the Bolt Plates in the Spare Tire Carrier, **(Figure 21)**. Fully tighten hardware at this time.
19. Reinstall the inner door harness, outer harness and rubber grommet, **(Figure 22)**. Plug the CHMSL harness and camera back into the main harness and reinstall all plastic covers.
20. With assistance, attach the spare tire to the tire mount studs. Check the fit between the Rubber Bumpers and the tire, **(Figure 23)**. Adjust the Bumpers to support the tire. Tighten all hardware at this time.
21. Do periodic inspections to the installation to make sure that all hardware is secure and tight.

To protect your investment, do not use any type of polish or wax that may contain abrasives that could damage the finish. Mild soap may be used to clean Tire Mount.



(Fig 1) Remove plastic cover from inside of rear door (arrow)



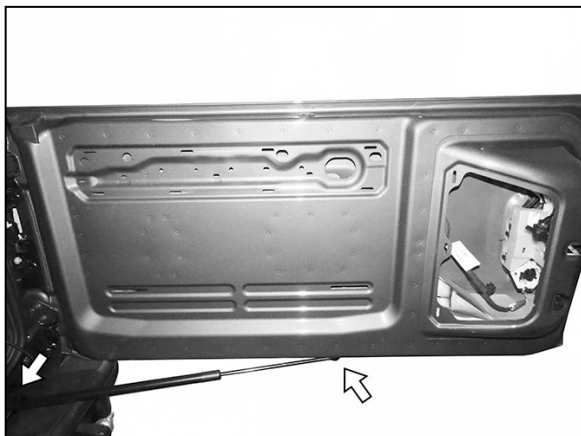
(Fig 2) Disconnect wire harnesses leading to the camera and CHMSL (3rd brake light). Release rubber grommet and pull outer harness through hole in rear door.



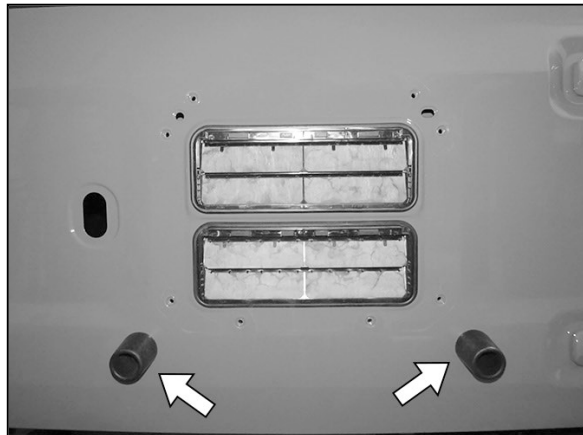
(Fig 3) Remove tire mount from rear door



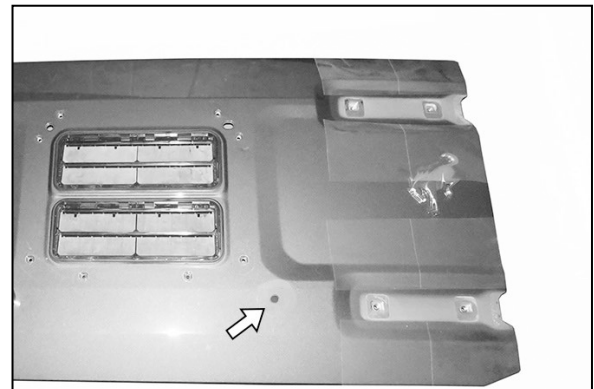
(Fig 4) Remove the plastic cover (arrow). Remove inner wiring harness from rear door



(Fig 5) Release metal clips and remove door strut from bottom of door and body, (arrows), With assistance, remove rear door

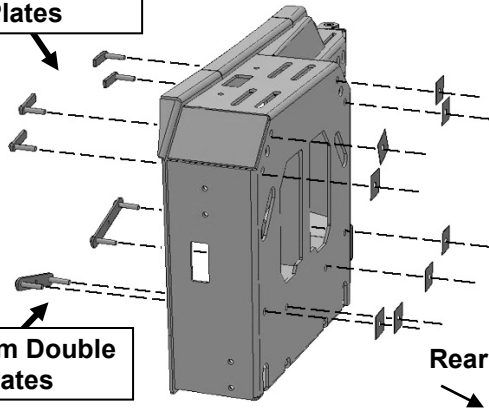


(Fig 6) Remove both rubber bumpers from rear door (arrows).



(Fig 7) Remove hinges from right side of door. Remove rubber bumpers (Fig 6). Fill holes with included Plastic Plugs (arrow)

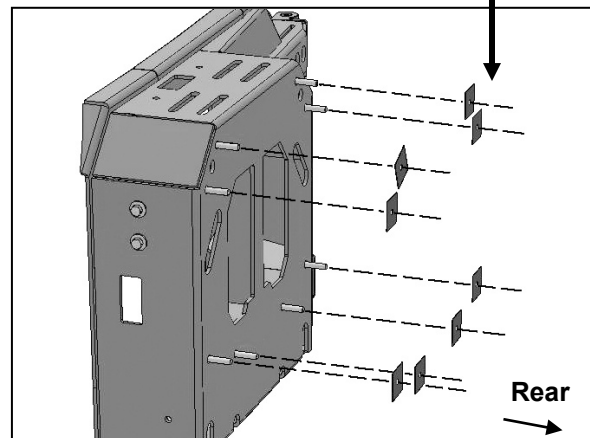
(4) 8mm Single Bolt Plates



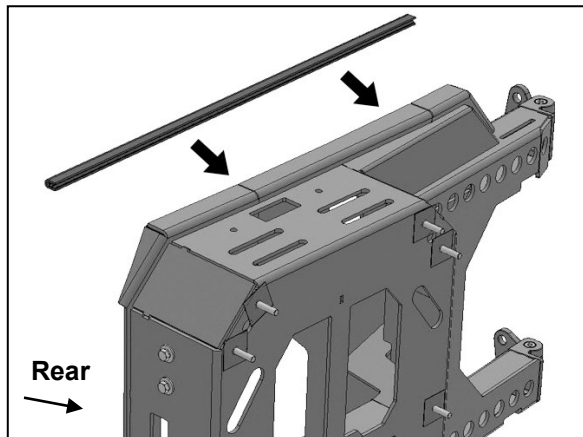
(2) 8mm Double Bolt Plates

(Fig 8) Insert (4) 8mm Single Bolt Plates through upper mounting holes in the back of the Tire Carrier. Insert (2) 8mm Double Bolt Plates through the lower holes in the Tire Carrier

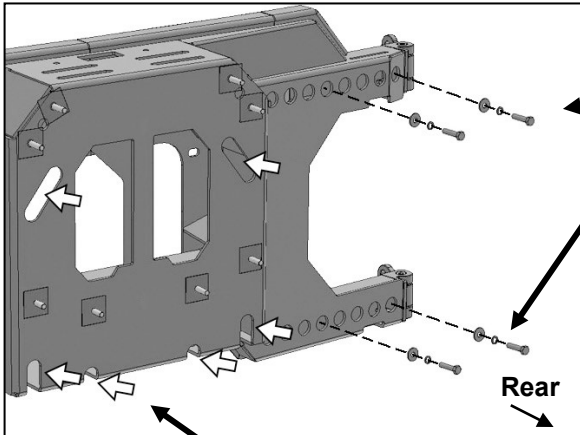
8mm Plastic Retainers



(Fig 9) Thread the Plastic Retainers onto the Bolt Plates to hold the Bolt Plates in position.



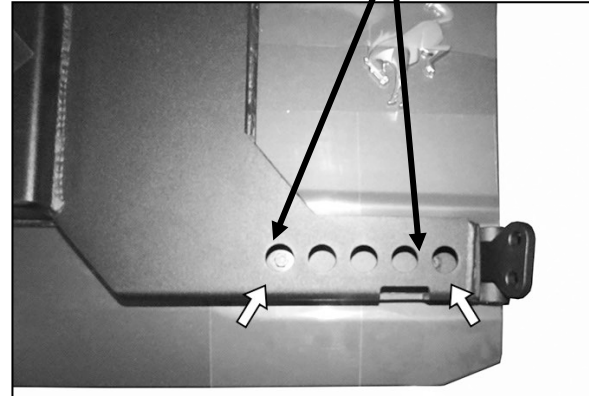
(Fig 10) Push the Edge Trim onto the top of the Tire Carrier



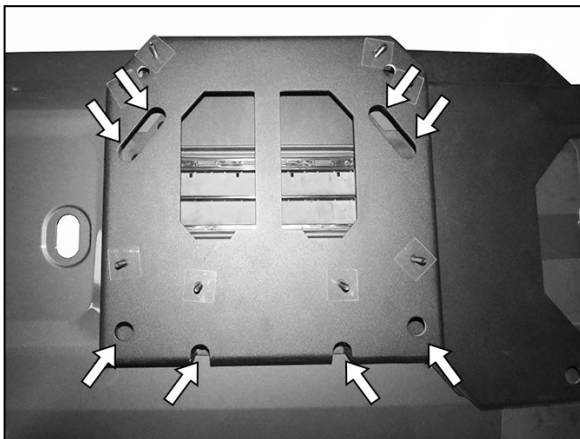
(4) 8mm x 35mm Hex Bolts
(4) 8mm Lock Washers
(4) 8mm Flat Washers

(4) 8mm x 35mm Hex Bolts
(4) 8mm Lock Washers
(4) 8mm Flat Washers

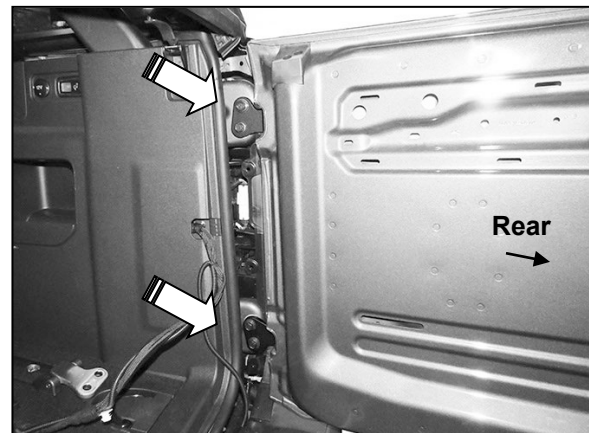
(Fig 11) Attach the Tire Carrier to the rear door. Reuse the factory hardware to attach the Tire Carrier to the center of the door (arrows-also see Fig 13)



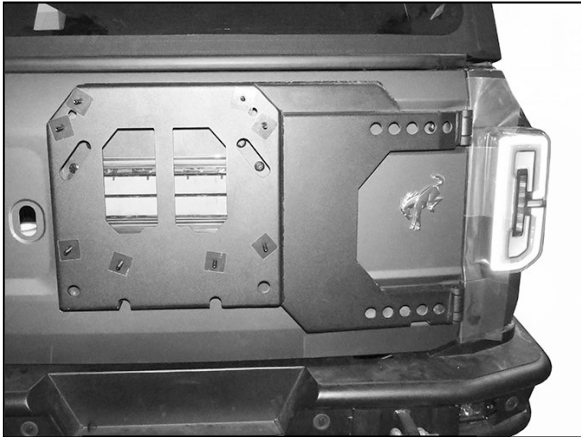
(Fig 12) Insert Hex Bolts into right side of Tire Carrier and into the hinge mounting holes in the door (arrows -also see Fig 11)



(Fig 13) Reuse the factory hex bolts to attach the center of the Tire Carrier to the mounting holes in the door (arrows -also see Fig 11)

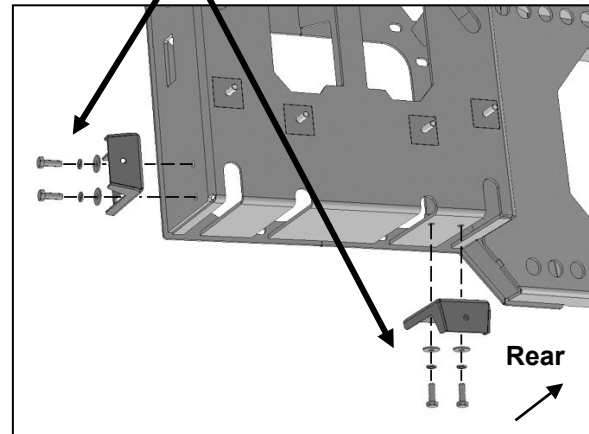


(Fig 14) With assistance, line up the hinges on the Tire Carrier and rear door with the vehicle. Reuse the factory hex bolts to attach the door to the vehicle



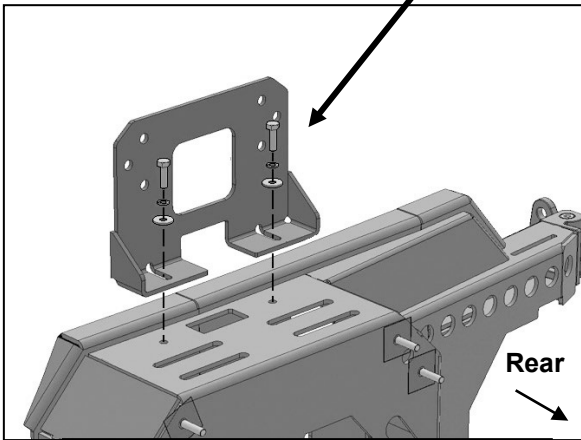
(Fig 15) Align and adjust the rear door to the vehicle

- (4) 8mm x 25mm Hex Bolts
- (4) 8mm Lock Washers
- (4) 8mm Flat Washers

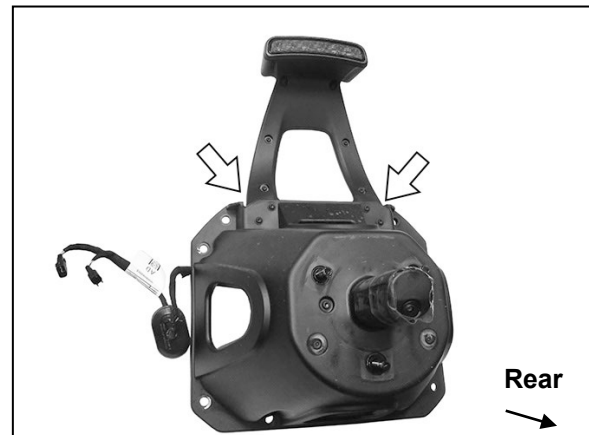


(Fig 16) Attach the (2) Bumper Relocation Brackets to the side and bottom of the Tire Carrier. Push the factory rubber bumpers into the Relocation Brackets. Use the included (2) Plastic Plugs to plug the mounting holes in the rear door

- (2) 8mm x 25mm Hex Bolts
- (2) 8mm Lock Washers
- (2) 8mm Flat Washers



(Fig 17) Attach the Light Relocation Bracket to the top of the Tire Mount

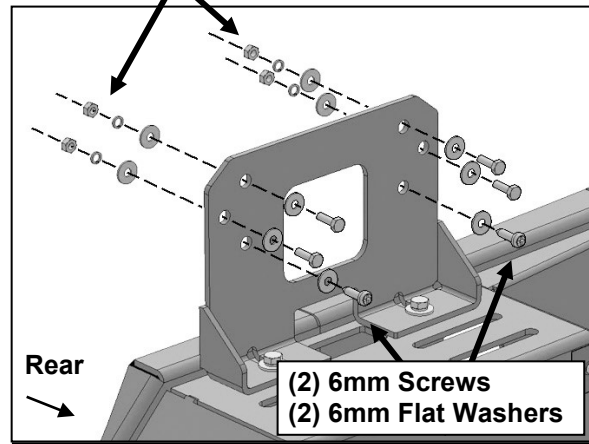


(Fig 18) Remove the brake light assembly from the top of the spare tire mount

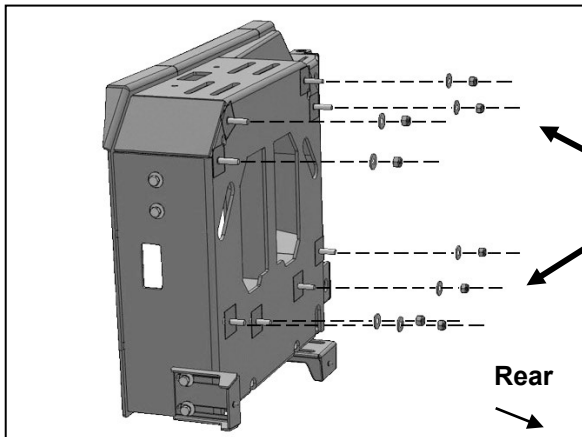


(Fig 19) Remove the brake light assembly from the top of the spare tire mount

- (4) 6mm x 20mm Hex Bolts
- (8) 6mm Flat Washers
- (4) 6mm Lock Washers
- (4) 6mm Hex Nuts



(Fig 20) Attach the light assembly to the back of the Relocation Bracket (see Fig 22)



- (8) 8mm Flat Washers
- (8) 8mm Nylon Lock Nuts

(Fig 21) Attach the factory spare tire mount to the Tire Carrier, (also see Fig 22)



(Fig 22) Attach the factory spare tire mount to the Tire Carrier, (also see Fig 21)



(Fig 23) Adjust rubber bumpers in or out to support the spare tire