

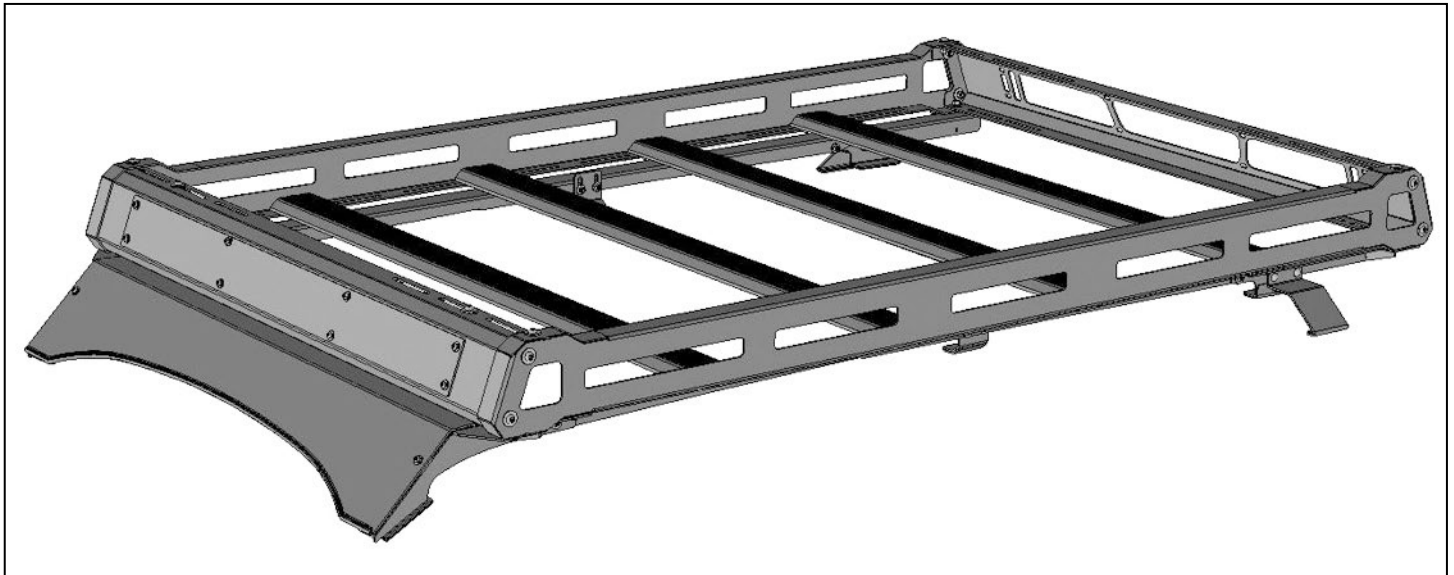


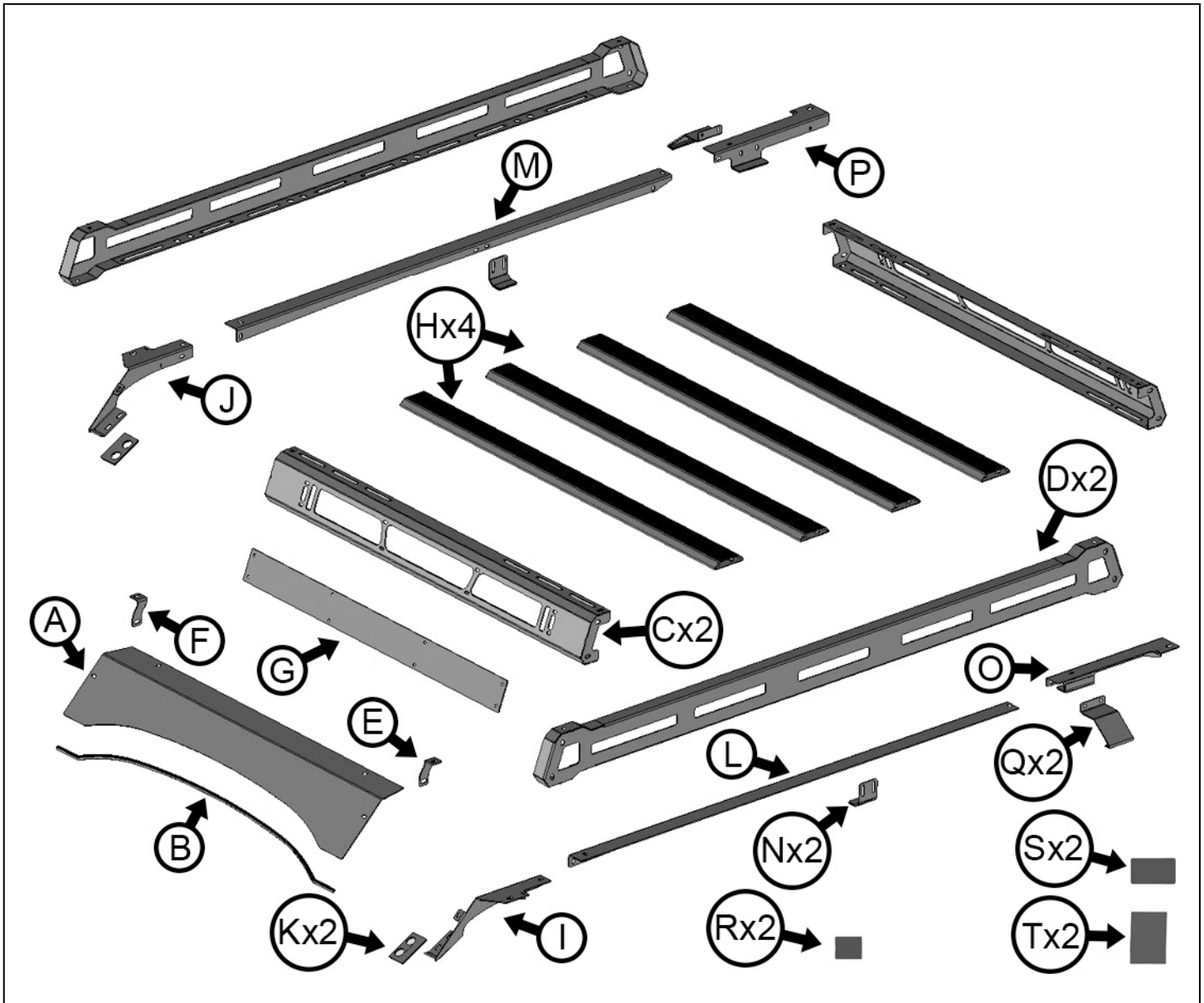
INSTALLATION INSTRUCTIONS

**XD1 Aluminum Hard Top Roof Rack
2021-22 FORD BRONCO 2-DOOR WITH HARDTOP
(EXCLUDES OE ROOF RACK)**

PARTS LIST: FB15155

1	Wind Fairing Plate	(A)	2	Medium Adhesive Back Foam Pad (Rear Bracket) (S)
1	Edge Trim for Fairing Plate	(B)	2	Large Adhesive Back Foam Pads (Clamp Bracket) (T)
2	Basket Front/Rear Panels	(C)	34	8-1.25mm x 25mm Button Head Bolts
2	Basket Side Panels	(D)	2	8-1.25mm x 16mm Button Head Bolts
1	Driver/left LED "L" Bracket	(E)	52	8mm x 24mm x 2mm Large Flat Washers
1	Passenger/right LED "L" Bracket	(F)	2	8mm x 16mm x 1.6mm Small Flat Washers
1	Front Panel Block Off Plate	(G)	34	8mm Lock Washers
4	Crossbars	(H)	16	8mm Hex Nuts
1	Driver/left Front Mounting Bracket	(I)	2	8mm Nylon Lock Nuts
1	Passenger/right Front Mounting Bracket	(J)	4	6-1.00 x 25mm Carriage Bolts
2	Front Bracket Mounting Shims	(K)	12	6-1.00 x 20mm Button Head Combo Bolts
1	Driver/left Center Connect Bracket	(L)	12	6-1.00 x 20mm Button Head Bolts
1	Passenger/right Center Connect Bracket	(M)	36	6mm x 18mm x 1.6mm Flat Washers
2	Center "L" Support Brackets	(N)	8	6mm Hex Nuts
1	Driver/left Rear Mounting Bracket	(O)	16	6mm Nylon Lock Nuts
1	Passenger/right Rear Mounting Bracket	(P)	8	6mm Flange Nuts
2	Rear Clamping Brackets	(Q)	1	5mm Wrench
2	Small Adhesive Back Foam Pad (Center Bracket) (R)	(R)	1	4mm Wrench





PROCEDURE:

REMOVE CONTENTS FROM BOX. VERIFY ALL PARTS ARE PRESENT. READ INSTRUCTIONS CAREFULLY. ASSISTANCE IS REQUIRED.

1. Determine if the vehicle is equipped with a factory accessory roof rack.

Models with roof rack

- a. Remove cover from top of roof rack mount, **(Figure 1)**.
- b. Remove tube nuts attaching end of roof rack, **(Figure 2)**. Repeat to remove remaining roof rack hardware and with assistance, remove entire roof rack rails.

Models without roof rack.

- a. Remove the plastic cover over the accessory mounting location, **(Figure 3)**.
- b. Remove the inner bracket, **(Figure 4)**. Repeat **Steps** to remove the passenger/right cover and bracket.

2. Carefully unwrap and identify all parts.

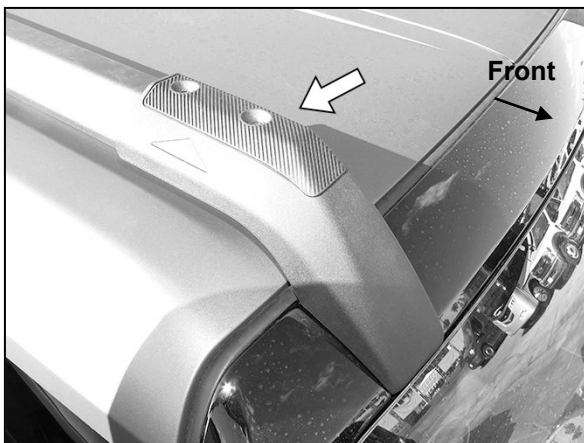
3. Select the driver/left Front Mounting Bracket and driver/left Center Connector, **(Figure 5)**. Attach the Front Bracket to the inside of the front end of the Connector Bracket with the included (2) 6mm x 20mm

Button Head Bolts, (4) 6mm Flat Washers and (2) 6mm Nylon Lock Nuts. Snug but do not fully tighten hardware at this time.

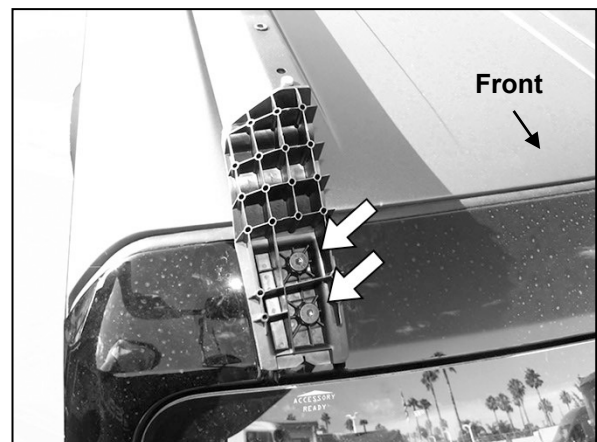
4. Next, select (1) Center "L" Support Bracket and (1) Small Adhesive Backed Foam Pad, **(Figures 6 & 7)**. Remove the backing and apply the Foam Pad to the bottom of the "L" Bracket. Attach the "L" Bracket to the back of the Center Connector Bracket with the included (2) 6mm x 20mm Button Head Bolts, (4) 6mm Flat Washers and (2) 6mm Nylon Lock Nuts, **(Figure 8)**. **IMPORTANT:** Leave Center "L" Bracket hardware only loose. Do not tighten Support Bracket hardware until after roof Basket assembly has been fully installed and adjusted on vehicle.
5. Select the driver/left Rear Mounting Bracket and (1) Medium Adhesive Backed Foam Pad, **(Figures 6 & 9)**. Remove the backing and apply the Foam Pad to the bottom of the plate on the Rear Mounting Bracket. Attach the Rear Mounting Bracket to the inside of the Center Connector Bracket with the included (2) 6mm x 20mm Button Head Bolts, (4) 6mm Flat Washers and (2) 6mm Nylon Lock Nuts, **(Figure 10)**. Snug but do not fully tighten hardware at this time.
6. Repeat **Steps 3—5** to assemble the passenger/right Mounting Bracket assembly.
7. Select (1) Basket Front/Rear Panel and (1) Basket Side Panel, **(Figure 11)**. Attach the Front/Rear Panel to the side of the Side Panel with the included (2) 8mm x 25mm Button Head Bolts, (4) 8mm Large Flat Washers, (2) 8mm Lock Washers and (2) 8mm Hex Nuts. Attach the top of the Front Panel to the top of the Side Panel with (1) 8mm x 25mm Button Head Bolt, (2) 8mm Large Flat Washers, (1) 8mm Lock Washer and (1) 8mm Hex Nut, **(Figure 12)**. Select the remaining Front/Rear Panel. Repeat this **Step** to attach the Front/Rear Panel to the end of the Side Panel.
8. Select the remaining Side Panel. Repeat **Step 7** to attach the Side Panel to the (2) Front/Rear Panels. Snug but do not fully tighten hardware at this time.
9. With assistance, flip the Basket upside down and carefully place on a clean, flat surface.
10. Select the long driver/left Bracket Assembly. Attach the front of the Bracket Assembly to the Side Panel on the Basket Assembly with (1) 8mm x 25mm Button Head Bolt, (2) 8mm Large Flat Washers, (1) 8mm Lock Washer and (1) 8mm Hex Nut, **(Figure 13)**. Repeat this **Step** to attach the rear Bracket on the Bracket Assembly to the Side Panel, **(Figure 14)**.
11. Repeat **Step 10** to attach the passenger/right Bracket Assembly to the Basket Side Panel.
12. Select (1) Crossbar. Attach the Crossbar to the forward holes in the Side Panel with the included (4) 6mm x 20mm Button Head Combo Bolts, **(Figure 15)**. Repeat this **Step** to attach the remaining (3) Crossbars.
13. With assistance, flip Basket Assembly back over. Make sure the Basket Assembly is square and fully tighten all Front, Rear and Crossbar hardware. **IMPORTANT:** Do not tighten the hardware attaching the Center "L" Support Brackets to the side Connector Brackets at this time, **(Figure 8)**.
14. Select (1) Front Bracket Mounting Shim, **(Figure 16)**. Slide the Shim over the driver/left side mounting studs above the front windshield. Place the remaining Shim over the passenger/right mounting studs.
15. With assistance, carefully place the Basket Assembly on the vehicle. Line up the Front Brackets with the mounting studs above the front windshield. Reuse the factory 6mm Flange Nuts or the (2) included 6mm Flange Nuts to attach the driver/left front Bracket to the Shim and accessory mount studs, **(Figures 17 & 18)**. Do not fully tighten hardware at this time. Repeat this **Step** to attach the passenger/right Bracket to the Shim and mounting studs.
16. Select (1) Outer Rear Clamping Bracket and (1) Large Adhesive Backed Foam Pad, **(Figures 6 & 19)**. Remove the backing and apply the Foam Pad to the bottom/inside of the Clamping Bracket. Move to the driver/left rear of the Basket Assembly. Hook the end of the Clamp Bracket into the slot above the rear side window, **(Figures 20 & 21)**. Attach the Clamping Bracket to the outside of the driver/left Rear Mounting Bracket with the included (2) 6mm x 25mm Carriage Bolts, (2) 6mm Flat Washers and (2) 6mm Nylon Lock Nuts. Do not tighten hardware at this time.
17. Repeat **Step 16** to attach the remaining Clamping Bracket to the passenger/right Rear Mounting Bracket. Align the Basket assembly to the roof and evenly tighten Clamping Bracket hardware.
18. Adjust "L" Center Support Brackets up or down as necessary to properly support center of Basket assembly and fully tighten hardware, **(Figure 22)**.

19. Select the Front Wind Fairing and Edge Trim. Push the Edge Trim onto the front edge of the Wing Fairing, **(Figure 23)**. Attach the Wind Fairing to the front Brackets and bottom of Front Panel with the included (4) 6mm x 20mm Button Head Combo Bolts and (4) 6mm Flange Nuts, **(Figures 24 & 25)**.
20. Determine if front LED bar style light, (not included), or Front Panel Block Off Plate will be installed.
Light Installation:
 - a. Attach the driver/left and passenger/right LED "L" Brackets to the slots in the back of the Front Panel with the included (2) 8mm x 25mm Button Head Bolts, (4) 8mm Large Flat Washers and (2) 8mm Nylon Lock Nuts, **(Figures 26 & 27)**.
 - b. Attach Light to "L" Brackets with the included (2) 8mm x 16mm Button Head Bolts, (2) 8mm Lock Washers and (2) 8mm x 16mm x 1.6mm Small Flat Washers, **(Figures 26 & 27)**.**Block Off Plate installation:**
 - a. Attach Block Off Plate to front of Front Panel with the included (8) 6mm x 20mm Button Head Combo Bolts, (8) 6mm Flat Washers Flat Washers and (8) 6mm Hex Nuts, **(Figure 28)**. Fully tighten hardware.
21. Check the Roof Rack for alignment, adjust as necessary and fully tighten all hardware.
22. Do periodic inspections to the installation to make sure that all hardware is secure and tight.

To protect your investment, Do not use any type of polish or wax that may contain abrasives that could damage the finish. Mild soap may be used to clean the Roof Basket Assembly.



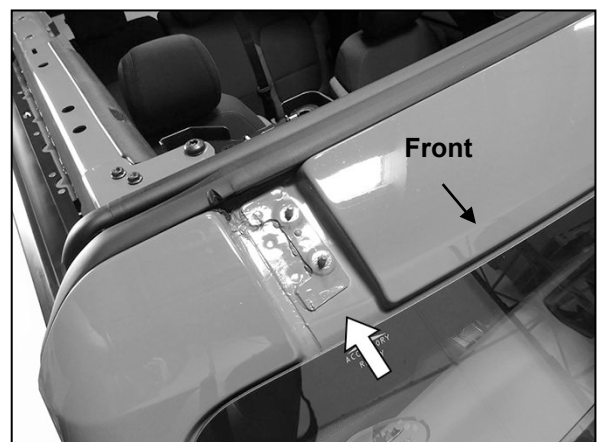
(Fig 1) Models with factory roof rails, remove cover to access mounting screws



(Fig 2) Remove mounting hardware (arrows)

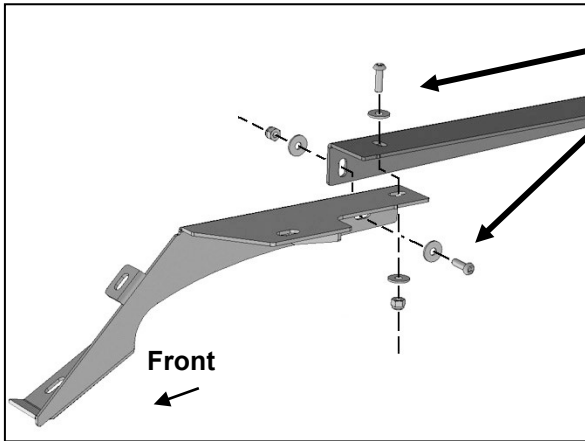


(Fig 3) Models without factory roof rails, remove cover and inner clip



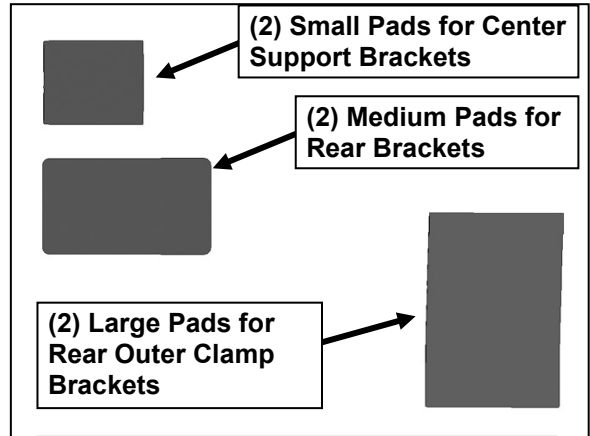
(Fig 4) Passenger/right front mounting location (arrow)

Driver/left Side Installation Pictured



- (2) 6mm x 20mm Button Head Bolts
- (4) 6mm Flat Washers
- (2) 6mm Nylon Lock Nuts

(Fig 5) Attach driver/left front Mounting Bracket to inside of driver/left Center Connecting Bracket

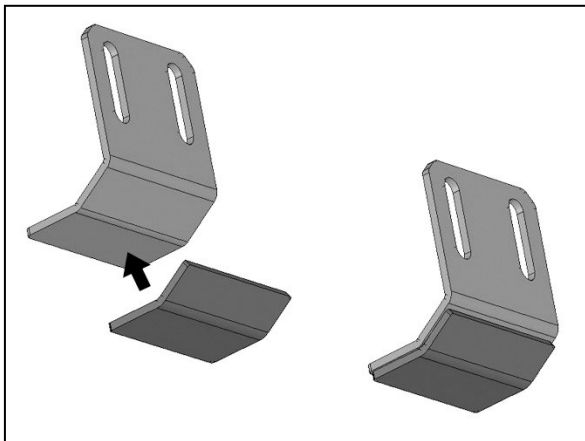


- (2) Small Pads for Center Support Brackets

- (2) Medium Pads for Rear Brackets

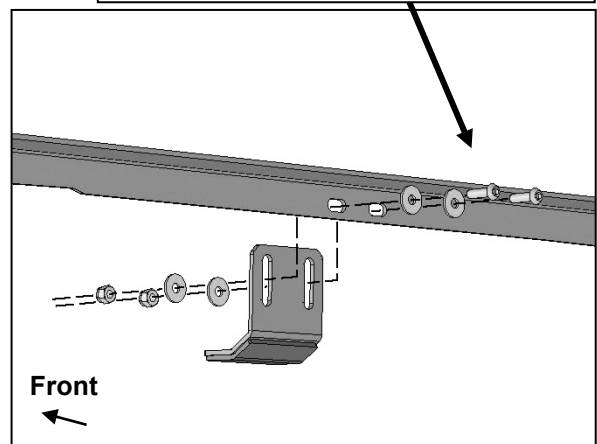
- (2) Large Pads for Rear Outer Clamp Brackets

(Fig 6) NOTE: Separate the (3) different sizes of Adhesive Backed Foam Pads

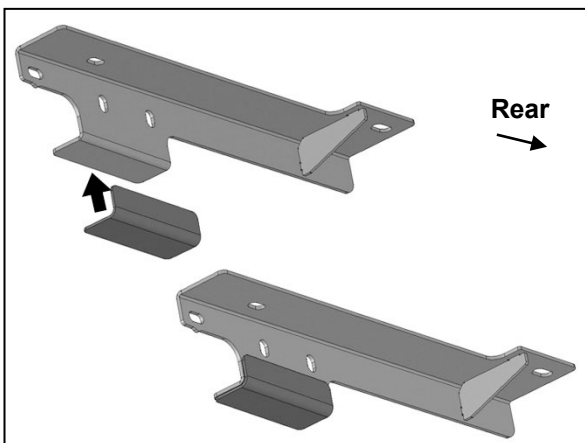


(Fig 7) Apply Small Pad to bottom of "L" Center Support Bracket

- (2) 6mm x 320mm Button Head Bolts
- (4) 6mm Flat Washers
- (2) 6mm Nylon Lock Nuts

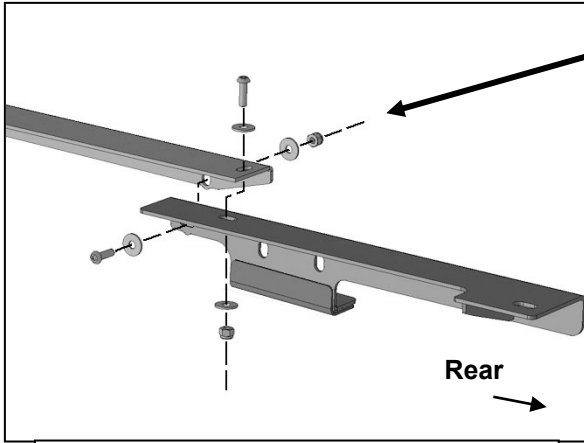


(Fig 8) Attach Center Support Bracket to back of driver/left Center Connecting Bracket. Do not tighten hardware



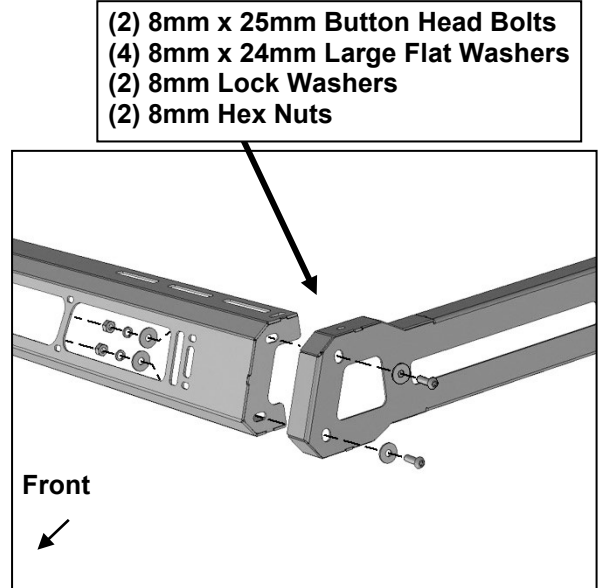
(Fig 9) Apply Medium Pad to bottom of Rear Mounting Bracket

Driver/left Side Installation Pictured



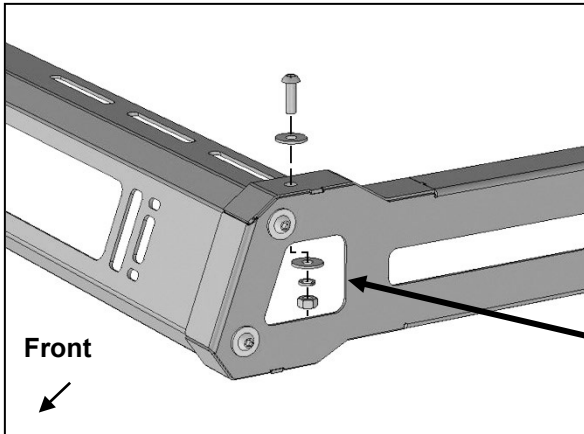
- (2) 6mm x 20mm Button Head Bolts
- (4) 6mm Flat Washers
- (2) 6mm Nylon Lock Nuts

(Fig 10) Attach driver/left rear Mounting Bracket to inside of driver/left Center Connecting Bracket



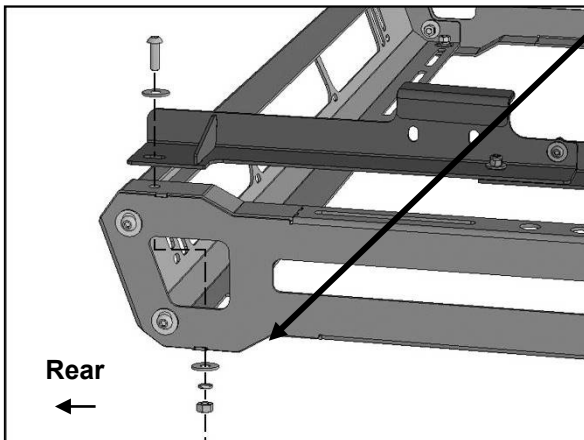
- (2) 8mm x 25mm Button Head Bolts
- (4) 8mm x 24mm Large Flat Washers
- (2) 8mm Lock Washers
- (2) 8mm Hex Nuts

(Fig 11) Attach (1) Front/Rear Basket Panel to side of (1) Side Panel (driver/left front illustrated)

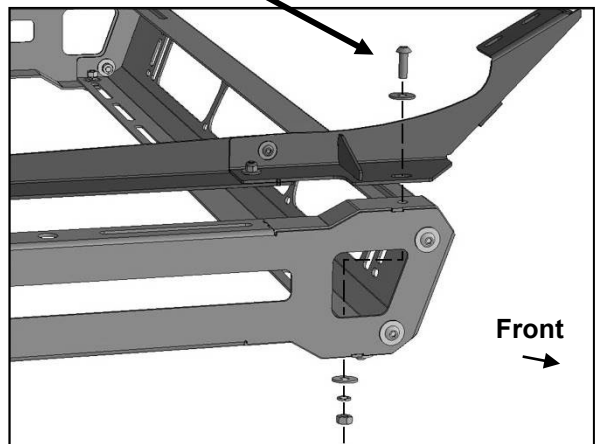


- 8mm x 25mm Button Head Bolt
- (2) 8mm x 24mm Large Flat Washers
- 8mm Lock Washer
- 8mm Hex Nut

(Fig 12) Attach top of Front/Rear Basket Panel to Side Panel (driver/left front illustrated)

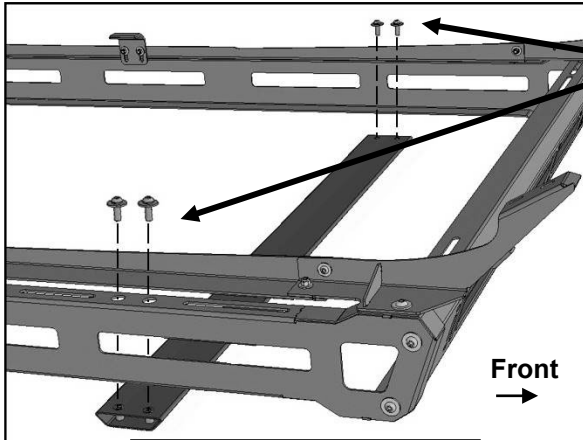


(Fig 14) Attach Side Panel on Basket to Rear Bracket Assembly



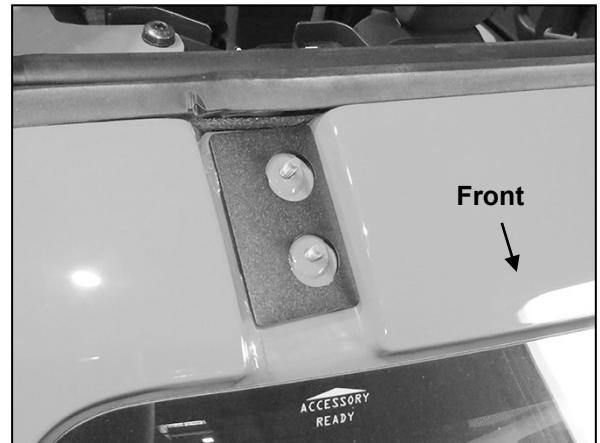
(Fig 13) Attach Side Panel on Basket to Front Bracket Assembly

Driver/left Side Installation Pictured

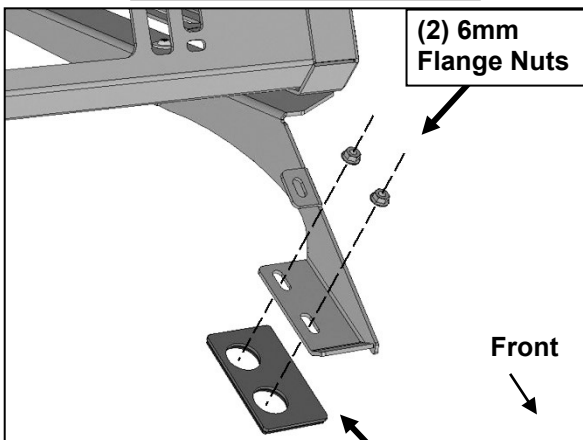


**(4) 6mm
Combo Bolts**

**(Fig 15) Attach Crossbars
to inside of Side Panels**

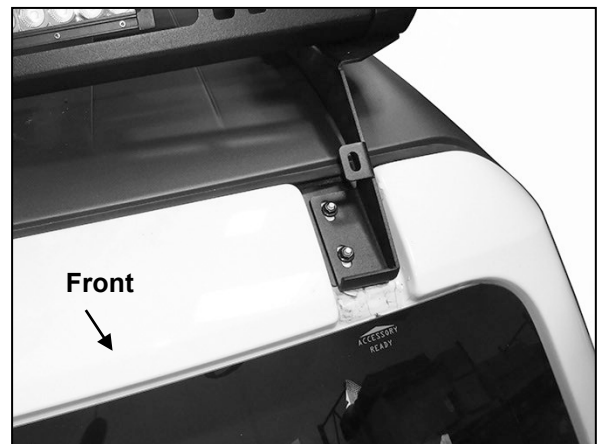


**(Fig 16) Place Bracket Shim over threaded
studs (passenger/right side pictured)**

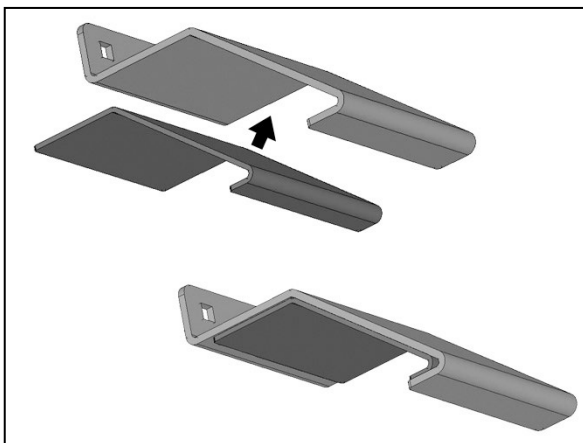


**(2) 6mm
Flange Nuts**

**(Fig 17) Carefully place Basket assembly
onto vehicle. Attach Front Brackets to Shims
and mounting studs above windshield**

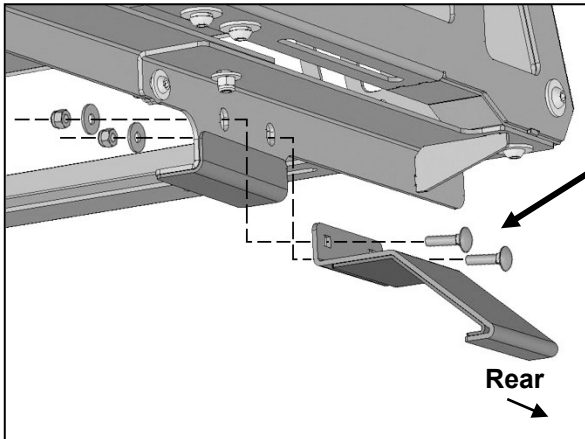


**(Fig 18) Driver/left side of Basket
and Bracket assembly installed**



**(Fig 19) Apply Large Pad to bottom
of Rear Outer Clamping Bracket**

Driver/left Side Installation Pictured

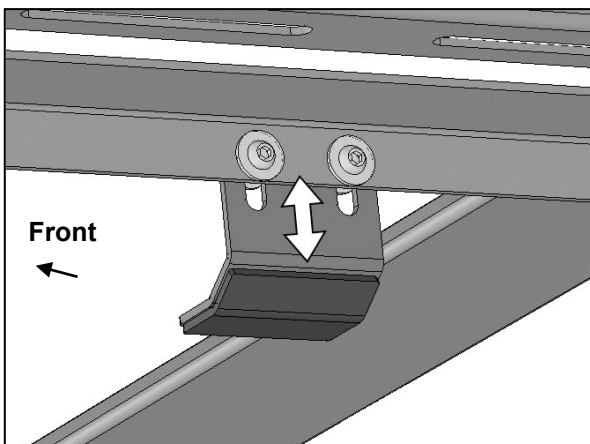


- (2) 6mm x 25mm Carriage Bolts
- (2) 6mm Lock Washers
- (2) 6mm Flat Washers

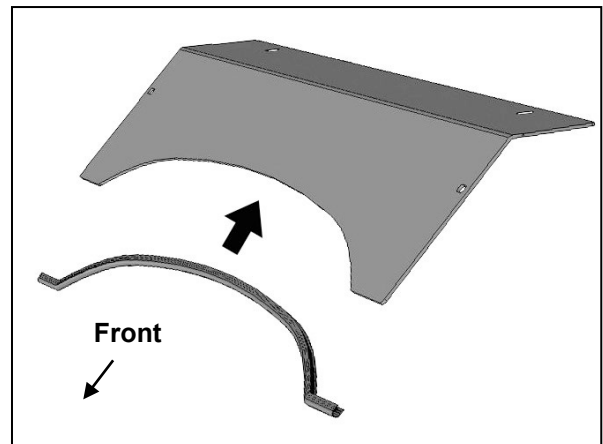
(Fig 20) Attach Clamping Bracket to outside of Rear Mounting Bracket



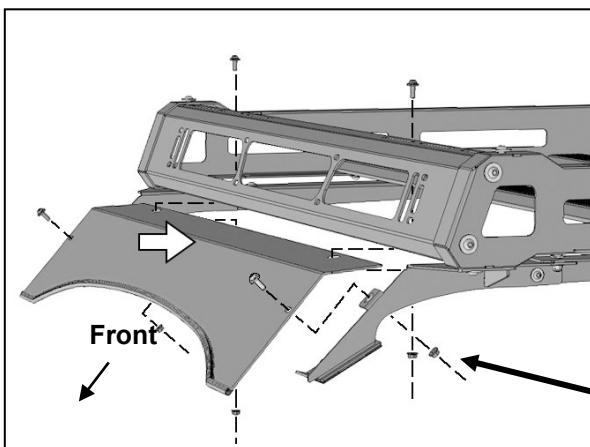
(Fig 21) Hook Clamping Bracket into slot in of top above window



(Fig 22) Push Center Support Bracket down onto roof and fully tighten hardware



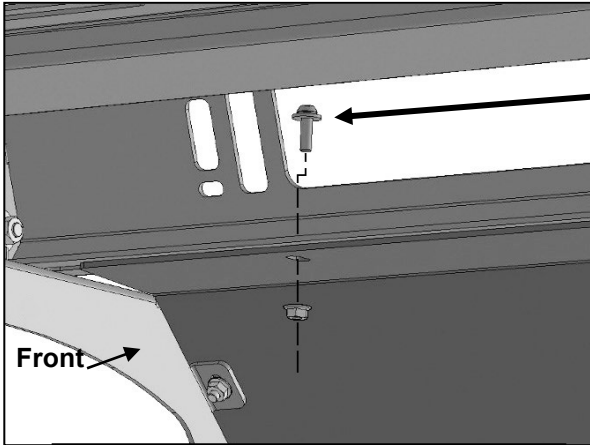
(Fig 23) Push Edge Trim onto leading edge of Wind Deflector plate



(Fig 24) Attach Wind Deflector plate to top of Front Brackets and bottom of Front Panel (Fig 25)

- (4) 6mm x 20mm Button Head Combo Bolts
- (4) 6mm Flange Nuts

Driver/left Side Installation Pictured

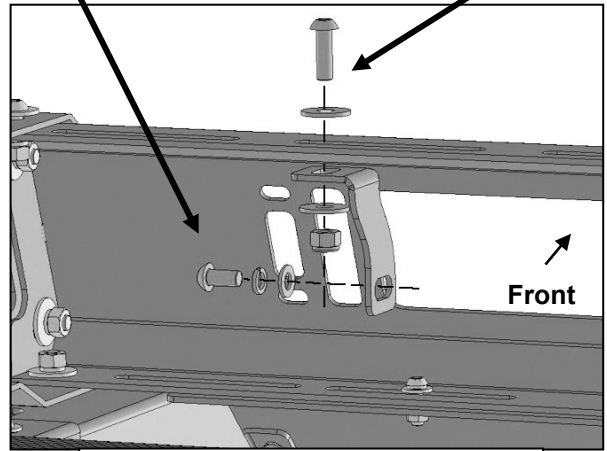


(Fig 25) Attach Wind Deflector plate to bottom of Front Panel (Fig 24). Back of front panel illustrated

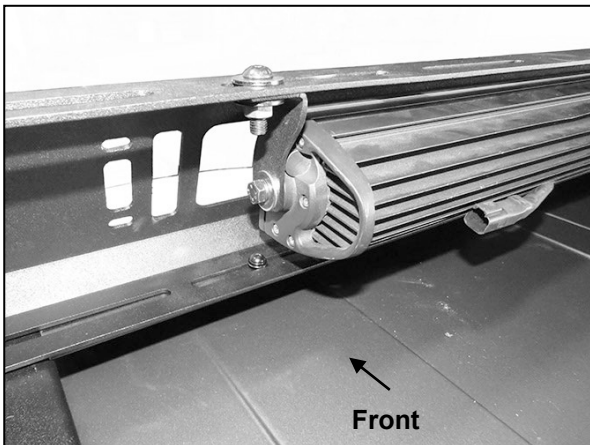
6mm x 20mm Button Head Combo Bolts
 6mm Flange Nuts

8mm x 16mm Button Head Bolt
 8mm Lock Washer
 8mm Small Flat Washer

8mm x 25mm Button Head Bolt
 (2) 8mm Large Flat Washers
 8mm Nylon Lock Nut

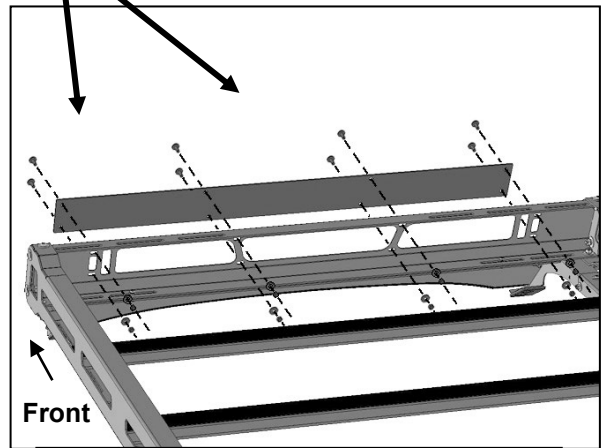


(Fig 26) Attach driver/left LED "L" Bracket to inside of Front Panel



(Fig 27) LED bar style light installed (driver/left side pictured-light not included)

(8) 6mm x 20 Button Head Combo Bolts
 (8) 6mm Flat Washers
 (8) 6mm Hex Nuts



(Fig 28) Attach Block Off Plate to front of Front Panel (installation is optional)

