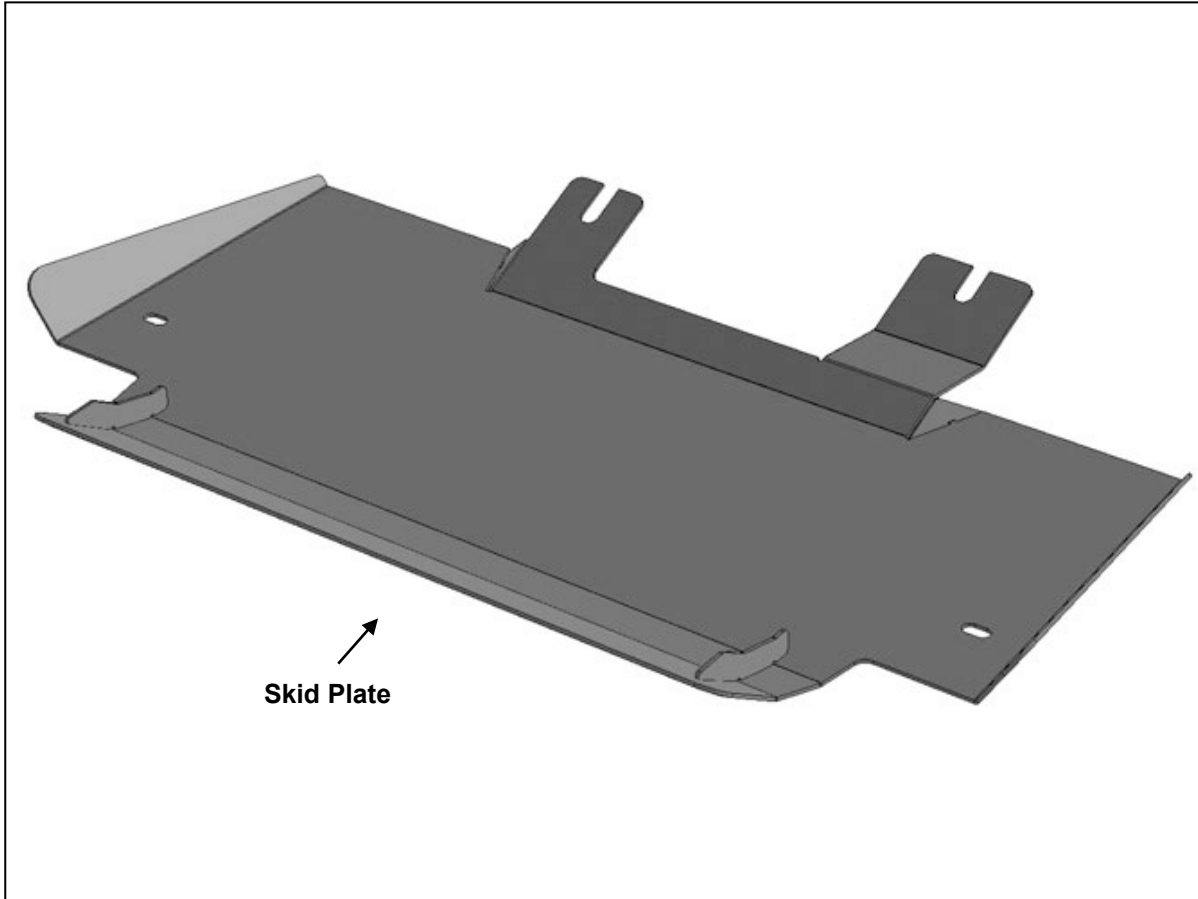


PARTS LIST: FB14587

1	Skid Plate
---	------------

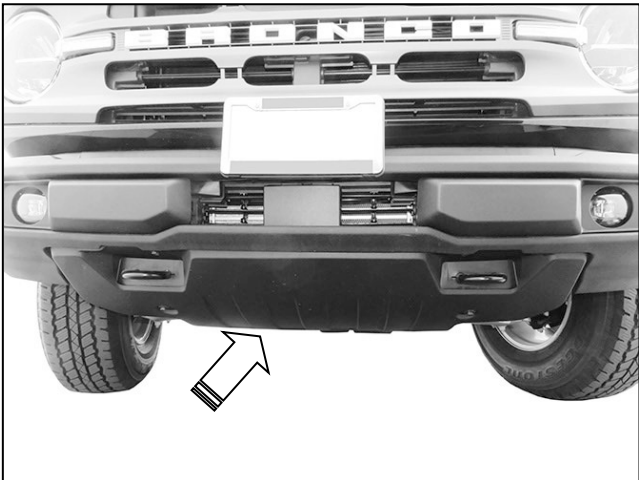


PROCEDURE:

REMOVE CONTENTS FROM BOX AND VERIFY ALL PARTS ARE PRESENT. READ INSTRUCTIONS CAREFULLY. ASSISTANCE IS RECOMMENDED.

1. Start installation from under the front of the vehicle. Remove the splash guard from below/behind the bumper, **(Figures 1 & 2)**.
2. Select the Skid Plate, **(Figure 3)**.
3. With assistance, hold the Skid Plate up to the bottom of the vehicle. Line up the holes in the Skid Plate with the factory splash guard mounting brackets. Reuse the factory mounting bolts for the splash guard to attach the front of the Skid Plate, **(Figure 3)**. Reuse the factory hex bolts to attach the rear of the Skid Plate to the bottom of the frame.
4. Check the Skid Plate alignment with the vehicle and fully tighten all hardware at this time.
5. Do periodic inspections to the installation to make sure that all hardware is secure and tight.

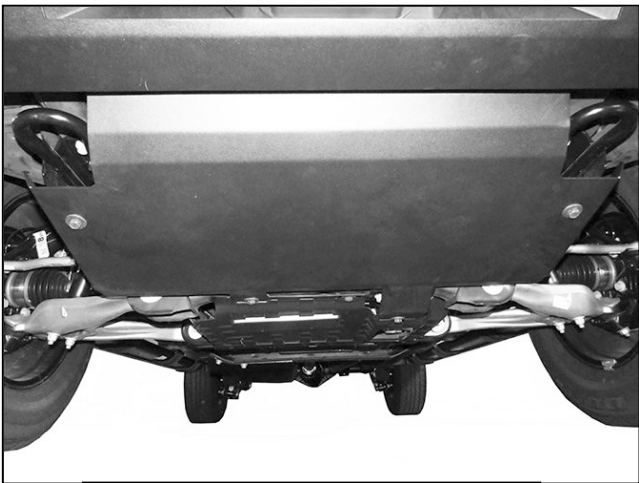
To protect your investment, do not use any type of polish or wax that may contain abrasives that could damage the finish. Mild soap may be used to clean the Skid Plate.



(Fig 1) Example of model with plastic bumper cover. Remove splash guard (arrow)



(Fig 2) Splash guard removed



(Fig 3) Reuse the factory hardware to attach the Skid Plate