

REDROCK

INSTALLATION INSTRUCTIONS

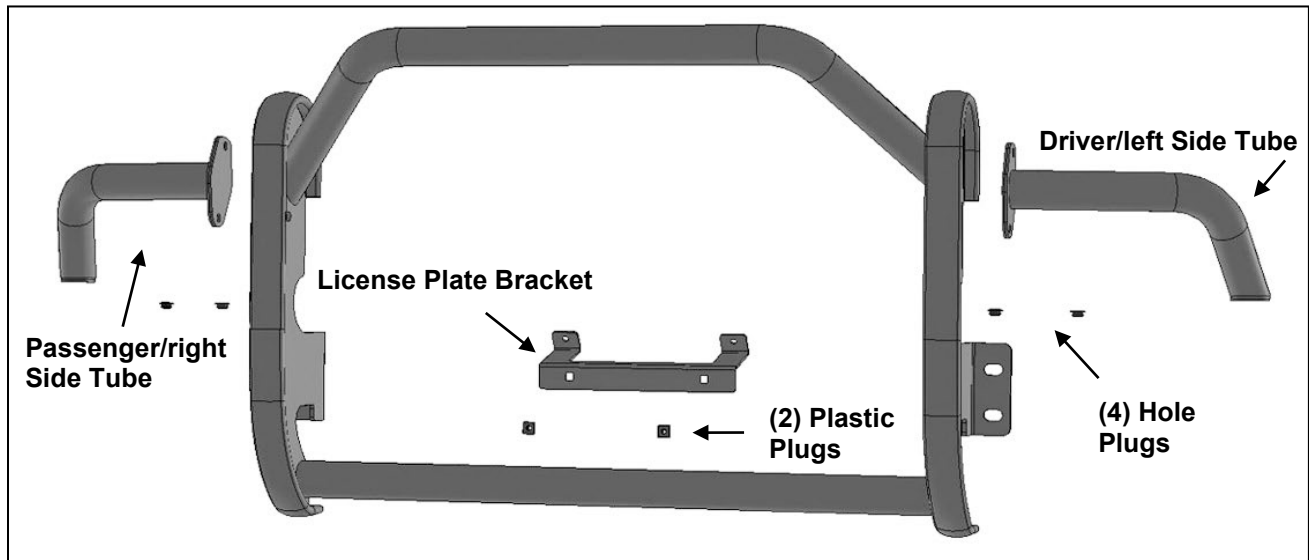
FBI HD TUBULAR FRONT BUMPER PUSH BAR

2021-26 FORD BRONCO

**FB1 HD TUBULAR FRONT BUMPER PUSH BAR
2021-26 FORD BRONCO**

PARTS LIST: FB14586

1	Push Bar	4	8mm x 24mm x 2mm Flat Washers
1	Driver/left Side Tube	4	8mm x 16mm x 1.6mm Flat Washers
1	Passenger/Right Side Tube	4	8mm Lock Washers
1	License Plate Bracket	4	8mm Hex Nuts
2	Plastic Plugs for License Plate	2	6-1.0mm x 20mm Combo Bolts
4	Plastic Hole Plugs	1	4mm Wrench
2	8-1.25mm x 25mm Hex Combo Bolts	1	5mm Wrench
4	8-1.25mm x 25mm Button Head Bolts		



PROCEDURE:

REMOVE CONTENTS FROM BOX AND VERIFY ALL PARTS ARE PRESENT. READ INSTRUCTIONS CAREFULLY. ASSISTANCE IS RECOMMENDED.

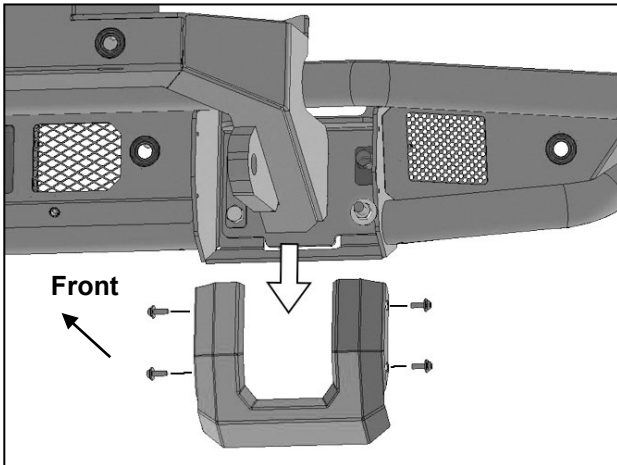
1. Start installation from under the front of the vehicle and remove the splash guard.
2. Remove the Top Hoop from the top of the Tubular Bumper if equipped. Fill the mounting holes with the included (4) Plugs. **NOTE:** It may be necessary to temporarily remove the Tubular Bumper to remove the Top Hoop.
3. Remove the U-Cover Plates from the front of the Tubular Bumper, **(Figure 1)**.
4. Remove the Single Bolt Plate and hardware attaching the Shackle Mount to the threaded stud in the Bumper, **(Figure 2)**.
5. Repeat **Steps 3 & 4** to remove the Bolt Plate and hardware from the passenger/right Shackle Mount.
6. Carefully unwrap the Push Bar.
7. Reuse the Single Bolt Plates and hardware from **Steps 4 & 5** to attach the Push Bar to the outer mounting holes in the Shackle Brackets, **(Figures 3 & 4)**. Do not fully tighten hardware at this time.
8. Locate and remove the driver/left outer plug from the top of the Bumper.
9. Select the driver/left Side Tube. Attach the Side Tube to the outside of the Push Bar with the included (2) 8mm x 25mm Button Head Bolts, (2) 8mm x 16mm Small Flat Washers (outside), (2) 8mm x 24mm Large Flat Washers (inside), (2) 8mm Lock Washers and (2) 8mm Hex Nuts, **(Figure 5)**. Leave hardware loose.
10. Attach the end of the Side Tube to the top of the Bumper with the included 8mm x 25mm Combo Hex Bolt, **(Figure 5 & 6)**.
11. Repeat **Steps 8—10** to install the passenger/right Side Tube.
12. Align and adjust the Push Bar as required and fully tighten all hardware.
13. Reinstall the U-Cover Plates, **(Figure 7)**.
14. Determine if bar style LED light will be installed on Push Bar. **NOTE:** Light not included.
LED Light Installation, (installation optional, reuse hardware from the HD Bumper installation):

**FB1 HD TUBULAR FRONT BUMPER PUSH BAR
2021-26 FORD BRONCO**

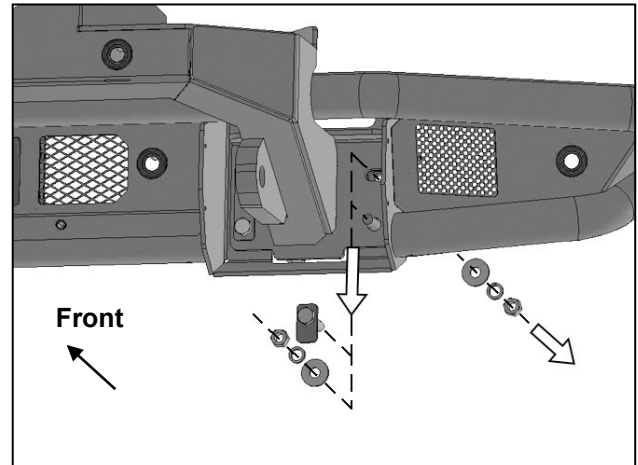
- a. Use the Light Brackets and hardware included with the HD Bumper to attach Brackets to either above or below top bar on the Push Bar.
- 15. Models with front license plate, attach the included License Plate Bracket with (2) 6mm Combo Bolts, **(Figure 8)**. Snap the included (2) Plastic Plugs into the Bracket.
- 16. All models, reinstall the lower splash guard.
- 17. Do periodic inspections to the installation to make sure that all hardware is secure and tight.

To protect your investment, do not use any type of polish or wax that may contain abrasives that could damage the finish. Mild soap may be used to clean the Push Bar.

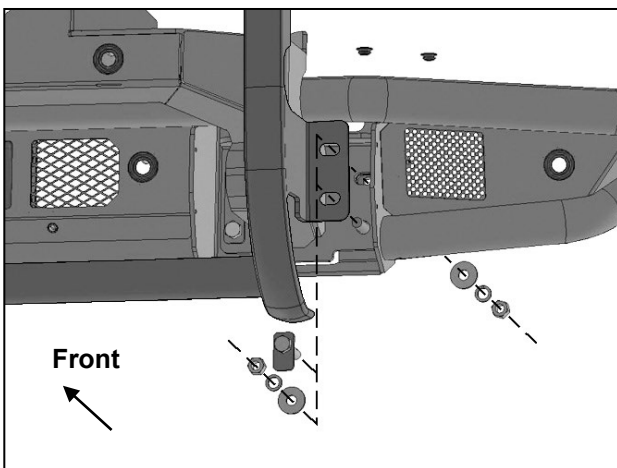
Driver/left Side Installation Pictured



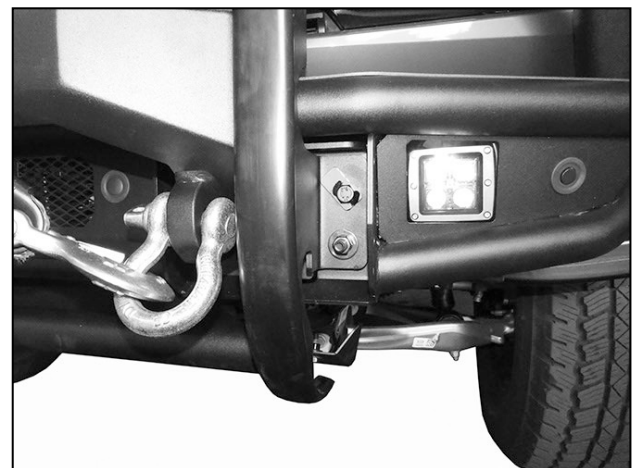
(Fig 1) Remove driver/left U-Cover



(Fig 2) Remove the Single Bolt Plate and hardware from the outside of Shackle Mount



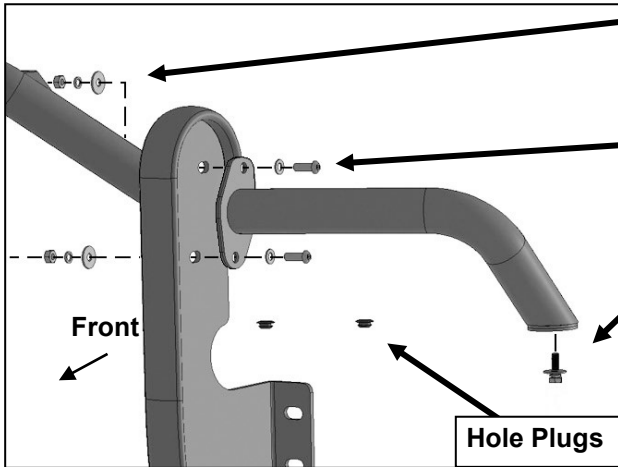
(Fig 3) Reuse Single Bolt Plate and hardware to attach Push Bar to outside of Shackle Mount



(Fig 4) Driver/left side of Push Bar attached to Bumper

**FB1 HD TUBULAR FRONT BUMPER PUSH BAR
2021-26 FORD BRONCO**

Driver/left Side Installation Pictured

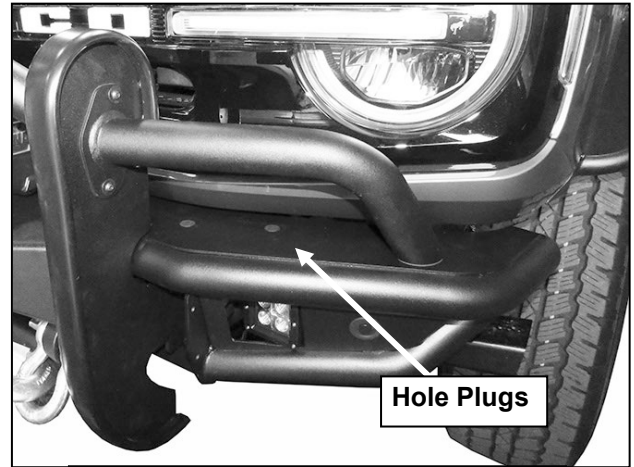


(2) 8mm x 24mm Large Flat Washers
(2) 8mm Lock Washers
(2) 8mm Hex Nuts

(2) 8mm x 25mm Button Head Bolts
(2) 8mm x 16mm Small Flat Washers

8mm x 25mm Combo Bolt

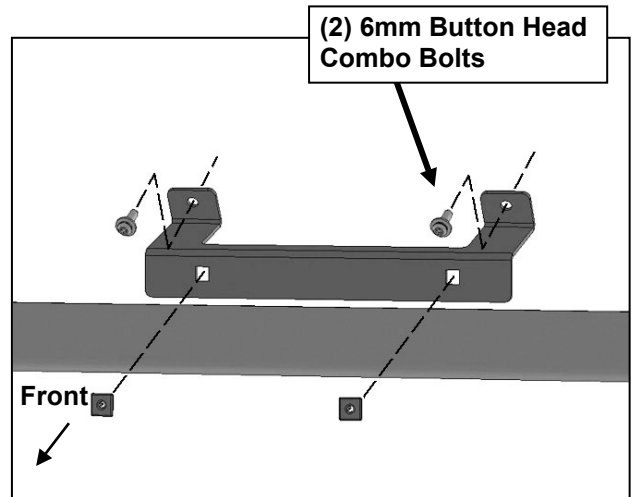
(Fig 5) Remove outer plug from top of Bumper. Attach driver/left Side Tube to outside of Push Bar upright and to top of Bumper



(Fig 6) Driver/left Side Tube installed. Plug extra mounting holes



(Fig 7) After Push Bar is aligned and all hardware fully tightened, reinstall U-Covers



(2) 6mm Button Head Combo Bolts

(Fig 8) Attach License Plate Bracket to Bumper. Push Plastic Plugs into square holes in Bracket

