

# **REDROCK**

## **INSTALLATION INSTRUCTIONS**

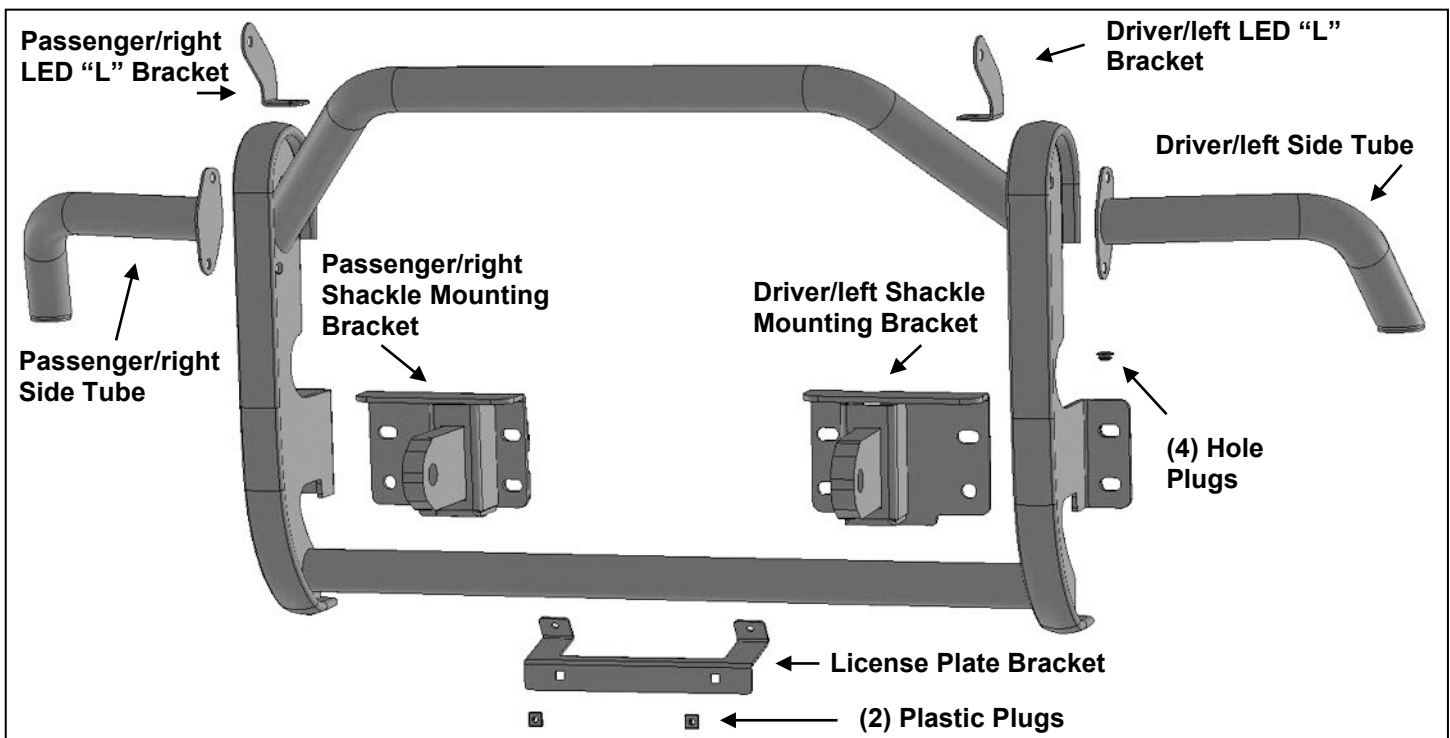
**LD TUBULAR FRONT BUMPER PUSH BAR**

**2021-26 FORD BRONCO**

**LD TUBULAR FRONT BUMPER PUSH BAR  
2021-26 FORD BRONCO**

**PARTS LIST: FB14577**

1	Push Bar	2	8-1.25mm x 25mm Hex Combo Bolts
1	Driver/left Side Tube	4	8-1.25mm x 25mm Button Head Bolts
1	Passenger/Right Side Tube	4	8mm x 24mm x 2mm Flat Washers
1	Driver/left Shackle Mount Bracket	4	8mm x 16mm x 1.6mm Flat Washers
1	Passenger/Right Shackle Mount Bracket	4	8mm Lock Washers
1	Driver/left LED "L" Bracket	4	8mm Hex Nuts
1	Passenger/Right LED "L" Bracket	2	6-1.0mm x 20mm Combo Bolts
1	License Plate Bracket	1	4mm Wrench
2	Plastic Plugs for License Plate	1	5mm Wrench
4	Plastic Hole Plugs		



**PROCEDURE:**

**REMOVE CONTENTS FROM BOX AND VERIFY ALL PARTS ARE PRESENT. READ INSTRUCTIONS CAREFULLY. ASSISTANCE IS RECOMMENDED.**

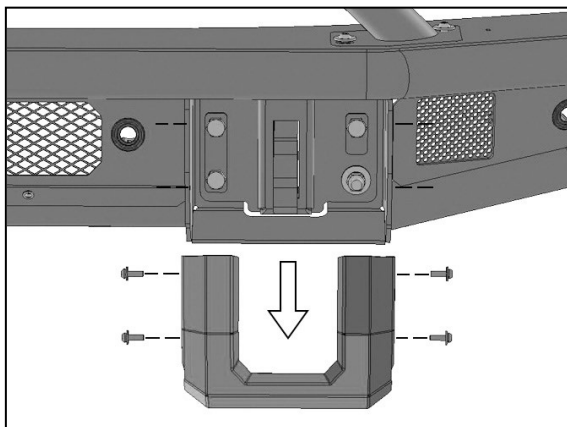
1. Start installation from under the front of the vehicle and remove the splash guard.
2. Remove the Top Hoop from the top of the Tubular Bumper if equipped. Fill the mounting holes with the included (4) Plugs. **NOTE:** It may be necessary to temporarily remove the Tubular Bumper to remove the Top Hoop. Follow Steps 3 & 4 to remove front LD Bumper.
3. Remove the U-Cover Plates from the front of the Tubular Bumper, **(Figure 1)**.
4. Remove the driver/left Shackle Mounting Bracket, **(Figure 2)**.
5. Select the new driver/left Offset Shackle Mounting Bracket. Reuse the 12mm Double Bolt Plate to attach the Shackle Bracket to the Bumper, **(Figures 3 & 4)**.
6. Repeat **Steps 3—5** to attach the passenger/right Offset Shackle Bracket.
7. Carefully unwrap the Push Bar.
8. Reuse the Single Bolt Plates and hardware from **Step 4** to attach the Push Bar to the outer mounting holes in the Offset Brackets, **(Figures 5 & 6)**. Do not fully tighten hardware at this time.
9. Locate and remove the driver/left outer plug from the top of the Bumper, **(Figure 8)**.

**LD TUBULAR FRONT BUMPER PUSH BAR  
2021-26 FORD BRONCO**

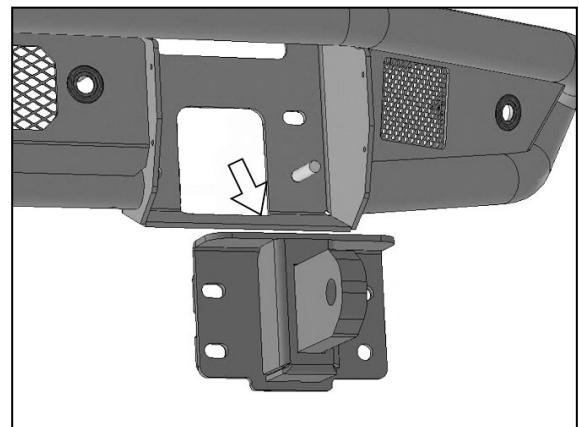
10. Select the driver/left Side Tube. Attach the Side Tube to the outside of the Push Bar with the included (2) 8mm x 25mm Button Head Bolts, (2) 8mm x 16mm Small Flat Washers (outside), (2) 8mm x 24mm Large Flat Washers (inside), (2) 8mm Lock Washers and (2) 8mm Hex Nuts, **(Figure 7)**. Leave hardware loose.
11. Attach the end of the Side Tube to the top of the Bumper with the included 8mm x 25mm Hex Bolt, 8mm Lock Washer and 8mm x 24mm Large Flat Washer, **(Figure 7 & 8)**.
12. Repeat **Steps 9—11** to install the passenger/right Side Tube.
13. Align and adjust the Push Bar as required and fully tighten all hardware.
14. Reinstall the U-Cover Plates, **(Figure 8)**.
15. Determine if bar style LED light will be installed on Push Bar. **NOTE:** Light not included.  
LED Light Installation, (installation optional, reuse hardware from the LD Bumper installation):
  - a. Select the Left and Right “L” Brackets. Use the hardware included with the LD Bumper to attach Brackets to either above or below top bar on the Push Bar, **(Figure 9)**.
  - b. Attach the LED Light Bar to the Brackets with the included (2) 8mm x 16mm Hex Bolts, (2) 8mm Lock Washers and (2) 8mm x 24mm Flat Washers packaged with the LD Bumper, **(Figure 9)**.
16. Models with front license plate, attach the included License Plate Bracket with (2) 6mm Combo Bolts, **(Figure 10)**. Snap the included (2) Plastic Plugs into the Bracket.
17. All models, reinstall the lower splash guard.
18. Do periodic inspections to the installation to make sure that all hardware is secure and tight.

**To protect your investment**, do not use any type of polish or wax that may contain abrasives that could damage the finish. Mild soap may be used to clean the Push Bar.

**Driver/left Side Installation Pictured**

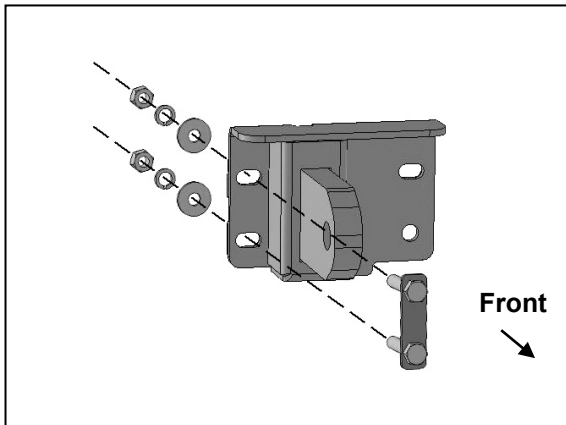


**(Fig 1) Remove driver/left U-Cover**



**(Fig 2) Remove driver/left Shackle Mounting Bracket.**

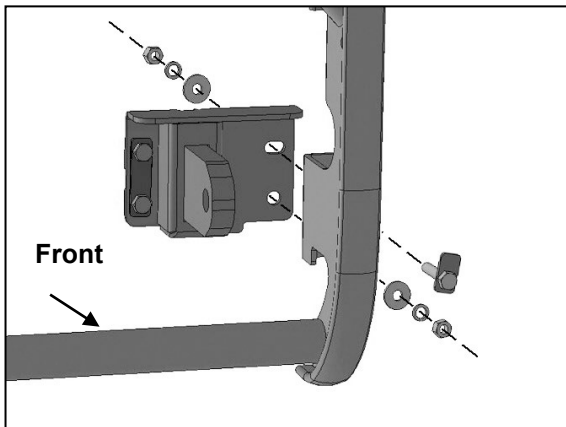
Driver/left Side Installation Pictured



(Fig 3) Reuse 12mm Double Bolt Plate to attach Offset Shack Mount



(Fig 4) Offset Shack Mount installed



(Fig 5) Reuse Single Bolt Plate and hardware to attach Push Bar to outside of Offset Shackle Mount



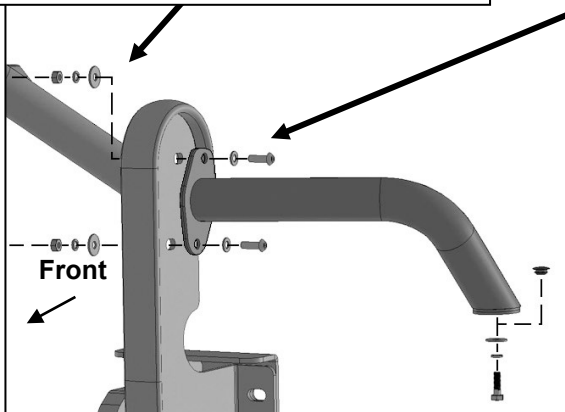
(Fig 6) Driver/left side of Push Bar attached to Bumper

**LD TUBULAR FRONT BUMPER PUSH BAR  
2021-26 FORD BRONCO**

**Driver/left Side Installation Pictured**

- (2) 8mm x 24mm Large Flat Washers
- (2) 8mm Lock Washers
- (2) 8mm Hex Nuts

- (2) 8mm x 25mm Button Head Bolts
- (2) 8mm x 16mm Small Flat Washers



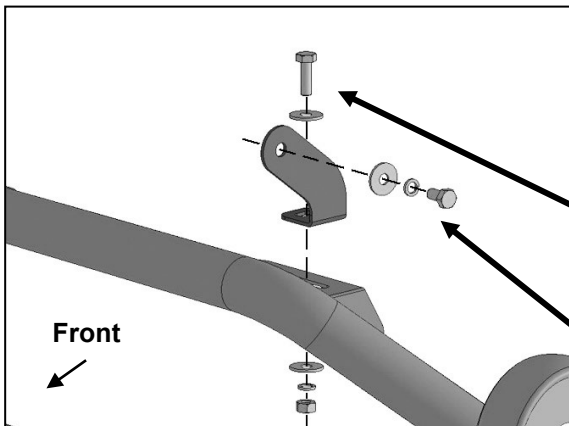
- 8mm x 25mm Hex Bolt
- 8mm Lock Washer
- 8mm Large Flat Washer



Hole Plugs

(Fig 7) Remove plug from Bumper. Attach driver/left Side Tube to outside of Push Bar upright and to top of Bumper

(Fig 8) After Push Bar is aligned, adjusted and all hardware fully tightened, reinstall U-Covers

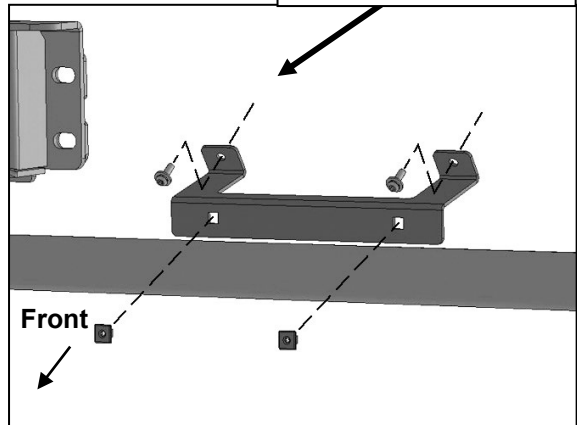


See LD Bumper hardware kit

See LD Bumper hardware kit

(Fig 9) Attach LED L Light Brackets above or below mount on Push Bar with hardware included in LD Bumper kit

- (4) 6mm Button Head Combo Bolts



(Fig 10) Attach License Plate Bracket to Bumper. Push Plastic Plugs into square holes in Bracket

