



INSTALLATION INSTRUCTIONS

TUBULAR STYLE REAR FENDERS

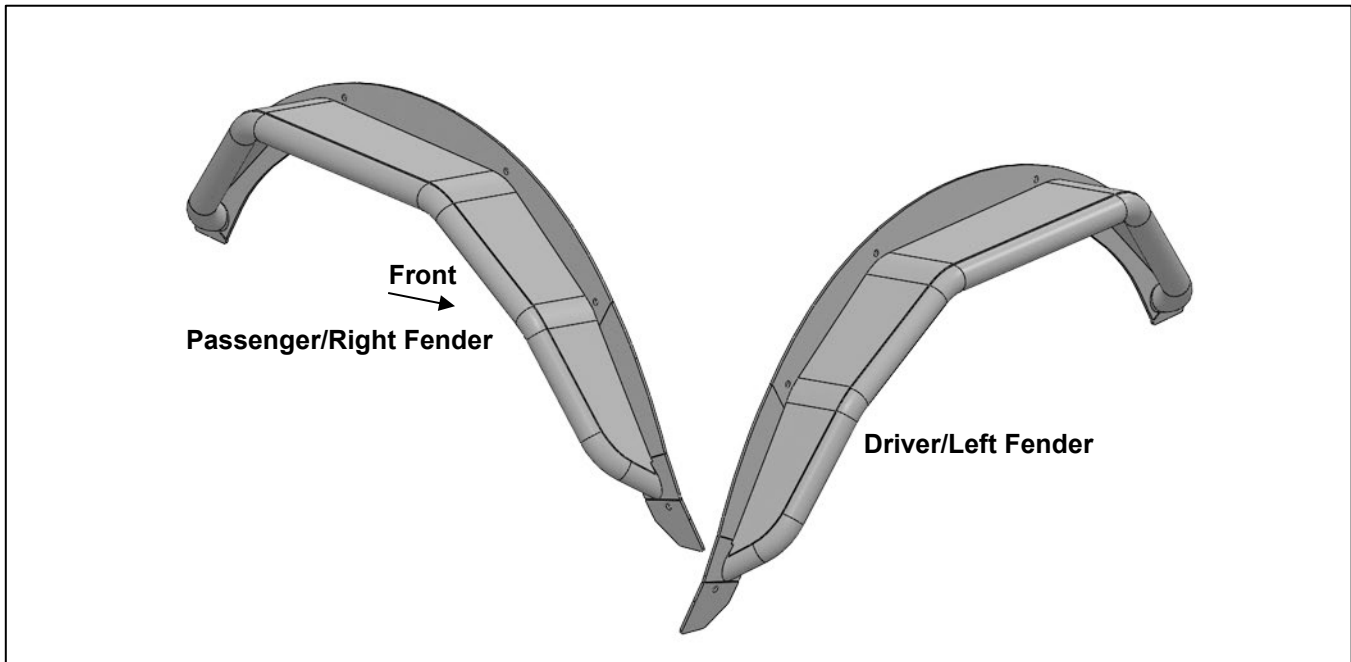
2021-22 FORD BRONCO 4DR

FB14029

**TUBULAR STYLE REAR FENDERS
2021-22 FORD BRONCO 4DR**

PARTS LIST: FB14029

1	Driver/Left Rear Fender Flare	12	6mm Lock Washers
1	Passenger/Right Rear Fender Flare	2	6mm T-Nut Plates
12	6mm x 25mm Button Head Bolts	4	6mm Nut Plates
12	6mm x 12mm OD x 1.6mm Flat Washers	1	4mm Hex Wrench



PROCEDURE:

REMOVE CONTENTS FROM BOX. VERIFY ALL PARTS ARE PRESENT. READ INSTRUCTIONS CAREFULLY. ASSISTANCE IS RECOMMENDED.

1. Start installation on the Driver/Left side of the vehicle. Locate the plastic clips attaching the fender to the body of the vehicle, **(Figure 1)**. Rotate counter clockwise to release the clips. Carefully pry the fender away from the vehicle and place in a safe location, **(Figure 2)**.
2. Locate the hardware attaching the fender liner to the outer edge of the wheel well. Temporarily remove the hardware to access the backside of the fender location.
3. Select the Driver/Left Fender. With assistance, hold up the Fender to the mounting location. Determine the holes needed in the body.
4. Attach the front (2) holes in the front of the Fender to the body with (2) 6mm Button Head Bolts, (2) 6mm Lock Washers, (2) 6mm Flat Washers and (2) 6mm Nut Plates, **(Figure 3)**. Do not tighten hardware.
5. Reuse the factory thread inserts to attach the top (3) holes in the Fender with (3) 6mm Button Head Bolts, (3) 6mm Lock Washers and (3) 6mm Flat Washers, **(Figures 3 & 4)**. Do not tighten hardware.
6. Attach the bottom rear hole of the fender to the body with (1) 6mm Button Head Bolt, (1) 6mm Lock Washer, (1) 6mm Flat Washer and (1) 6mm T-Nut Plate, **(Figure 4)**. Do not tighten hardware.
7. Adjust the position of the Fender and fully tighten all hardware.
8. Repeat **Steps 1—7** for Passenger/Right side Fender installation.
9. Do periodic inspections to the installation to make sure that all hardware is secure and tight.

To protect your investment, do not use any type of polish or wax that may contain abrasives that could damage the finish. Mild soap may be used to clean the Fenders.

**TUBULAR STYLE REAR FENDERS
2021-22 FORD BRONCO 4DR**

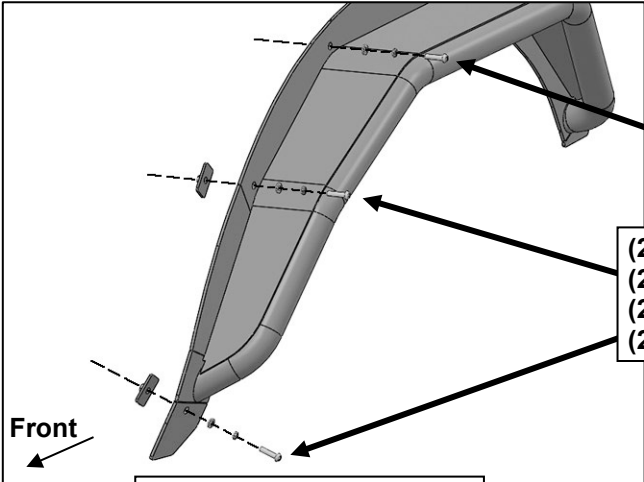
Driver/Left Side Installation Pictured



(Fig 1) Locate the clips under the factory fender, turn the clips counter clockwise. Carefully pry the fender away from vehicle



(Fig 2) Locate and temporarily remove the hardware attaching the fender liner to the edge of the wheel well

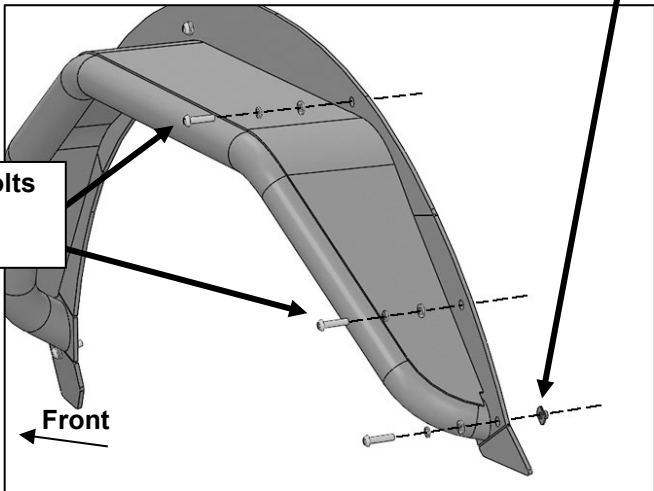


**6mm Button Head Bolt
6mm Lock Washer
6mm Flat Washer**

**(2) 6mm Button Head Bolts
(2) 6mm Lock Washers
(2) 6mm Flat Washers
(2) 6mm Nut Plates**

**6mm Button Head Bolt
6mm Lock Washer
6mm Flat Washer
6mm T-Nut**

(Fig 3) Attach the front of the Fender to the vehicle



**(2) 6mm Button Head Bolts
(2) 6mm Lock Washers
(2) 6mm Flat Washers**

(Fig 4) Attach the rear of the Fender to the vehicle