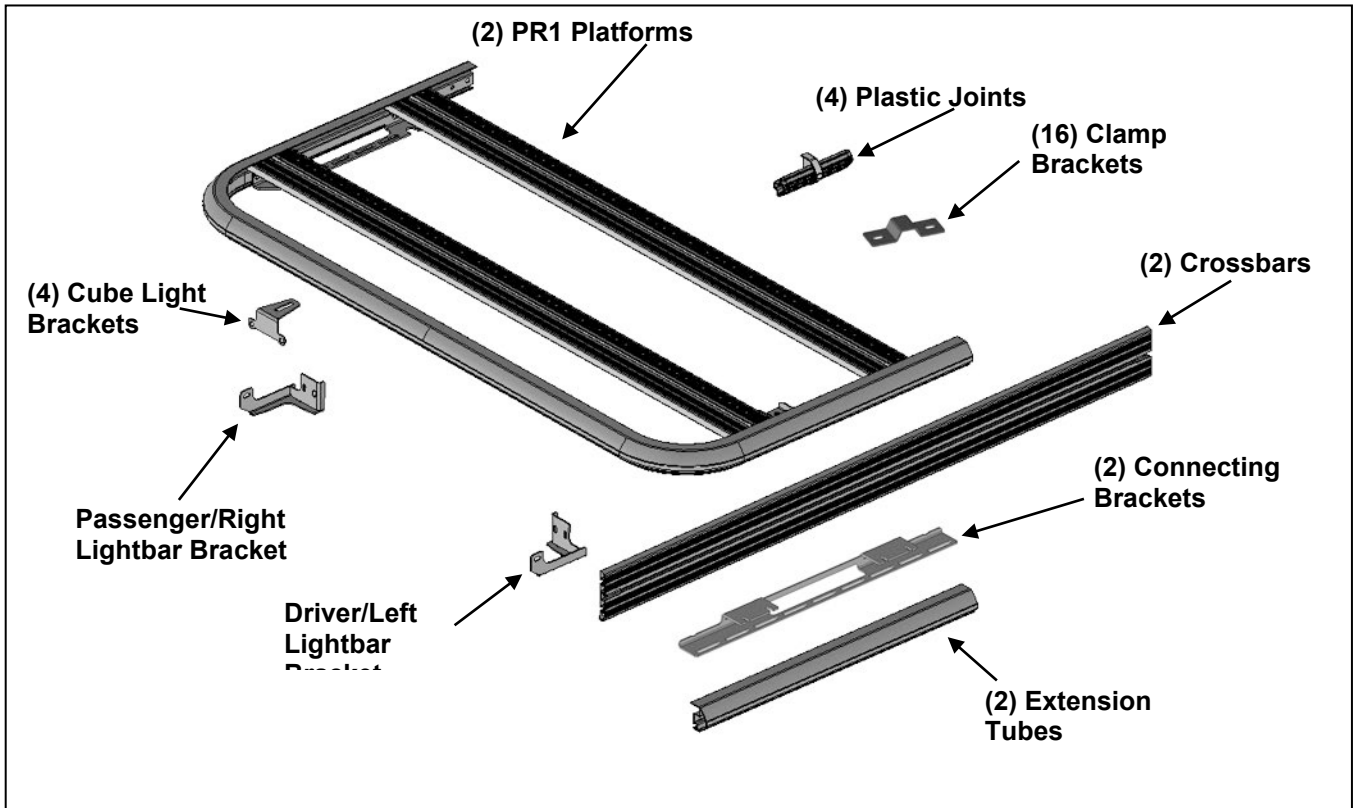


**PARTS LIST:**

2	PR1 Platforms	2	8mm x 24mm OD x 2mm Flat Washers
2	Extension Tubes	32	8mm x 16mm OD x 1.6mm Flat Washers
2	Crossbars	2	8mm Lock Washers
2	Extension Connecting Brackets	16	8mm Nylon Lock Nuts
4	Plastic Connecting Joints	8	6mm Double Nut Plates
8	Mounting Brackets	8	6mm x 20mm T-Bolts
1	Driver/Left Lightbar Bracket	24	6mm x 20mm Button Head Combo Bolt
1	Passenger/Right Lightbar Bracket	24	6mm x 18mm OD x 1.6mm Flat Washers
4	Cube Light Brackets	8	6mm Flange Nuts
16	Clamp Brackets	16	6mm Nylon Lock Nuts
16	Adhesive Foam Strips	1	5mm Hex Wrench
16	8mm x 30mm Hex Bolts	1	4mm Hex Wrench
2	8mm x 16mm Button Head Bolts		

**CAUTION: Recommended load rate is 300 lbs. Platform only, too much weight will greatly reduce the stability of the vehicle and increase the vehicle's tendency to overturn or damage roof. The manufacturer makes no representation or warranty as to the amount of weight that the vehicle can safely carry. For guidance, we recommend that you consult the vehicle manufacturer. Secure all payloads properly for safe transportation.**



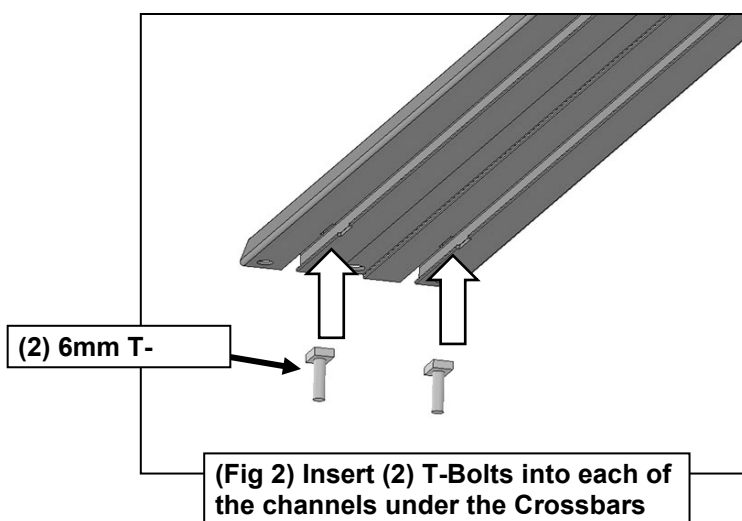
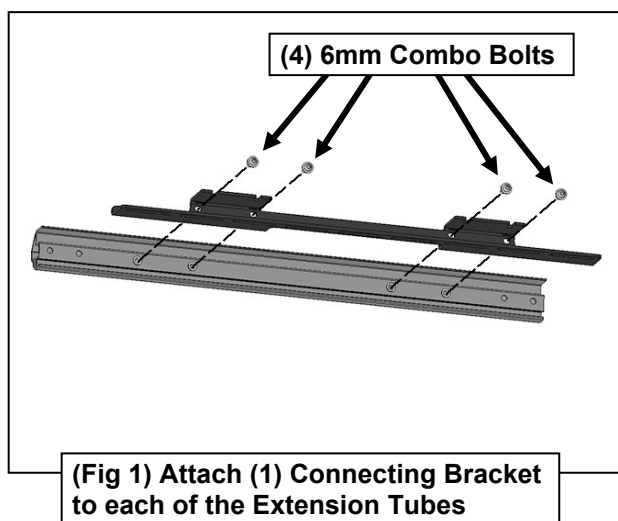
**PROCEDURE: REMOVE CONTENTS FROM BOX. VERIFY ALL PARTS ARE PRESENT. READ INSTRUCTIONS CAREFULLY BEFORE STARTING INSTALLATION. ASSISTANCE RECOMMENDED.**

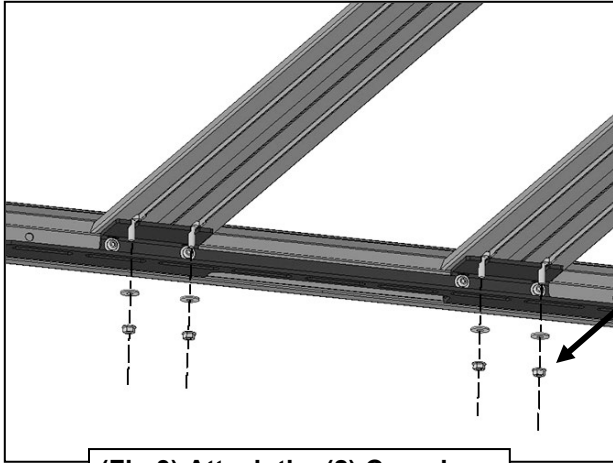
1. Select (1) Extension Tubes and (1) Connecting Bracket. Attach the Connecting Bracket to the Extension Tube with (4) 6mm Combo Bolts, **(Figure 1)**. Do not tighten hardware. Repeat this **Step** to attach the other Connecting Bracket to the other Extension Tube.

**FB13741 ALUMINUM PLATFORM RACK FOR BARRICADE HD ADVENTURE ROOF RACK ONLY  
2021-22 FORD BRONCO 4 DOOR**

2. Select the (2) Crossbars. Insert (2) 6mm T-Bolts into each channel under the Crossbars, (8) 6mm T-Bolts in total, **(Figure 2)**.
  3. Next, Attach the (2) Crossbars to the (2) Extension Tubes with (8) 6mm Flat Washers and (8) 6mm Flange Nuts, **(Figure 3)**. Do not tighten hardware.
  4. Slide the (4) Plastic Joints into the ends of the Extension Tubes and PR1 Platform, **(Figure 4)**. Secure the Platform and Tubes to the Joints with (16) 6mm Combo Bolts, **(Figure 5)**. Do not tighten hardware.
  5. Move to the front end of the Platform. Select the Light Bar Brackets and (2) Cube Light Brackets. Temporarily remove the hardware from the T-Bolts. Reuse the hardware to attach the Light Brackets to the Platform, **(Figure 6)**.
  6. Select the (16) Clamp Brackets. Attach (1) Adhesive Foam Strip into the bend each of the Clamp Brackets, **(Figure 7)**.
  7. With assistance, place the Platform assembly onto the crossbars of a roof rack. Determine which slots will be needed to attach the (8) Mounting Brackets. Attach the (8) Mounting Brackets to the slots with (8) 6mm Double Bolt Plates, (16) 6mm Flat Washers and (16) 6mm Nylon Lock Nuts, **(Figure 8)**. Do not tighten hardware.
  8. Slide (1) Clamp Bracket underneath each of the Mounting Brackets and onto the roof rack. Secure each Clamp Bracket and Mounting Bracket to the roof rack with (16) 8mm x 30mm Hex Bolts, (32) 8mm x 18mm Flat Washers and (16) 8mm Nylon Lock Nuts, **(Figures 9 & 10)**. Do not tighten hardware.
  9. Level and adjust the PR1 Platform and tighten all hardware.
  10. **Light Bar installation, (Light Bar not included)**
    - a. Attach the Light Bar to the Light Bar Brackets with (2) 8mm x 16mm Button Head Bolts, (2) 8mm Lock Washers and (2) 8mm x 24mm Flat Washers, **(Figure 11)**.
    - b. Follow the Light Bar's manufacturer instructions for proper wiring.
- Light Cube installation, (Light Cube not included):**
- a. Attach (1) Light Cube to the Light Cube Brackets.
  - b. Follow the Light Bar's manufacturer instructions for proper wiring.
11. Do periodic inspections to the installation to make sure that all hardware is secure and tight.

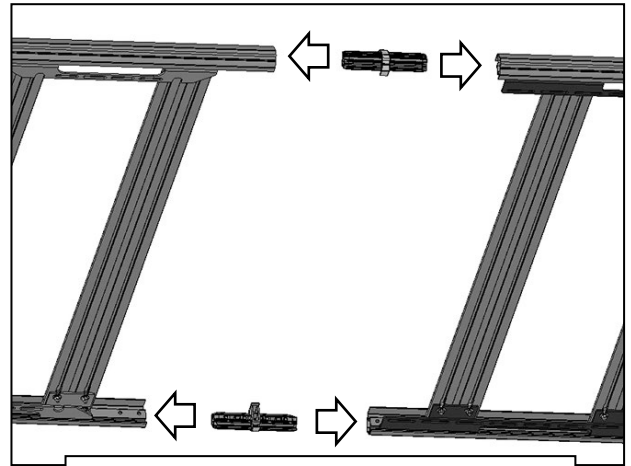
**To protect your investment,** Do not use any type of polish or wax that may contain abrasives that could damage the finish. Mild soap may be used to clean the Roof Basket.



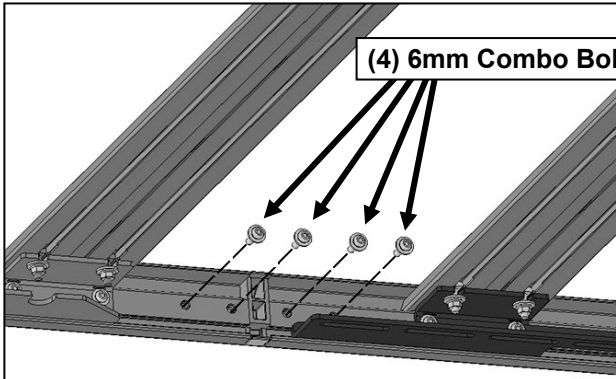


(4) 6mm Flat Washers  
(4) 6mm Flange Nuts

(Fig 3) Attach the (2) Crossbars to the Connecting Brackets

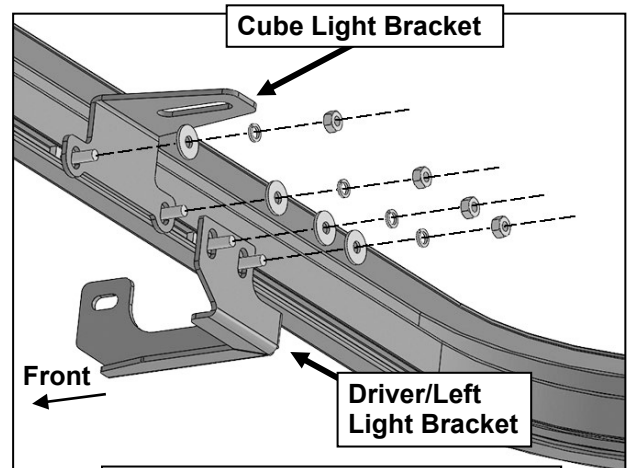


(Fig 4) Slide the Plastic Joints into the ends of the Tubes and PR1 Platform

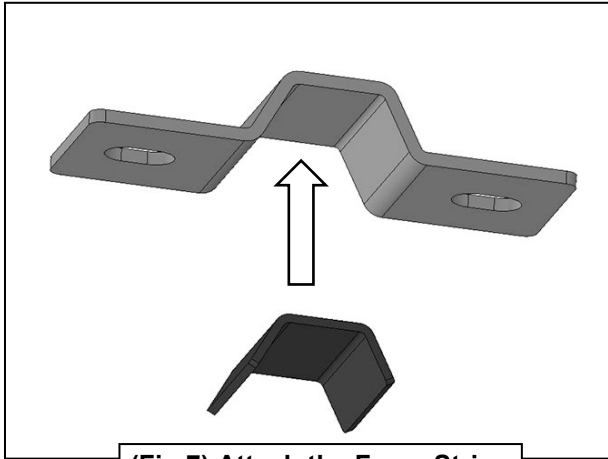


(4) 6mm Combo Bolts

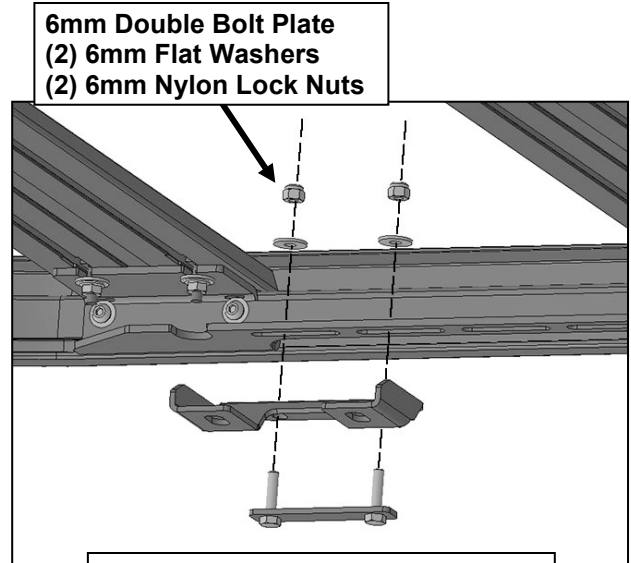
(Fig 5) Secure the PR1 Platforms, Extension Tubes and Plastic Joints together



(Fig 6) Remove the 6mm hardware to attach the Light Brackets

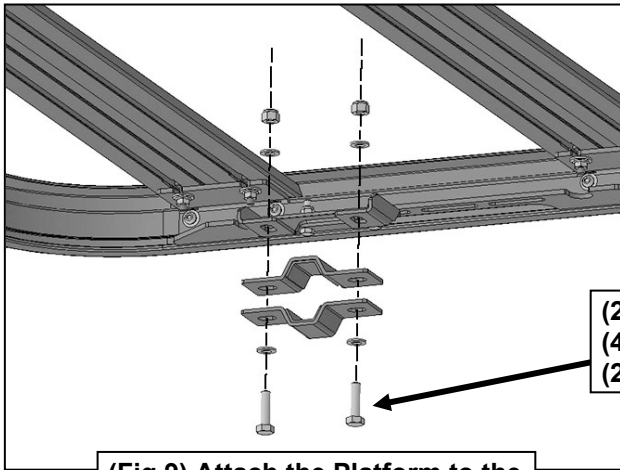


(Fig 7) Attach the Foam Strips onto the Clamp Brackets



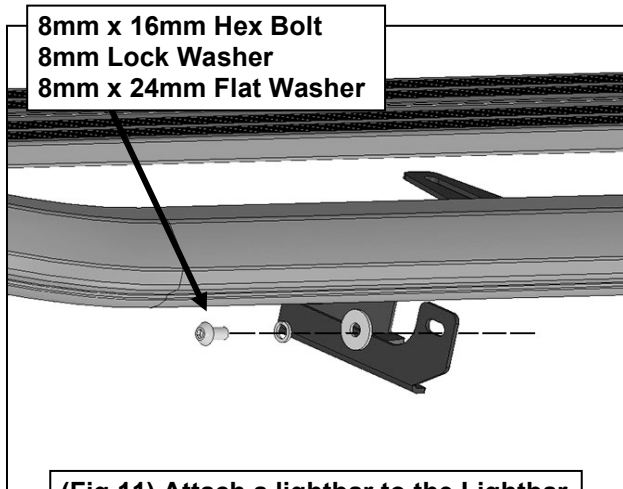
- 6mm Double Bolt Plate
- (2) 6mm Flat Washers
- (2) 6mm Nylon Lock Nuts

(Fig 8) Attach (1) Mounting Bracket to the bottom of the PR1 Platform



- (2) 8mm x 30mm Hex Bolts
- (4) 8mm x 18mm Flat Washers
- (2) 8mm Nylon Lock Nuts

(Fig 9) Attach the Platform to the crossbars on the vehicle using the (16) Clamp Brackets



- 8mm x 16mm Hex Bolt
- 8mm Lock Washer
- 8mm x 24mm Flat Washer

(Fig 11) Attach a lightbar to the Lightbar Brackets (Lightbar not included)



(Fig 10) Platform attached to the crossbars on the vehicle