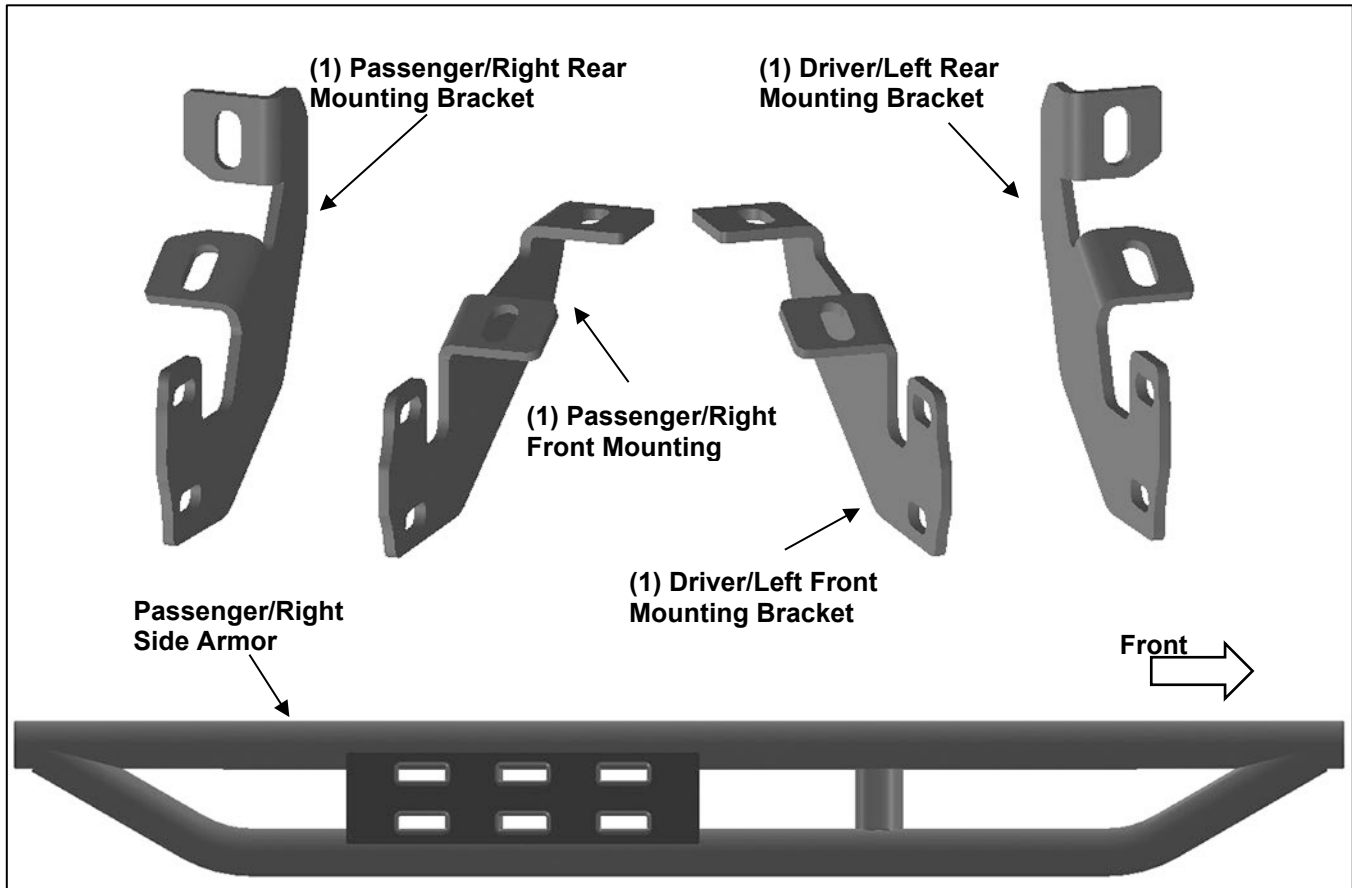


**PARTS LIST:**

1	Driver/Left Side Armor	8	10mm x 35mm Hex Bolts
1	Passenger/Right Side Armor	8	10mm x 30mm Hex Bolts
1	Driver/Left Front Mounting Bracket	8	10mm Lock Washers
1	Passenger/Right Front Mounting Bracket	24	10mm x 27mm OD x 3mm Flat Washers
1	Driver/Left Rear Mounting Bracket	8	10mm Nylon Lock Nuts
1	Passenger/Right Rear Mounting Bracket		

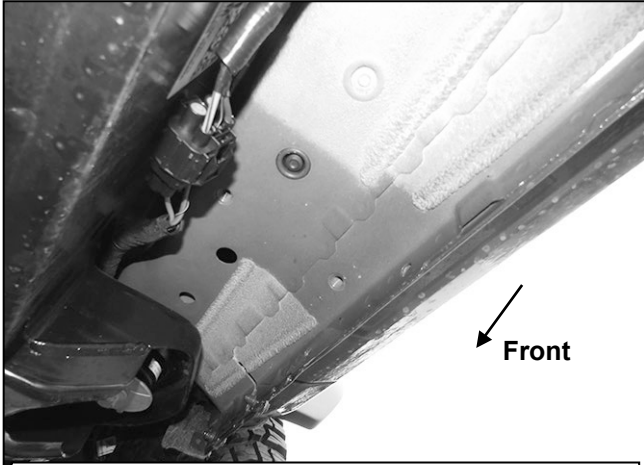
**PROCEDURE:**

- 1. REMOVE CONTENTS FROM BOX. VERIFY ALL PARTS ARE PRESENT. READ INSTRUCTIONS CAREFULLY BEFORE STARTING INSTALLATION.**
- Starting from underneath the Passenger/Right body panel, locate the front mounting location and the threaded holes in the body panel, **(Figure 1)**. Remove the plastic plugs covering the holes.
- Select the Passenger/Right Front Mounting Bracket. Attach the Mounting Bracket to the front location with (2) 10mm x 30mm Hex Bolts, (2) 10mm Lock Washers and (2) 10mm Flat Washers, **(Figure 2)**. Do not tighten hardware.
- Repeat **Steps 2 & 4** to attach (1) Rear Mounting Bracket to the rear location, **(Figures 3 & 4)**. Do not tighten hardware.
- Select the Passenger/Right Side Armor. Line up the mounting tabs on the Side Armor to the rear faces of the Mounting Brackets. Attach the Side Armor to the Mounting Brackets with (4) 10mm x 35mm Hex Bolts, (8) 10mm Flat Washers and (4) 10mm Nylon Lock Nuts, **(Figure 5)**. Do not tighten hardware.
- Level and adjust the Side Armor and tighten all hardware.
- Repeat **Steps 1—6** to attach the Driver/Left Side Armor.

8. Do periodic inspections to the installation to make sure that all hardware is secure and tight.

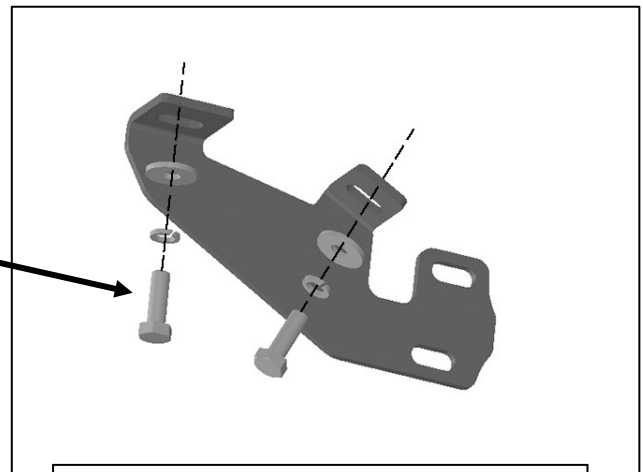
**To protect your investment,** Do not use any type of polish or wax that may contain abrasives that could damage the finish. Mild soap may be used to clean the Side Armor.

**Passenger/Right side Installation Pictured**

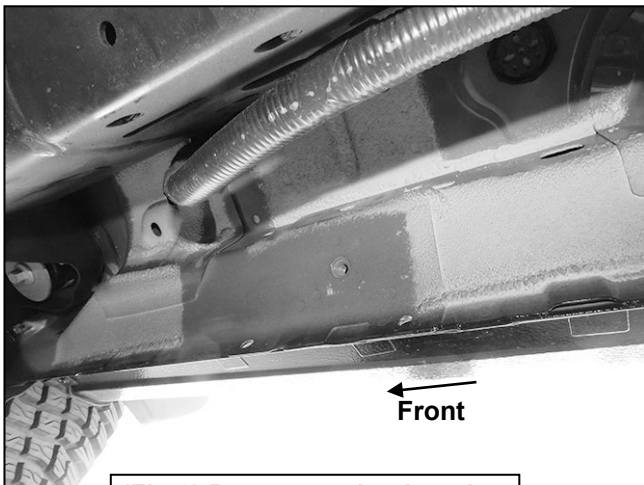


**(Fig 1) Passenger/Right front mounting location**

- (2) 10mm x 30mm Hex Bolts
- (2) 10mm Lock Washers
- (2) 10mm Flat Washers

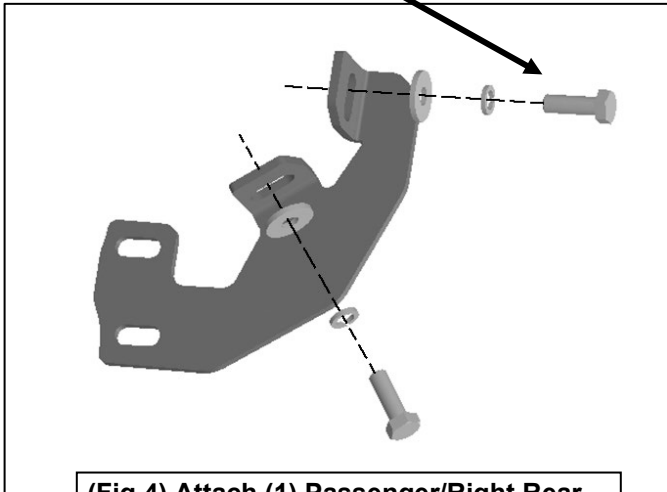


**(Fig 2) Attach the Passenger/Right Front Mounting Bracket to the front location**



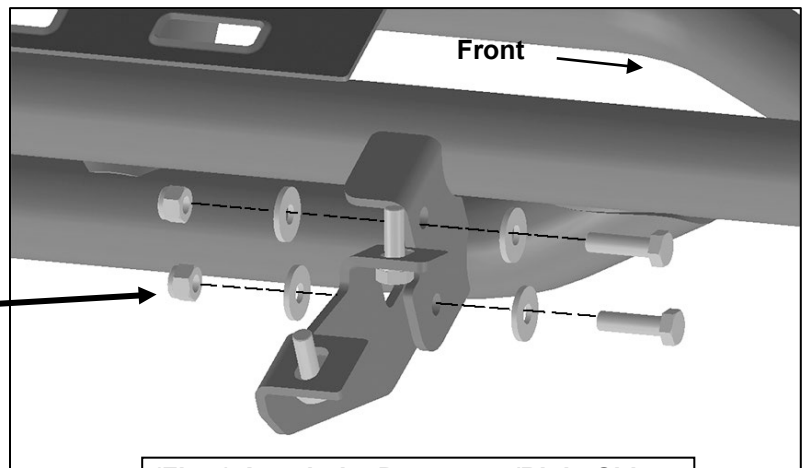
**(Fig 3) Rear mounting location (Driver/Left side shown)**

- (2) 10mm x 30mm Hex Bolts
- (2) 10mm Lock Washers
- (2) 10mm Flat Washers



**(Fig 4) Attach (1) Passenger/Right Rear Mounting Bracket to the center location**

- (2) 10mm x 35mm Hex Bolts
- (4) 10mm Flat Washers
- (2) 10mm Nylon Lock Nuts



**(Fig 5) Attach the Passenger/Right Side Armor to the Mounting Brackets**