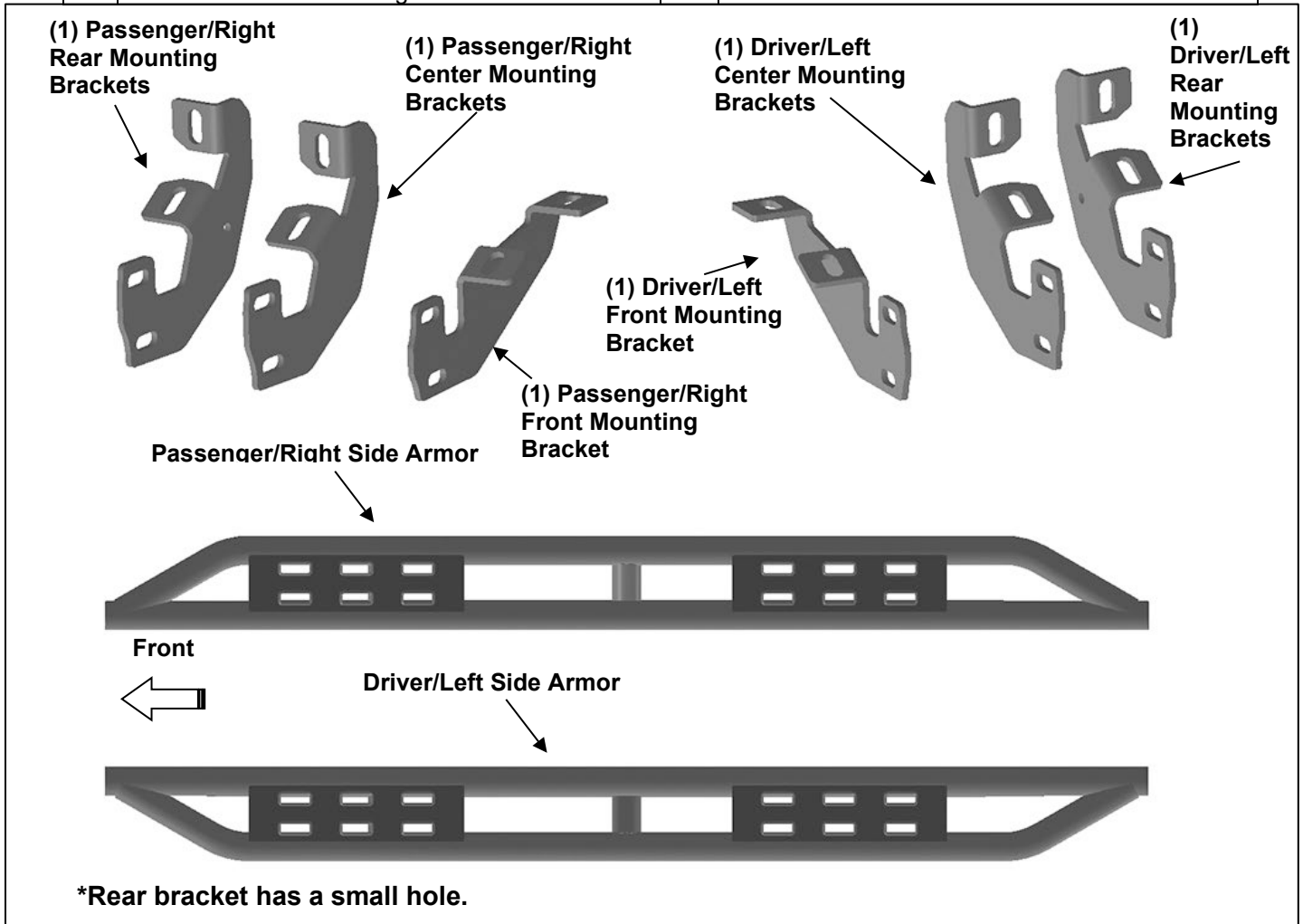


PARTS LIST:

1	Driver/Left Side Armor	1	Passenger/Right Rear Mounting Bracket
1	Passenger/Right Side Armor	12	10-1.5mm x 35mm Hex Bolts
1	Driver/Left Front Mounting Bracket	12	10-1.5mm x 30mm Hex Bolts
1	Passenger/Right Front Mounting Bracket	12	10mm Lock Washers
1	Driver/Left Center Mounting Bracket	36	10mm x 27mm OD x 3mm Flat Washers
1	Passenger/Right Center Mounting Bracket	12	10mm Nylon Lock Nuts
1	Driver/ Left Rear Mounting Bracket		



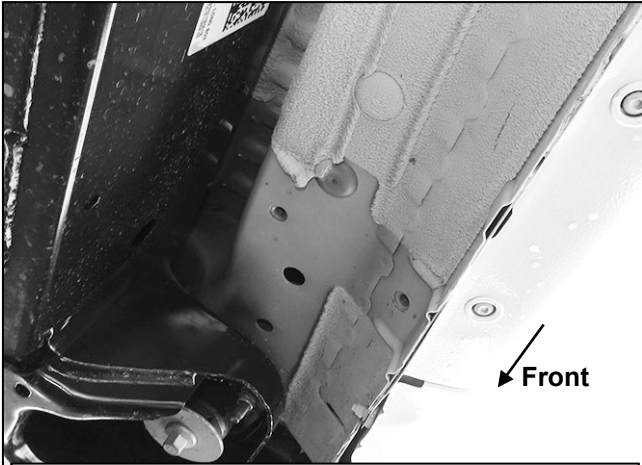
PROCEDURE:

1. REMOVE CONTENTS FROM BOX. VERIFY ALL PARTS ARE PRESENT. READ INSTRUCTIONS CAREFULLY BEFORE STARTING INSTALLATION.
2. Starting from underneath the Passenger/Right side inner rocker panel, locate the threaded mounting holes in the rocker panel, **(Figure 1)**. Remove the plastic plugs covering the mounting holes. Select the Passenger/Right Front Mounting Bracket, **(Figure 2)**. Attach bracket to Passenger/Right front location with (2) 10mm x 30mm Hex Bolts, (2) 10mm Lock Washers and (2) 10mm Flat Washers, **(Figures 2 & 3)**. Do not tighten hardware. **Note:** Rear bracket has a small hole.
3. Locate the Center and Rear threaded mounting holes. Select (1) Passenger/Right Center Mounting Bracket and (1) Passenger/Right Rear Mounting Bracket. Attach with (2) 10mm x 30mm Hex Bolts, (2) 10mm Lock Washers and (2) 10mm Flat Washers, **(Figures 4—7)**. Do not tighten hardware.
4. Repeat **Step 3** to install Rear Mounting Bracket, **(Figures 6 & 8)**.

5. Select the Passenger/Right Side Armor. Use the illustration above to determine the correct side armor. Line up the Side Armor onto the front face of the (3) Mounting Brackets. Attach Side Armor to the brackets with (6) 10mm x 35mm Hex Bolts, (12) 10mm Flat Washers and (6) 10mm Nylon Lock Nuts, **(Figures 9—12)**.
6. Level and adjust Side Armor and tighten all hardware.
7. Repeat **Steps 2—6** for Driver/Left side installation.
8. Do periodic inspections to the installation to make sure that all hardware is secure and tight.

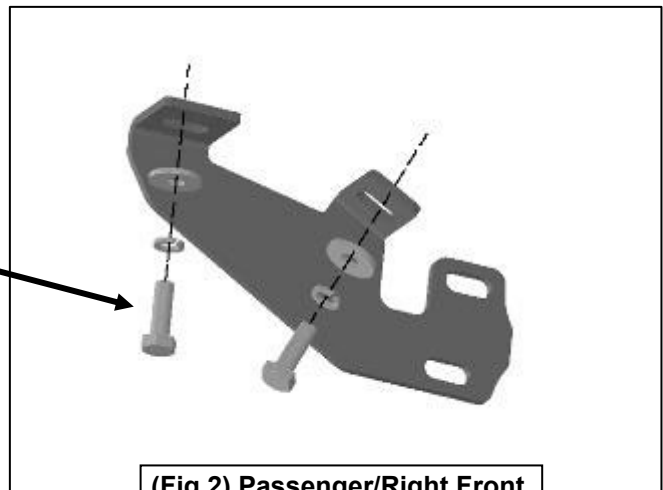
To protect your investment, Do not use any type of polish or wax that may contain abrasives that could damage the finish. Mild soap may be used to clean the Side Armor.

Passenger/Right side Installation Pictured

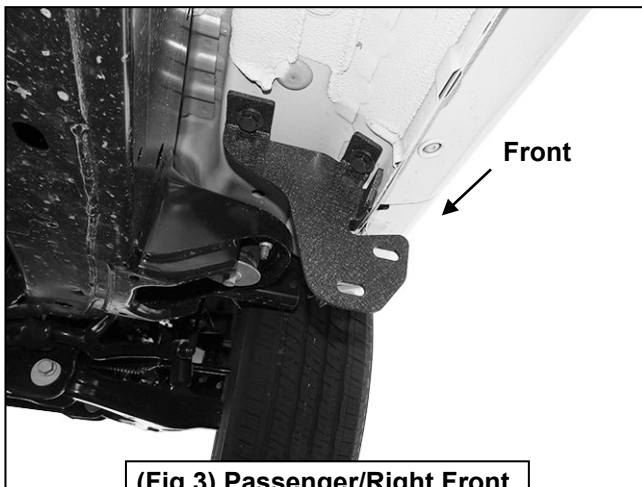


(Fig 1) Passenger/Right front mounting location

- (2) 10mm x 30mm Hex Bolts
- (2) 10mm Lock Washers
- (2) 10mm Flat Washers

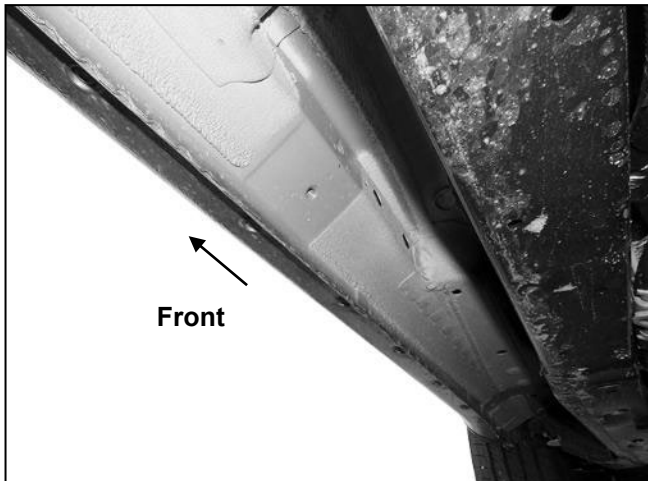


(Fig 2) Passenger/Right Front Mounting Bracket installation



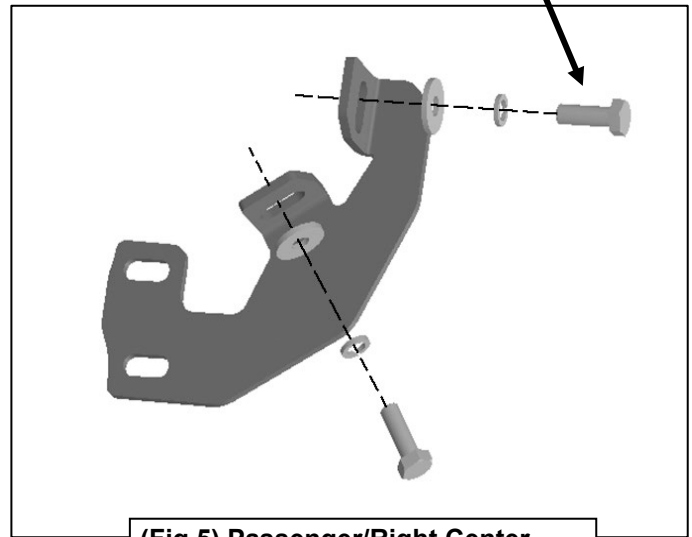
(Fig 3) Passenger/Right Front Mounting Bracket attached

Passenger/Right side Installation Pictured



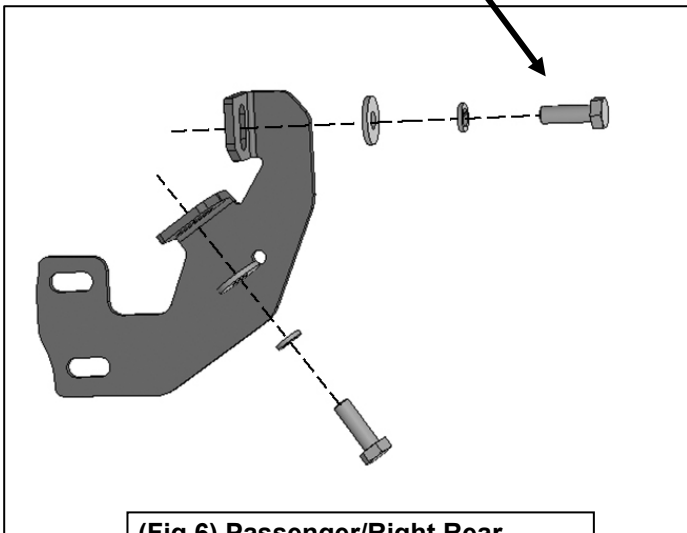
(Fig 4) Passenger/Right Center mounting location

- (2) 10mm x 30mm Hex Bolts
- (2) 10mm Lock Washers
- (2) 10mm Flat Washers

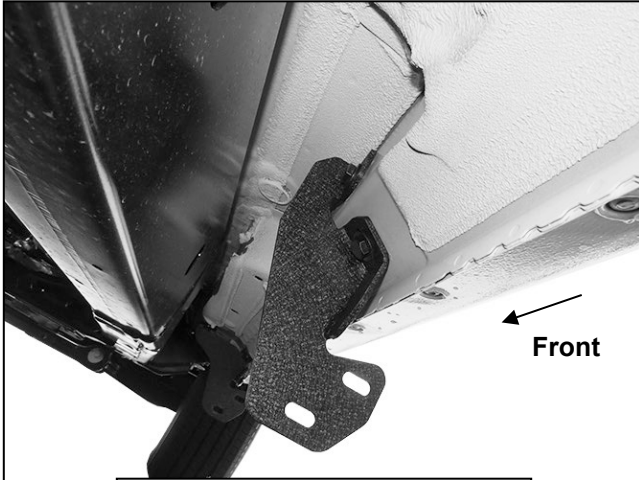


(Fig 5) Passenger/Right Center mounting Bracket installation

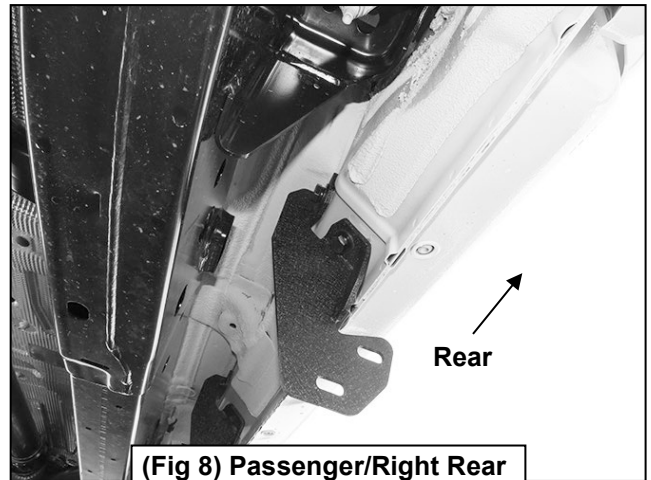
- (2) 10mm x 30mm Hex Bolts
- (2) 10mm Lock Washers
- (2) 10mm Flat Washers



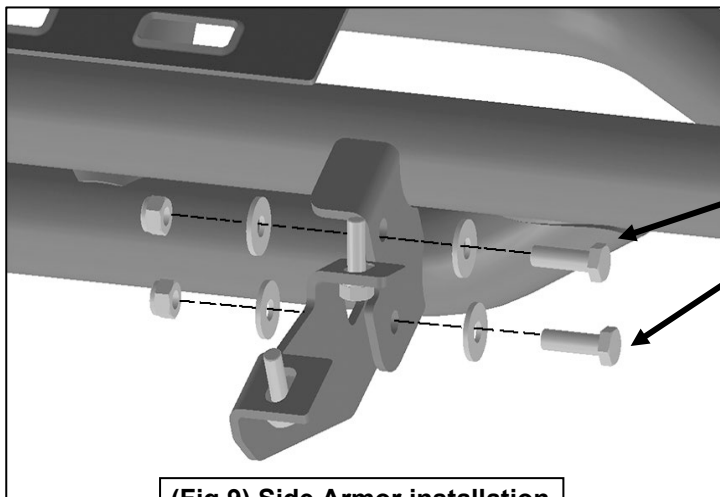
(Fig 6) Passenger/Right Rear mounting Bracket installation



(Fig 7) Passenger/Right Center Mounting Bracket installed



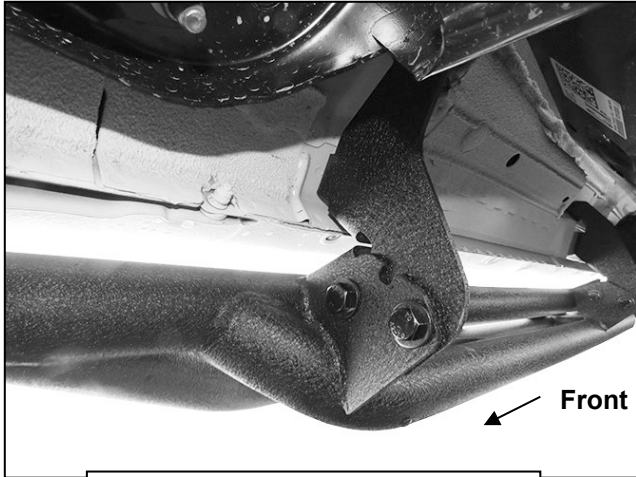
(Fig 8) Passenger/Right Rear Mounting Bracket installed



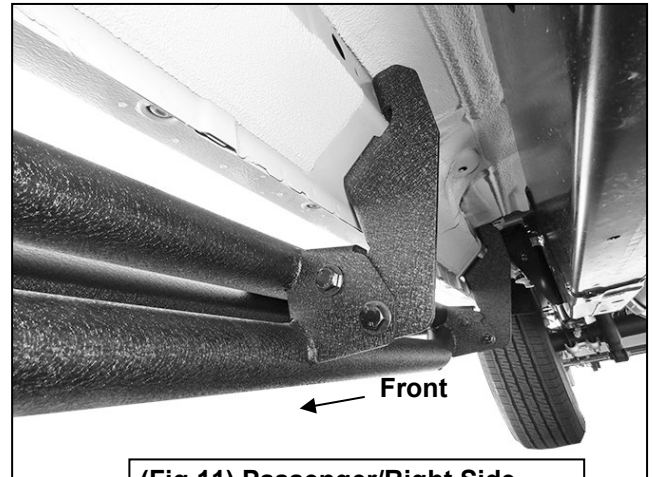
(Fig 9) Side Armor installation

- (2) 10mm x 35mm Hex Bolts
- (4) 10mm Flat Washers
- (2) 10mm Nylon Lock Nuts

Passenger/Right side Installation Pictured



**(Fig 10) Passenger/Right Side
Armor attached to Front Bracket**



**(Fig 11) Passenger/Right Side
Armor attached to Center Bracket**



**(Fig 12) Passenger/Right Side
Armor attached to Rear Bracket**