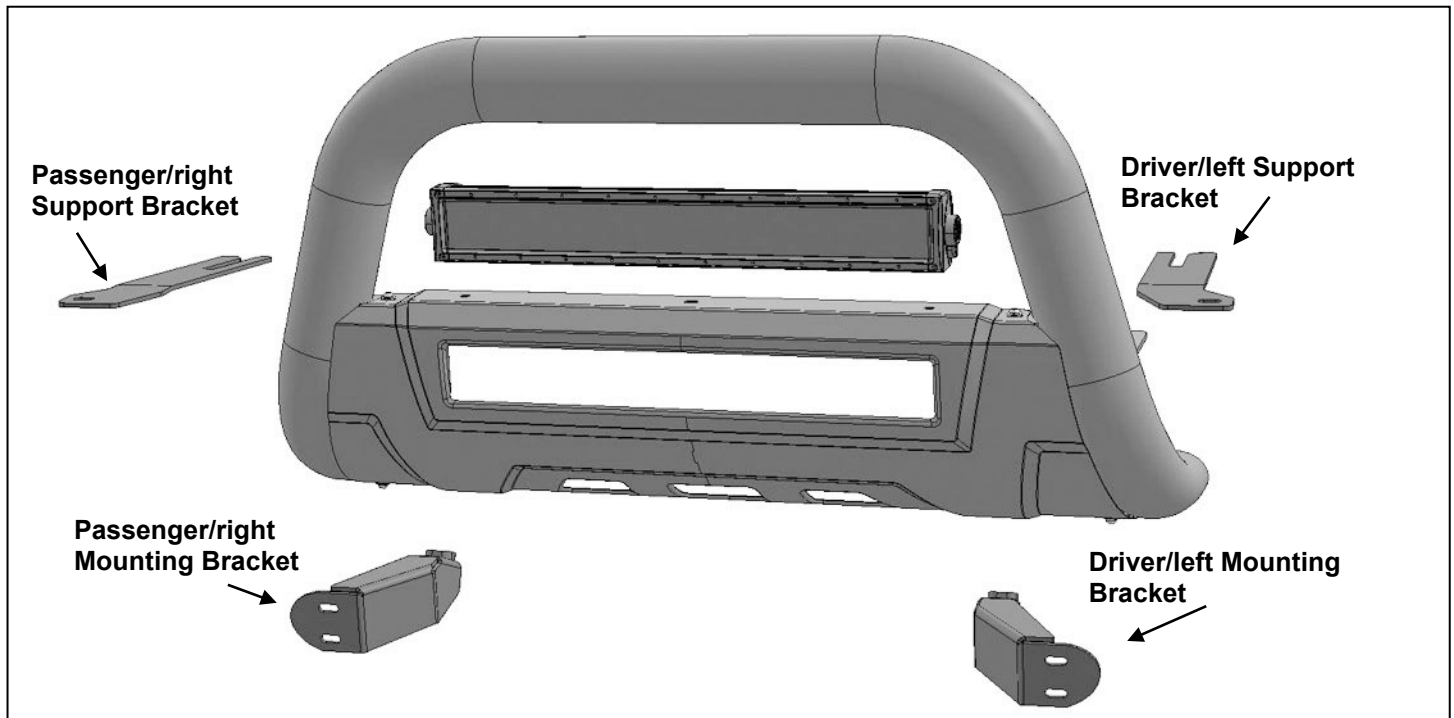


PARTS LIST:

1	3.5in Bull Bar	6	10mm x 30mm OD x 2.5 mm Flat Washers
1	20" LED Bar Style Light	2	10mm Lock Washers
1	Driver/left Frame Bracket	2	10-1.5mm Nylon Lock Nuts
1	Passenger/Right Frame Bracket	4	8-1.25mm x 35mm Hex Bolts
1	Driver/left Upper Support Bracket	2	8-1.25mm x 16mm Hex Bolts
1	Passenger/Right Upper Support Bracket	2	8mm x 24mm x 2mm Flat Washers
2	10-1.5mm x 40mm Hex Bolts	4	8mm x 22mm x 2mm Flat Washers
2	10-1.5mm x 30mm Hex Bolts	6	8mm Lock Washers


PROCEDURE:

REMOVE CONTENTS FROM BOX AND VERIFY ALL PARTS ARE PRESENT. READ INSTRUCTIONS CAREFULLY. CUTTING MAY BE REQUIRED. INSTALLATION MAY INTERFERE WITH FRONT MOUNTED SENSORS.

1. Start installation from under the front of the vehicle. Remove the splash guard from below the bumper, **(Figure 1)**.
2. Determine if the vehicle is equipped with plastic bumper cover or steel option bumper.

Models with plastic bumper cover:

- a. Remove the plastic cover surrounding the driver/left tow hook, **(Figure 2)**. **NOTE:** Cover cannot be reinstalled.
- b. Loosen the (2) hex bolts attaching the tow hook to the bottom of the frame, **(Figure 2)**. **IMPORTANT;** Do not remove the hex bolts, only loosen.
- a. Select the driver/left Upper Support Bracket, **(Figure 2)**. **NOTE:** Bracket will feature a slight upward bend.
- b. Insert the Support Bracket through the gap between the bottom of the frame and the top of the tow hook, **(Figure 3)**. Do not fully tighten hardware at this time.
- c. Repeat the previous Steps to install the passenger/right Support Bracket.

Models with optional steel bumper:

- a. Remove the driver/left side cover surrounding the tow hook from the bumper, **(Figures 4 & 5)**.
- b. Loosen the (2) hex bolts attaching the splash guard bracket to the bottom of the frame, **(Figure 6)**. **IMPORTANT;** Do not remove the hex bolts, only loosen.

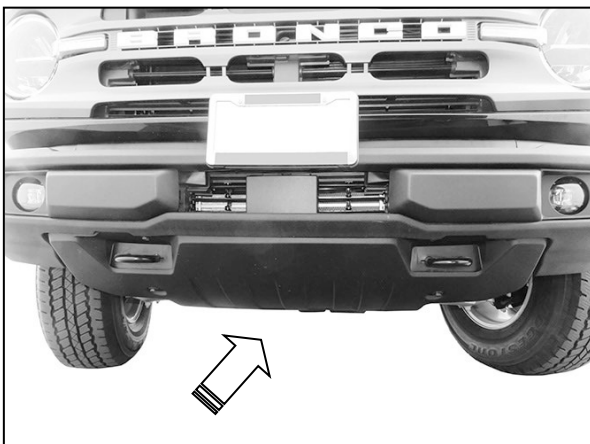
- c. Select the driver/left Upper Support Bracket.
 - d. Insert the Support Bracket through the opening between the bottom of the tow hook and the bumper, **(Figure 6)**. Slide the end of the Bracket between the splash guard bracket and the bottom of the frame. Do not fully tighten hardware at this time.
 - e. Reinstall the cover surrounding the tow hook.
 - f. Repeat the previous Steps to install the passenger/right Support Bracket.
3. All models, reinstall the lower splash guard.
 4. Select the driver/left Frame Mounting Bracket, **(Figure 7)**.
 5. Hold the Bracket up to the bottom of the splash guard. Line up the hole in the Bracket with the mounting bolt hole for the splash guard. Attach the Bracket to the splash guard with (1) 10mm x 40mm Hex bolt, (1) 10mm Lock Washer and (1) 10mm Flat Washer, **(Figures 8 & 9)**. Leave hardware loose. Repeat this Step to attach the passenger/right Frame Bracket.
 6. Carefully unwrap the Bull Bar.
 7. **Center LED Light Installation, (LED Light Bar Included):**
 - a. Attach the LED Light Bar to the back of the Bull Bar using the included (2) 8mm x 16mm Hex Bolts, (2) 8mm Lock Washers and (2) 8mm x 24mm Flat Washers, **(Figure 10)**.
 8. With assistance, hold the Bull Bar in position up to the Mounting Brackets. Attach the driver/left end of the Bull Bar to the lower Mounting Bracket with the included (2) 8mm x 35mm Hex Bolts, (2) 8mm Lock Washers and (2) 8mm x 22mm Small Flat Washers, **(Figures 11 & 12)**. Center the flange on the Bracket with the tube and snug but do not fully tighten hardware.
 9. Attach the tab on the back of the driver/left side of the Bull Bar to the underside of the upper Support Bracket with (1) 10mm x 30mm Hex Bolt, (2) 10mm Flat Washers and (1) 10mm Nylon Lock Nut, **(Figures 13 & 14)**. Do not tighten hardware at this time.
 10. Repeat **Steps 8 & 9** to attach the passenger/right side of the Bull Bar.
 11. Check the Bull Bar alignment with the vehicle and for clearance between the Bull Bar, light and the bumper. Adjust as required then fully tighten all hardware at this time.
 12. Do periodic inspections to the installation to make sure that all hardware is secure and tight.

To protect your investment, wax this product after installing. Regular waxing is recommended to add a protective layer over the finish. Do not use any type of polish or wax that may contain abrasives that could damage the finish.

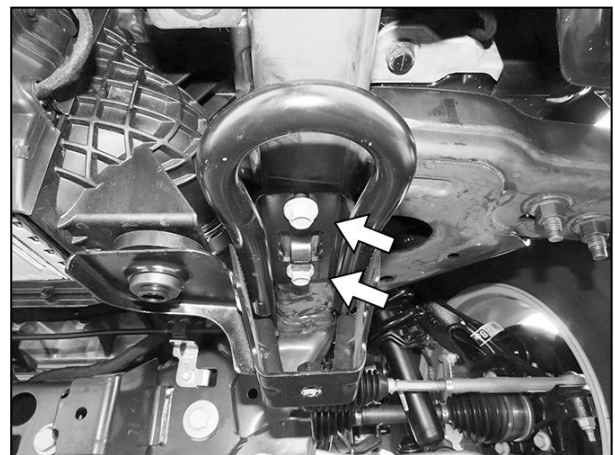
For stainless steel: Aluminum polish may be used to polish small scratches and scuffs on the finish. Mild soap may be used also to clean the Bull Bar.

For gloss black finishes: Mild soap may be used to clean the Bull Bar.

Driver/left Side Installation Pictured

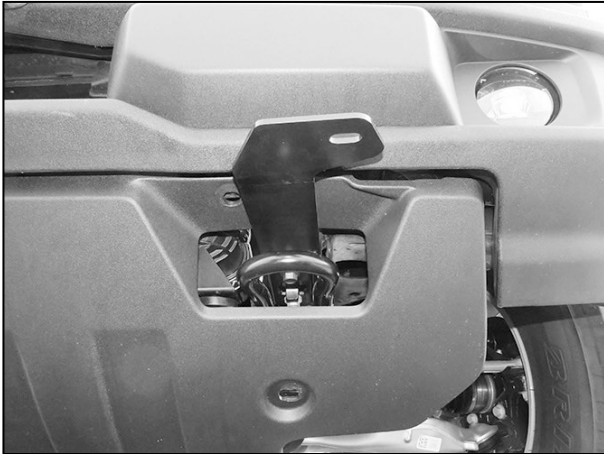


(Fig 1) Example of model with plastic bumper cover. Remove splash guard (arrow)



(Fig 2) Remove plastic cover surrounding tow hook. Loosen tow hook bolts (arrows)

Driver/left Side Installation Pictured



(Fig 3) Models with plastic bumper cover, insert driver/left Support Bracket between frame and tow hook. Reinstall splash guard



(Fig 4) Model with steel bumper, remove cover from bumper (driver/left side pictured)

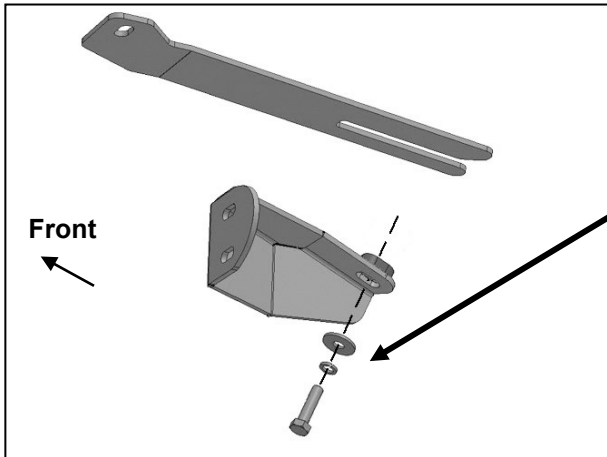


(Fig 5) Remove cover surrounding tow hook



(Fig 6) Models with steel bumper, insert Support Bracket between tow hook and opening in bumper. Attach end of Bracket to bottom of frame and splash guard bracket

Driver/left Side Installation Pictured

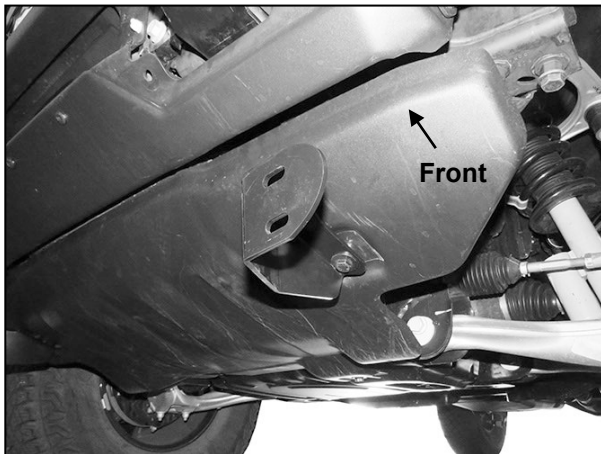


10mm x 40mm Hex Bolt
10mm Lock Washer
10mm Flat Washer

(Fig 7) Attach driver/left Mounting Bracket and Spacer to outside of splash guard

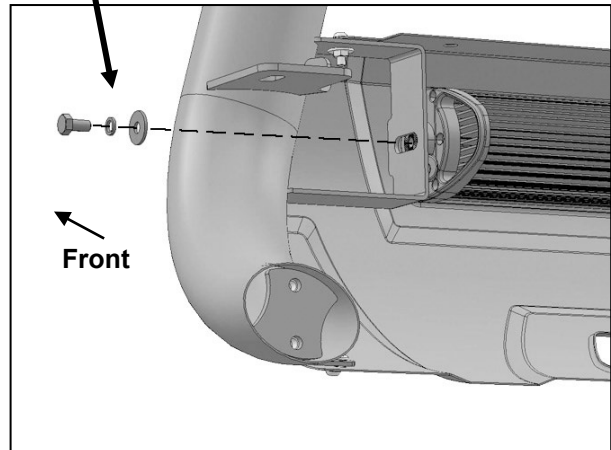


(Fig 8) Driver/left side Mounting Bracket attached to model with plastic bumper



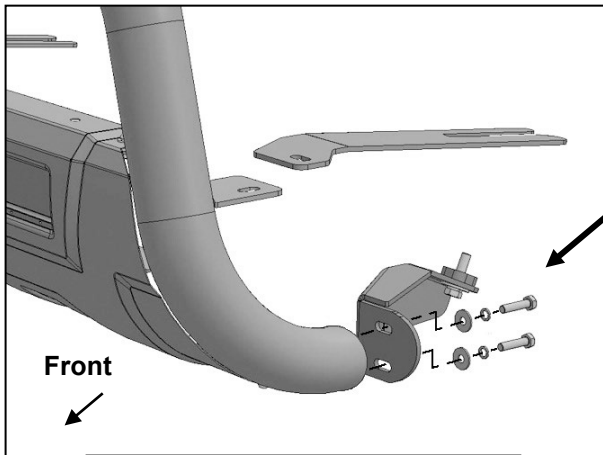
(Fig 9) Attach Mounting Bracket to splash guard. Driver/left side of model with steel bumper pictured

8mm x 16mm Hex Bolt
8mm Lock Washer
8mm x 24mm Flat Washer



(Fig 10) Example of LED Light installation

Driver/left Side Installation Pictured

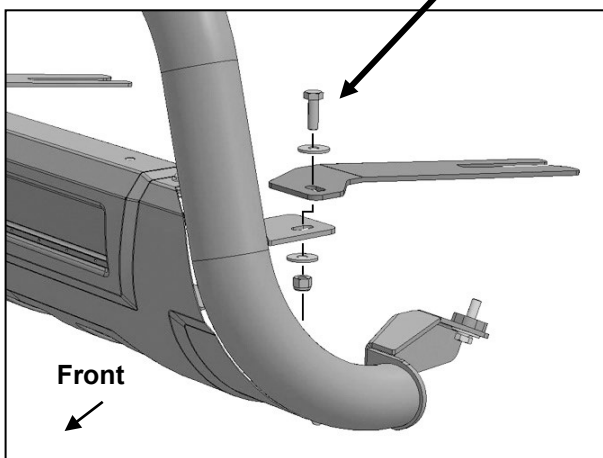


- (2) 8mm x 35mm Hex Bolts
- (2) 8mm Lock Washers
- (2) 8mm x 22mm Flat Washers

(Fig 11) Attach driver/left end of Bull Bar to Mounting Bracket



(Fig 12) Driver/left side of Bull Bar attached to Bracket



- 10mm x 30mm Hex Bolt
- (2) 10mm Flat Washers
- 10mm Lock Nut

(Fig 13) Attach tab on driver/left side of Bull Bar to bottom of Support Bracket



Complete Installation